

TO: **All Participating Bidders**

PROJECT: **IMPROVEMENT OF TOURISM MANAGEMENT BUILDING (FORMERLY LABORATORY HIGH SCHOOL)**

REFERENCE: **BAC-ITB No. QSU-BAC-J-01A-2025**

SUBJECT: **SUPPLEMENTAL BID BULLETIN**

Date: **December 10, 2025**

This Supplemental Bid Bulletin is to notify all prospective bidders for the revision of technical specifications for the following items that were discussed during the Pre-Bid Conference held last December 02, 2025 @ 9:20AM for the procurement of **IMPROVEMENT OF TOURISM MANAGEMENT BUILDING (FORMERLY LABORATORY HIGH SCHOOL)** for CY 2025 with an ABC of **Thirty-Four Million Three Hundred Thousand (₱ 34,300,000.00) only.**

A. Revision of Technical Specifications

ORIGINAL BOQ				NEW BOQ		
ITEM	DESCRIPTION	QTY	UNIT	QTY	UNIT	REMARKS
1	Site Development, Soil Poisoning, and Earthworks			2,800.00	cum	No change
2	Concrete works			620.07	cum	Change in unit.
3	Masonry works			3,760.00	sqm	Change in Qty.
4	Tiling works			1,809.00	sqm	No change
5	Steel Works			1.00	ls	No change
6	Sewerline and Waterline			1.00	ls	No change
7	Doors and windows			1.00	ls	Change in unit. (D3 & D4)
8	Painting works			5,156.00	sqm	No change
9	Cladding and Carpentry works			1.00	ls	No change
10	Formworks and Scaffolding			1.00	ls	No change
11	Septic Tank			1.00	ls	No change
12	Plumbing Fixtures			1.00	ls	No change
13	Electrical System			1.00	ls	No change
14	Project Billboards/Signboard			1.00	ls	No change
15	Occupational Safety and Health Program			1.00	ls	No change
16	Permit and Clearances			1.00	ls	No change

VISION

The leading center for academic and technological excellence and prime catalyst for a progressive and sustainable Quirino Province and Southern Cagayan Valley.

MISSION

Develop competent and morally upright professionals and generate appropriate knowledge and technologies to meet the needs of Quirino Province and Southern Cagayan Valley.

"Molding Minds, Shaping Future"

DESCRIPTION OF MATERIALS

OLD BOM

Unglazed Tiles

Wall tiles

NEW BOM

Unglazed Tiles, 30cm x 30cm

Wall tiles, 30cm x 30cm

Additionally, the unit for D3 and D4 in Item No. 7 of the Detailed Unit Price Analysis was changed from lump sum to square meter.

Furthermore, this bulletin includes the queries received from a prospective bidder on December 5, 2025, which were addressed by the BAC, the BAC Secretariat, and the TWGs, to wit:

Questions	Respond
<p>1. We respectfully note that the BOQ provided by the Procuring Entity contains only the list of pay items and does not indicate the corresponding quantities and units for each of the described pay items, which are typically included to guide bidders in preparing their financial proposals.</p> <p>Please confirm whether the Procuring Entity intends to issue a revised or supplemental BOQ containing the necessary price-related information.</p>	<p>A revision will be provided showing the quantities and units on the BOQ in the bid bulletin.</p>
<p>2. Please clarify whether we are required to comply and submit the Detailed Unit Price Analysis (unpriced) included in the Bid Documents. We would also appreciate confirmation on whether our responsibility is limited to providing our proposed prices.</p>	<p>Yes, required. Items in DUPA are the minimum required.</p>
<p>3. We likewise wish to submit our comments and request further information regarding the following items included in your Unpriced Detailed Unit Price Analysis:</p> <p>a. Site Development, Soil Poisoning, and Earthworks (Qty = 2,800 cu.m)</p> <ul style="list-style-type: none"> • What is the area allocated for Clearing and Grubbing? • What is the volume required 	<p>Refer to drawings Architectural 3, Structural 1</p> <p>Refer to drawings Architectural 3, Structural 1,</p>

VISION

The leading center for academic and technological excellence and prime catalyst for a progressive and sustainable Quirino Province and Southern Cagayan Valley.

MISSION

Develop competent and morally upright professionals and generate appropriate knowledge and technologies to meet the needs of Quirino Province and Southern Cagayan Valley.

“Molding Minds, Shaping Future”

<p>for Structure Excavation?</p> <ul style="list-style-type: none"> • What is the volume required for Backfilling? • What type of soil is specified under "materials, embankment from borrow"? • What is the area to be treated with Anti-Termite Pesticide? 	<p>5, 7, 8</p> <p>Refer to drawings Architectural 3, Structural 1, 5, 7, 8</p> <p>Suitable Material</p> <p>Refer to drawings Architectural 3, Structural 1</p>
<p>b. Concrete Works (Qty = 620.07 CU.m)</p> <ul style="list-style-type: none"> • For which structural elements will the Deformed Reinforcing Steel Grade 60/Grade 40 (1 OmmØ) be used? • What is the effective width of the steel deck to be used? Will the steel deck function as reinforcement or as formwork? If it will serve as reinforcement, additional detailed specifications/descriptions are required. • What is the grade and required length of the 12mm round bar / 10mm DRB listed in the materials under this pay item? • What is the grade and required length of the 12mm diameter bar listed under "Concrete Ramp" for this pay item? • Which structural elements will be poured using Ready-Mix Concrete (4000 psi)? What are the strength requirements for the 	<p>SG 60 – All except stirrup (SG 40)</p> <p>Refer to drawings structural 7 & 8</p> <p>Length – 6m (Grade 40)</p> <p>Length – 6m (Grade 60)</p> <p>Refer to General Notes and specification.</p>

VISION

The leading center for academic and technological excellence and prime catalyst for a progressive and sustainable Quirino Province and Southern Cagayan Valley.

MISSION

Develop competent and morally upright professionals and generate appropriate knowledge and technologies to meet the needs of Quirino Province and Southern Cagayan Valley.

"Molding Minds, Shaping Future"

<p>remaining elements.</p> <ul style="list-style-type: none"> The plan indicates 8mmØ ties; however, this is not specified in the DUPA <p>c. Masonry Works (Qty = 2,160 sq.m)</p> <ul style="list-style-type: none"> What is the required compressive strength of the Non-Load Bearing CHB? Is material testing required? We note that DPWH Specs Vol. III (2019) require 500 psi per unit and an average of 600 psi for 3 units values that most commercially available blocks in the area may not meet. What is the total area to be plastered, and what type of finish is required (rough/smooth, etc.)? What is the grade of the 12mmØ DRB? <p>d. Tile Works</p> <ul style="list-style-type: none"> No tile accessories are included in the materials list. What are the dimensions (sizes) of the other tiles to be used? <p>e. Steel Works</p> <ul style="list-style-type: none"> The descriptions for the 2" / 1 h" stainless steel pipe, 2" x 2" angle bar, and the perforated metal do not specify the required thickness. <p>f. Sewer Line / Water Line</p> <ul style="list-style-type: none"> Kindly provide the complete specifications of the 4,000L 	<p>Should be 10mm in the drawing structural 8.</p> <p>Yes, charge to OCM-Miscellaneous Expenses and other tests, 500 psi</p> <p>2160, smooth. Correction for the quantity of masonry works: Total area must be 3760 sq.m. (including CHB)</p> <p>G40</p> <p>None</p> <p>30cm X 30cm</p> <p>1.5mm</p> <p>Stainless Steel Cylindrical</p>
---	---

VISION

The leading center for academic and technological excellence and prime catalyst for a progressive and sustainable Quirino Province and Southern Cagayan Valley.

MISSION

Develop competent and morally upright professionals and generate appropriate knowledge and technologies to meet the needs of Quirino Province and Southern Cagayan Valley.

"Molding Minds, Shaping Future"

<p>stainless water tank.</p> <ul style="list-style-type: none"> The materials listed for the catch basin do not include coarse aggregates. <p>g. Doors and Windows</p> <ul style="list-style-type: none"> Please verify the units/quantities of D3 and D4. <p>h. Painting Works</p> <ul style="list-style-type: none"> No painting materials are listed for the structural steel sections (columns and beams). <p>i. Cladding and Carpentry Works</p> <ul style="list-style-type: none"> No descriptions or specifications are provided for the mechanical chairs and lighting fixtures. <p>j. Septic Tank</p> <ul style="list-style-type: none"> What is the required compressive strength of the 4" CHB? What is the grade of the 10mm diameter reinforcing bar? The materials list does not include coarse aggregates for the concrete requirements (bottom and top slab), as 	<p>Water Storage Tank (Horizontal), Dia- 161cm, Length-206cm, Height - 198cm</p> <p>Use good mix</p> <p>Same quantity in square meters</p> <p>No item/material included</p> <p>It is a cabin room plane-like design with: 25 plane mechanical chairs -Fix: Bolted -Leather -Reclining Recessed-type lighting fixtures -12W -LED Pinlight -Matte white finish</p> <p>500psi</p> <p>G40</p> <p>Use good mix</p>
---	---

VISION

The leading center for academic and technological excellence and prime catalyst for a progressive and sustainable Quirino Province and Southern Cagayan Valley.

MISSION

Develop competent and morally upright professionals and generate appropriate knowledge and technologies to meet the needs of Quirino Province and Southern Cagayan Valley.

"Molding Minds, Shaping Future"

<p>well as all formwork materials.</p> <ul style="list-style-type: none"> • Will the walls require plastering and/or waterproofing? • The materials list does not include the necessary pipe fittings. <p>k. Occupational Safety and Health Program Section 17 of DOLE Department Order No. 13, Series of 1998, states that the total cost of implementing a Construction Safety and Health Program shall be a mandatory, integral part of the project's construction cost as a separate pay item, duly quantified and reflected in the Tender Documents and the Construction Contract Documents.</p> <p>The following should therefore be included under this pay item:</p> <ol style="list-style-type: none"> Adequate sanitary and washing facilities (mess/rest area) Adequate supply of safe drinking water Safety Officer First Aider Perimeter Fence <p>l. Waterproofing</p> <ul style="list-style-type: none"> • The architectural plans show waterproofing for the roof deck; however, this is not included in the DUPA <p>m. Plans</p> <ul style="list-style-type: none"> • Are the fire exit stairs on the left and right wings included 	<p>Yes, require plastering inner wall</p> <p>Included in Item 6</p> <p>There is a pay item, OSHP. Adequate sanitary and washing facilities, and an adequate supply of safe drinking water should be under the contractor's responsibility. However, the university has a potable water system and rooms that can be used by the workers as long as you provide sub sub-meter for the basis of consumption later on.</p> <p>Safety Officer/First Aider is already considered in OCM.</p> <p>The location is an isolated area and does not necessarily require the installation of a perimeter fence.</p> <p>Waterproofing was indicated in the plan, but as of now no budget for that. So, this will be for "Future works" to be done.</p>
--	---

VISION

The leading center for academic and technological excellence and prime catalyst for a progressive and sustainable Quirino Province and Southern Cagayan Valley.

MISSION

Develop competent and morally upright professionals and generate appropriate knowledge and technologies to meet the needs of Quirino Province and Southern Cagayan Valley.

"Molding Minds, Shaping Future"

<p>in the building construction? If yes, they must be shown in the foundation plan with all necessary structural and architectural details.</p> <ul style="list-style-type: none"> • Please provide the architectural and structural details of the ramp. • The plans include a space labeled "HOTEL LOUNGE." Please confirm whether the building is intended for a school or a hotel. • There are several coordination issues/discrepancies between drawings, including: <ul style="list-style-type: none"> - Architectural Plan Nos. 1, 3 & 7: Exit stair to roof deck shown on the right side in the perspective, but on the left side in the front elevation. In the Ground Floor Plan, the leftmost side is Grid 1 , while in the Front Elevation it shows Grid 13 - Structural Plan No. 8 & Architectural Plan Nos. 3/4/5: Stair section details do not correspond with stair plans - Structural Plan No. 8 — Rafter Section: Please clarify which portion of the building requires a rafter. The listed 8mm diameter pedestal tie and steel sections in this sheet 	<p>Yes, refer to DUPA Item #6</p> <p>For future works, to be provided.</p> <p>Laboratory and Academic</p> <p>Architectural Sheet 1 is the correct Grid to follow.</p> <p>For adjustment in the actual construction.</p> <p>Should be 10 mm</p>
--	--

VISION

The leading center for academic and technological excellence and prime catalyst for a progressive and sustainable Quirino Province and Southern Cagayan Valley.

MISSION

Develop competent and morally upright professionals and generate appropriate knowledge and technologies to meet the needs of Quirino Province and Southern Cagayan Valley.

"Molding Minds, Shaping Future"

<p>are not reflected in the DUPA.</p> <ul style="list-style-type: none"> - No details for the canopy are provided - Connection details for steel columns and beams are incomplete. - Pedestal details in Structural Plan No. 1 are not coordinated with the Schedule of Footing Reinforcement Table in Structural Plan No. 5. <p>n. Specification</p> <p>The downloadable bid documents do not include a copy of the project specifications, Page 12 of the Structural Plans states that the Construction Specifications are based on the 1995 DPWH Standard Specifications for Public Works Structures Volume II & Volume III, but these are not included on the downloadable files. In addition, there is already a newer 2019 Volume III. Which version should be used? A copy of the required specifications should be included in the bid documents</p>	<p>The Canopy is 0.60m wide with a 10mm RSB spaced at 0.20m both ways.</p> <p>See structural drawings</p> <p>Follow structural plan 5</p> <p>Specifications shall be provided</p>
---	---

I hereby certify to comply with all the above Technical Specifications.

Name of Company/Bidder

Signature Over Printed Name
of Representative

Date

VISION

The leading center for academic and technological excellence and prime catalyst for a progressive and sustainable Quirino Province and Southern Cagayan Valley.

MISSION

Develop competent and morally upright professionals and generate appropriate knowledge and technologies to meet the needs of Quirino Province and Southern Cagayan Valley.

"Molding Minds, Shaping Future"

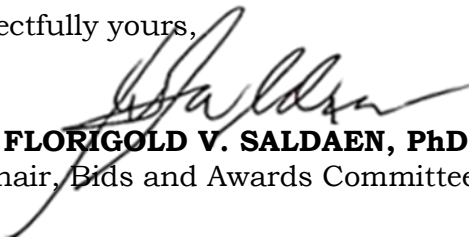
B. Resumption of Procurement Activities

Procurement Activities	From	To
Submission of Bids and Opening of Bids	December 15, 2025 8:00AM	December 17, 2025 8:00AM

Should there be further changes, another bid bulletin shall be made.

This shall form an integral part of the Bid Documents for the above-mentioned project. For the guidance and information of all concerned.

Respectfully yours,



FLORIGOLD V. SALDAEN, PhD
Chair, Bids and Awards Committee

VISION

The leading center for academic and technological excellence and prime catalyst for a progressive and sustainable Quirino Province and Southern Cagayan Valley.

MISSION

Develop competent and morally upright professionals and generate appropriate knowledge and technologies to meet the needs of Quirino Province and Southern Cagayan Valley.

"Molding Minds, Shaping Future"

Standard Form Number: SF-INFR-09

BILL OF QUANTITIES

ITEM	DESCRIPTION	QTY	UNIT	UNIT COST	AMOUNT
1	Site Development, Soil Poisoning, and Earthwork	2,800.00	cum		
2	Concrete works	620.07	cum		
3	Masonry works	3,760.00	sqm		
4	Tiling works	1,809.00	sqm		
5	Steel Works	1.00	ls		
6	Sewerline and Waterline	1.00	ls		
7	Doors and windows	1.00	ls		
8	Painting works	5,156.00	sqm		
9	Cladding and Carpentry works	1.00	ls		
10	Formworks and Scaffolding	1.00	ls		
11	Septic Tank	1.00	ls		
12	Plumbing Fixtures	1.00	ls		
13	Electrical System	1.00	ls		
14	Project Billboards/Signboard	1.00	ls		
15	Ocupational Safety and Health Program	1.00	ls		
16	Permit and Clearances	1.00	ls		
Submitted by:		TOTAL	In Words		
Bidder's Name & Signature			In Figures		
Position					
Date					

DETAILED UNIT PRICE ANALYSIS

Improvement of Tourism Management Building (Formerly Laboratory High School)
Location: QSU-Main Campus, Diffun, Quirino

Item No. : I Quantity = 2800.00
 Description : Site Development, Soil Poisoning and Earthworks Unit = cu.m.

A Name and Capacity of Equipment (Operator)	No. of Unit	No. of Hours			Total Cost (Pesos)
Equipment					
Clearing and Grubbing Layout					
Dump Truck (12 yd ³) (per hour rate)	1	8			-
					-
Structure Excavation					
Dump Truck (12 yd ³) (per hour rate)	1	240			-
Backhoe (0.80 m ³) (per hour rate)	1	124			-
					-
Gravel Fill					
Plate Compactor (5hp)	1	40			-
					-
Backfilling					
Plate Compactor (5hp)	1	40			-
Dump truck	1	16			-
Backhoe	1	16			-
					-
					-
A. SUB-TOTAL , EQUIPMENT					P -
B Designation of Personnel					
	No. of Men	No. of Day	Unit Rate/Day	Total Cost (Pesos)	
Clearing and Grubbing Layout					
Construction Foreman	1.00	5.00			-
Skilled	4.00	5.00			-
Laborer	2.00	5.00			-
					-
Structure Excavation AND Backfill					
Construction Foreman	1.00	7.00			-
Skilled	3.00	7.00			-
Laborer	6.00	7.00			-
					-
Gravel Fill					
Construction Foreman	1.00	5.00			-
Skilled	1.00	5.00			-
Laborer	3.00	5.00			-
					-
					-
B. SUB-TOTAL, LABOR					P -
C. Name and Description					
	Qty	Unit	Unit Cost	Total Cost (Pesos)	
Materials:					
Gravel Bedding	60.00	cum		-	
Soil	1240	cum		-	
Anti termite Pesticide	12	lit		-	
				-	
C. SUB-TOTAL, MATERIAL				P -	
SUMMARY:					
A Equipment				P -	
B Labor				-	
C Materials				-	
D TOTAL DIRECT COST				-	
DIRECT UNIT COST				-	
E OCM 9%	9%	of D		-	
F Profit 8%	8%	of D		-	
G VAT 5%	5%	of (D+E+F)		-	
H Total Cost				(D+E+F+G) -	
I Unit Cost				H/Quantity P -	

DETAILED UNIT PRICE ANALYSIS

Improvement of Tourism Management Building (Formerly Laboratory High School)

Location: QSU-Main Campus, Diffun, Quirino

Item No. : II
Description : Concrete Works

Quantity = 620.07
Unit = cum

A Name and Capacity of Equipment (Operated)	No. of Unit	No. of Hour	Unit cost	Total Cost (Pesos)
Equipment				
Concrete Vibrator	2	440		-
Pumpcrete	1	60		-
Bar Cutter	2	80		-
Bar Bender	2	80		-
Welding machine	2	160		-
A. SUB-TOTAL , EQUIPMENT				P -
B Designation of Personnel	No. of Men	No. of Days	nit Rate/Day	Total Cost (Pesos)
Labor				
Construction Foreman	1	25.00		-
Skilled	8	25.00		-
Laborer	16	25.00		-
B. SUB-TOTAL, LABOR				P -
C. Name and Description	Qty	Unit	Unit Cost	Total Cost (Pesos)
Materials				
Ready mix Concrete (4000psi)	583.62	cum		-
Deformed Reinforcing Steel Grade 60 (20mmø)	12491.2	kgs		-
Deformed Reinforcing Steel Grade 60 (16mmø)	8144.2	kgs		-
Deformed Reinforcing Steel Grade 60 (10mmø)	1313.5	kgs		-
Deformed Reinforcing Steel Grade 40 (10mmø)	3330	kgs		-
#16 Galvanized Iron wire @25kg	1000	kgs		-
Steel Deck 0.8mm Thk	1700	ln.m		-
12mm Round Bar	1050	pcs		-
10mm Drb	4650	pcs		-
Welding Rod	6	box		-
Concrete Ramp				
a. Bags of Cement	330	bags		-
b. Sand	20	cu.m		-
c. Gravel	40	cu.m		-
d. 12mm dia	275	pcs		-
C. SUB-TOTAL, MATERIAL				P -
SUMMARY:				
A	Equipment			P -
B	Labor			-
C	Materials			-
D	TOTAL DIRECT COST			-
	DIRECT UNIT COST			-
E	OCM	9%	of D	-
F	Profit	8%	of D	-
G	VAT	5%	of (D+E+F)	-
H	Total Cost		(D+E+F+G)	-
I	Unit Cost		H/Quantity	P -

DETAILED UNIT PRICE ANALYSIS

Improvement of Tourism Management Building (Formerly Laboratory High School)
Location: QSU-Main Campus, Diffun, Quirino

Item No. : III
 Description : Masonry Works

Quantity = 3760.00
 Unit = sqm

A Name and Capacity of Equipment (Operated)	No. of Units	No. of Days	Init Rate/Day	Total Cost (Pesos)
One Bagger Mixer	2	20.00		-
A. SUB-TOTAL , EQUIPMENT				P -
B Designation of Personnel	No. of Men	No. of Days	Init Rate/Day	Total Cost (Pesos)
Labor				
Construction Foreman	1	45.00		-
Skilled	8	45.00		-
Laborer	12	45.00		-
B. SUB-TOTAL, LABOR				P -
C. Name and Description	Qty	Unit	Unit Cost	Total Cost (Pesos)
Materials				
100mm thk CHB (Non-Load Bearing)	22,000.00	pcs		-
Cement	1,300.00	bags		-
Sand	80.00	cu.m		-
12mmø DRB	1,539.00	pcs		-
#16 Tie Wire	101.00	kg		-
Plastering				
Cement	500.00	bags		-
Sand	80.00	cu.m		-
C. SUB-TOTAL, MATERIAL				P -
SUMMARY:				
A	Equipment			P -
B	Labor			-
C	Materials			-
D	TOTAL DIRECT COST			-
	DIRECT UNIT COST			-
E	OCM	9%	of D	-
F	Profit	8%	of D	-
G	VAT	5%	of (D+E+F)	-
H	Total Cost		(D+E+F+G)	-
I	Unit Cost		H/Quantity	P -

DETAILED UNIT PRICE ANALYSIS

**Improvement of Tourism Management Building (Formerly Laboratory High School)
Location: QSU-Main Campus, Diffun, Quirino**

Item No. : IV
Description : Tiling works

Quantity = 1809.00
Unit = sq.m.

A Name and Capacity of Equipment (Open)					No. of Units	No. of Days	nit Rate/Day	Total Cost (Pesos)
Tile Cutter					3.00	20.00		-
A. SUB-TOTAL , EQUIPMENT								P -
B Designation of Personnel				No. of Men	No. of Day	nit Rate/Day	Total Cost (Pesos)	
Construction Foreman				1		30.00	-	
Skilled				5		30.00	-	
Laborer				10		30.00	-	
B. SUB-TOTAL, LABOR								P -
C. Name and Description		Qty	Unit	Unit Cost	Total Cost (Pesos)			
Materials								
Granite Tiles (60x60)		3700	pcs		-			
Cement		93	bags		-			
Sand		51	cu.m		-			
Tile Grout		100	bag/2kg		-			
Tile Adhesive		115	bag/25kg		-			
Comfort rooms								
Unglazed Tiles, 30cm x 30cm		1300	pcs		-			
Wall tiles, 30cm x 30cm		4000	pcs		-			
Cement		25	bags		-			
Sand		10	cu.m		-			
Tile Grout		10	bag/2kg		-			
Tile Adhesive		28	bag/25kg		-			
C. SUB-TOTAL, MATERIAL								P -
SUMMARY:								
Equipment							P	-
Labor								-
Materials								-
TOTAL DIRECT COST								-
DIRECT UNIT COST								-
OCM		9%	of D		-			
Profit		8%	of D		-			
VAT		5%	of (D+E+F)		-			
A	Total Cost		(D+E+F+G)		-			
B	Unit Cost		H/Quantity		P	-		

DETAILED UNIT PRICE ANALYSIS

**Improvement of Tourism Management Building (Formerly Laboratory High School)
Location: QSU-Main Campus, Diffun, Quirino**

Item No. : V
Description : Steel works

Quantity = 1.00
Unit = ls

A Name and Capacity of Equipment (Operated)	No. of Units	No. of Days	Unit Rate/Day	
Equipment				
Cutting Machine	2	15.00		-
Welding machine	5	15.00		-
10 Tons Crane	2	50.00		-

A. SUB-TOTAL , EQUIPMENT **P** -

B Designation of Personnel	No. of Men	No. of Days	Unit Rate/Day	Total Cost (Pesos)
Construction Foreman	1.00	30.00	-	-
Skilled	5.00	30.00		-
Laborers	10.00	30.00		-

B. SUB-TOTAL, LABOR **P** -

C. Name and Description	Qty	Unit	Unit Cost	Total Cost (Pesos)
Materials				
Ramp Steel Railings				
2" Stainless Steel pipe	355	pcs		-
1-1/2" Stainless Steel pipe	431	pcs		-
Welding Rod Special N-6013 (10kg/bag)	25	kgs		-
Stairs				
2" x 2" Angle Bar	45.00	pcs		-
Perforated Metal	120.00	sheet		-
Welding Rod Special N-6013 (10kg/bag)	2.00	bags		-
Structural Steel Railings				
3mmTHK x 3/4" Thk Steel Flat Bar	1,255.00	pcs		-
2" x 1" x 1.5mm Thk Tubular Steel	735.00	pcs		-
Welding Rod Special N-6013 (10kg/bag)	48.00	kg		-
Structural Steel Beams				
A36 W360 x 110 x 6m (I beam)	230	pcs		-
A36 W460 x 128 x 10.75m (H Beam)	50	pcs		-
Anchor Bolts J-type (31mm) 3/8" x 304.8mm (with washer and nuts) HOT-DIP GALVANIZED	300	pcs		-
A36 Base Plate 558.8mm x 381mm 10mm with 6 holes	50	pcs		-
A325N Beam Connection Bolts - 38.1mm x 3/4" dia bolts w/ washer and nuts (6240pcs - set) HOT-DIP GALVANIZED	6240	pcs		-
A36 Gusset Plates (8 holes per side - total 32 holes) (152.4mm x 320mm x 12.7mm thk) - (780pcs)	780	pcs		-
Base Plate 400mm x 600mm 12mm with 6 holes	50	pcs		-
Welding Rod Special N-6013 (10kg/bag)	200	bag		-
Acetylene Gas Tank (22kg)	100	unit		-

C. SUB-TOTAL, MATERIAL **P** -

SUMMARY:

A	Equipment			P	-
B	Labor				-
C	Materials				-
D	TOTAL DIRECT COST				-
	DIRECT UNIT COST				-
E	OCM	9%	of D		-
F	Profit	8%	of D		-
G	VAT	5%	of (D+E+F)		-
H	Total Cost		(D+E+F+G)		-
I	Unit Cost		H/Quantity	P	-

DETAILED UNIT PRICE ANALYSIS				
Improvement of Tourism Management Building (Formerly Laboratory High School)				
Location: QSU-Main Campus, Diffun, Quirino				
Item No. : VI		Quantity = 1.00		
Description : Sewerline and Waterline		Unit = ls		
A Name and Capacity of Equipment (Operated)	No. of Units	No. of Days	Unit Rate/Day	Total Cost (Pesos)
Equipment				
A. SUB-TOTAL , EQUIPMENT				P -
B Designation of Personnel	No. of Men	No. of Days	Unit Rate/Day	Total Cost (Pesos)
Labor				
Construction Foreman	1.00	20.00	-	-
Painter	2.00	20.00	-	-
Laborer	4.00	20.00	-	-
B. SUB-TOTAL, LABOR				P -
C. Name and Description	Qty	Unit	Unit Cost	Total Cost (Pesos)
Materials				
PVC Drain Pipe,	1	pcs		-
Roof Drain (Dome-Type Strainer)	1	bags		-
PVC, 3" Diameter (for Downspout)	1	cu.m		-
PVC, 3" Elbow (for Downspout)	1	lngth		-
PVC Solvent, 400cc	1	kgs		-
CHB 4" x 8" x 16"	450	pcs		-
Portland Cement	40.00	bags		-
Washed Sand	4.00	cum		-
12mm dia bar x 6.0 m	35.00	pcs		-
#16 GI Tie Wire	3.00	kgs		-
SEWER LINES AND FITTINGS				
Floor Drain Stainless	24.00	pcs		-
100mm dia. PVC Pipe (S1000)	50.00	lngth		-
100mm dia. PVC Elbow	54.00	pcs		-
100mm dia. PVC Wye	54.00	pcs		-
100mm dia. PVC Tee	33.00	pcs		-
100mm dia. PVC P-trap	36.00	pcs		-
100mm dia. PVC Cleanout	54.00	pcs		-
75mm dia. PVC Pipe (S1000)	15.00	pcs		-
75mm dia. PVC Elbow	35.00	pcs		-
75mm dia. PVC Wye	35.00	pcs		-
75mm dia. PVC Tee	35.00	pcs		-
75mm dia. PVC Cleanout	35.00	pcs		-
PVC Solvent, 400cc	10.00	cans		-
WATERLINES AND FITTINGS				
Pe Pipe 1"	1	100/roll		-
Pe Pipe Elbow	2	pcs		-
Pe Pipe Tee	2	pcs		-
Pe Pipe Reducer 1" to 3/4"	2	pcs		-
PPR Pipe Pn25	20	pcs		-
PPR Pn25, Gate Valve	4	pcs		-
PPR Pn25, Elbow Female Threaded	45	pcs		-
PPR Pn25, Tee	45	pcs		-
PPR Pn25, Coupling	50	pcs		-
PPR Pn25, Elbow	10	pcs		-
PPR Pn25, Reducer 1" to pn25	2	pcs		-
PPR Heater	1	unit		-
Brass Close Valve 1"	1	pcs		-
Brass Gate Valve 1"	1	pcs		-
Water Tank 4000L Stainless	1	unit		-
Teflon Tape	5	roll		-
C. SUB-TOTAL, MATERIAL				P -
SUMMARY:				
A	Equipment			P -
B	Labor			-
C	Materials			-

D	TOTAL DIRECT COST			-
	DIRECT UNIT COST			-
E	OCM	9%	of D	-
F	Profit	8%	of D	-
G	VAT	5%	of (D+E+F)	-
H	Total Cost	(D+E+F+G)		-
I	Unit Cost	H/Quantity		P #DIV/0!

DETAILED UNIT PRICE ANALYSIS					
Improvement of Tourism Management Building (Formerly Laboratory High School)					
Location: QSU-Main Campus, Diffun, Quirino					
Item No. : VII		Quantity =		1.00	
Description : Doors and windows		Unit =		ls	
A	Name and Capacity of Equipment (Operated)	No. of Units	No. of Days	Init Rate/Day	Total Cost (Pesos)
A. SUB-TOTAL , EQUIPMENT					P
B	Designation of Personnel	No. of Men	No. of Days	Init Rate/Day	Total Cost (Pesos)
	Labor				
	Construction Foreman	1.00			-
	Skilled	3.00			-
	Laborer	6.00			-
B. SUB-TOTAL, LABOR					P
					-
C.	Name and Description	Qty	Unit	Unit Cost	Total Cost (Pesos)
Materials					
	D1-2.10x1.00m wooden panel door with 0.40m height fixed glass header	24	set/s		-
	D2-2.10x0.60m PVC flush door	13	set/s		-
	D3-2.0.85x2.5m glass door with 0.40m height fixed glass header	4.25	sq,m		-
	D4-2.8x2.6m sliding glass door with 0.40m height fixed glass header	7.28	sq.m.		-
	D5-2.50x0.90m wooden panel door with 0.40m height fixed glass header	1	set/s		-
	D6-2.50x1.00m glass door with 0.40m height fixed glass header	3	set/s		-
	D7-2.80x1.60m sliding glass door with 0.40m height fixed glass header	2	set/s		-
	W1-15 sets-2.25 X 1.80m 9mm THK one way reflective glass with powder coated aluminum frame	60.75	sq.m.		-
	W2-24 sets-3.60 X 1.80m 9mm THK one way reflective glass with powder coated aluminum frame	155.52	sq.m.		-
	W3-24 sets-2.35 X 1.80m 9mm THK fixed glass on Jalousie window	101.52	sq.m.		-
	W4-6 sets-0.60 X 1.80m 9mm THK one way reflective glass with powder coated aluminum frame	6.48	sq.m.		-
	W5-1 sets-3.60 X 2.30m 9mm THK one way reflective glass with special frame fixed type window	8.28	sq.m.		-
	W6-1 sets-2.40 X 2.00m 9mm THK one way reflective glass with powder coated aluminum frame	4.8	sq.m.		-
	W7-3 sets-2.20 X 2.60m 9mm THK one way reflective glass with powder coated aluminum frame	17.16	sq.m.		-
	W8-2 sets-2.40 X 3.30m 9mm THK one way reflective glass with powder coated aluminum frame	15.84	sq.m.		-
	W9-2 sets-2.00 X 0.50m 9mm THK one way reflective glass with powder coated aluminum frame	2	sq.m.		-
	Door lock-quickset	37	pcs.		-
	4" heavy duty hinges with ball bearing	100	pcs.		-
	Steel door jamb	25	pcs.		-
	LF Laminated Plywood including accessories	15.00	pcs		-
	Foldable Partition, Laminated (4m x 7m)	28.00	sqm		-
***includes installation					
C. SUB-TOTAL, MATERIAL					P
					-
A	Equipment				P
B	Labor				-
C	Materials				-

D	TOTAL DIRECT COST			-
	DIRECT UNIT COST			-
E	OCM	9%	of D	-
F	Profit	8%	of D	-
G	VAT	5%	of (D+E+F)	-
H	Total Cost		(D+E+F+G)	-
I	Unit Cost		H/Quantity	P -

DETAILED UNIT PRICE ANALYSIS				
Improvement of Tourism Management Building (Formerly Laboratory High School)				
Location: QSU-Main Campus, Diffun, Quirino				
Item No. : VIII		Quantity = 5,156.00		
Description : Painting works		Unit = sqm		
A Name and Capacity of Equipment (Operated)	No. of Units	No. of Days	Init Rate/Da	Total Cost (Pesos)
A. SUB-TOTAL , EQUIPMENT				P -
B Designation of Personnel	No. of Men	No. of Days	Init Rate/Da	Total Cost (Pesos)
Labor				
Construction Foreman	1.00	18.00	-	-
Skilled	5.00	18.00	-	-
Laborer	10.00	18.00	-	-
B. SUB-TOTAL, LABOR				P -
C. Name and Description	Qty	Unit	Unit Cost	Total Cost (Pesos)
Materials				-
Exterior Painting: 1,234 sq.m.				-
Semi-Gloss Latex (Boysen)	31.00	pails		-
Flat Latex (Boysen)	15.00	pails		-
Wall Putty (Boysen)	9.00	pails		-
Interior Painting: 2,034 sq.m.				-
Semi-Gloss Latex (Boysen)	21.00	pails		-
Flat Latex (Boysen)	5.00	pails		-
Wall Putty (Boysen)	2.00	pails		-
Easytite	4.00	gal		-
Railings and stairs: 490 sq.m.				-
Acrylic Paint (black)	32.00	gal		-
Acrylic Paint (white)	12.00	gal		-
Acrylic Thinner	12.00	gal		-
Metal primer (gray)	16.00	gal		-
Steel deck painting: 1,398 sq.m.				-
Acrylic Paint	47.00	gal		-
Acrylic Thinner	18.00	gal		-
Metal primer (gray)	23.00	gal		-
Other materials:				-
Sand Paper	50.00	pcs		-
Masking Tape	10.00	roll		-
Old News Paper	3.00	kls		-
Waste Rag	3.00	kls		-
Paint Roller	20.00	pcs		-
Paint Brush	20.00	pcs		-
C. SUB-TOTAL, MATERIAL				P -
SUMMARY:				
A	Equipment			P -
B	Labor			-
C	Materials			-
D	TOTAL DIRECT COST			-
	DIRECT UNIT COST			-
E	OCM	9%	of D	-
F	Profit	8%	of D	-
G	VAT	5%	of (D+E+F)	-
H	Total Cost		(D+E+F+G)	-
I	Unit Cost		H/Quantity	P -

DETAILED UNIT PRICE ANALYSIS				
Improvement of Tourism Management Building (Formerly Laboratory High School)				
Location: QSU-Main Campus, Diffun, Quirino				
Item No. : IX		Quantity =		1.00
Description : Cladding and Carpentry works		Unit =		ls
A Name and Capacity of Equipment (Operated)	No. of Units	No. of Days	Unit Rate/Day	Total Cost (Pesos)
A. SUB-TOTAL , EQUIPMENT				P -
B Designation of Personnel	No. of Men	No. of Days	Unit Rate/Day	Total Cost (Pesos)
Labor				
Construction Foreman	1.00	20.00	-	-
Skilled	6.00	20.00	-	-
Laborer	6.00	20.00	-	-
B. SUB-TOTAL, LABOR				P -
C. Name and Description	Qty	Unit	Unit Cost	Total Cost (Pesos)
Materials				
Outdoor Cladding and Frames	107.00	sq.m		-
WPC Wall Panels	46.24	sq.m		-
Installation of Cabin room				
* 25 mechanical chairs	1.00	lot		-
* Lighting Fixtures				
C. SUB-TOTAL, MATERIAL				P -
SUMMARY:				
A	Equipment			P
B	Labor			-
C	Materials			-
D	TOTAL DIRECT COST			-
	DIRECT UNIT COST			-
E	OCM	9%	of D	-
F	Profit	10%	of D	-
G	VAT	5%	of (D+E+F)	-
H	Total Cost		(D+E+F+G)	-
I	Unit Cost		H/Quantity	P -

DETAILED UNIT PRICE ANALYSIS				
Improvement of Tourism Management Building (Formerly Laboratory High School)				
Location: QSU-Main Campus, Diffun, Quirino				
Item No. : X		Quantity = 1.00		
Description : Formworks and Scaffolding		Unit = ls		
A Name and Capacity of Equipment (Operated)	No. of Units	No. of Days	Unit Rate/Day	Total Cost (Pesos)
A. SUB-TOTAL , EQUIPMENT				P -
B Designation of Personnel	No. of Men	No. of Days	Unit Rate/Day	Total Cost (Pesos)
Labor				
Construction Foreman	1.00	25.00		-
Skilled	5.00	25.00	-	-
Laborer	10.00	25.00	-	-
B. SUB-TOTAL, LABOR				P -
C. Name and Description	Qty	Unit	Unit Cost	Total Cost (Pesos)
Materials				
Rental of Scaffoldings	250	days		-
Formworks (rental basis)	90	days		-
C. SUB-TOTAL, MATERIAL				P -
SUMMARY:				
A	Equipment			P -
B	Labor			-
C	Materials			-
D	TOTAL DIRECT COST			-
DIRECT UNIT COST				-
E	OCM	9%	of D	-
F	Profit	8%	of D	-
G	VAT	5%	of (D+E+F)	-
H	Total Cost	(D+E+F+G)		-
I	Unit Cost	H/Quantity		P -

DETAILED UNIT PRICE ANALYSIS				
Improvement of Tourism Management Building (Formerly Laboratory High School)				
Location: QSU-Main Campus, Diffun, Quirino				
Item No. : XI		Quantity = 1.00		
Description : Septic Tank		Unit = ls		
A Name and Capacity of Equipment (Operated)	No. of Units	No. of Days	Unit Rate/Day	Total Cost (Pesos)
A. SUB-TOTAL , EQUIPMENT				P -
B Designation of Personnel	No. of Men	No. of Days	Unit Rate/Day	Total Cost (Pesos)
Labor				
Construction Foreman	1.00	10.00		-
Skilled	1.00	10.00	-	-
Laborer	2.00	10.00	-	-
B. SUB-TOTAL, LABOR				P -
C. Name and Description	Qty	Unit	Unit Cost	Total Cost (Pesos)
Materials				
CHB 4" x 8" x 16"	430	pcs		-
Portland Cement	58	bags		-
Washed Sand	4.3	cum		-
10mm dia bar x 6.0 m	70	pcs		-
#16 GI Tie Wire	5	kg		-
C. SUB-TOTAL, MATERIAL				P -
SUMMARY:				
A Equipment				P
B Labor				-
C Materials				-
D TOTAL DIRECT COST				-
DIRECT UNIT COST				
E OCM	9%	of D		-
F Profit	8%	of D		-
G VAT	5%	of (D+E+F)		-
H Total Cost	(D+E+F+G)			-
I Unit Cost	H/Quantity			P -

DETAILED UNIT PRICE ANALYSIS				
Improvement of Tourism Management Building (Formerly Laboratory High School)				
Location: QSU-Main Campus, Diffun, Quirino				
Item No. : XII		Quantity = 1.00		
Description : Plumbing Fixtures		Unit = 1s		
A Name and Capacity of Equipment (Operated)	No. of Units	No. of Days	Unit Rate/Day	Total Cost (Pesos)
A. SUB-TOTAL , EQUIPMENT				P -
B Designation of Personnel	No. of Men	No. of Days	Unit Rate/Day	Total Cost (Pesos)
Labor				
Construction Foreman	1.00	4.00		-
Skilled	2.00	4.00	-	-
Laborer	4.00	4.00	-	-
B. SUB-TOTAL, LABOR				P -
C. Name and Description	Qty	Unit	Unit Cost	Total Cost (Pesos)
Materials				
Duos Round Vessel Basin including accessories	12	units		-
Dual flush water closet including bidet, soap holder, tissue holder and other accessories	22	sets		-
Urinal including accessories	7	set		-
PWD grab bar	6	units		-
C. SUB-TOTAL, MATERIAL				P -
SUMMARY:				
A Equipment				P
B Labor				-
C Materials				-
D TOTAL DIRECT COST				-
DIRECT UNIT COST				-
E OCM	9%	of D		-
F Profit	8%	of D		-
G VAT	5%	of (D+E+F)		-
H Total Cost	(D+E+F+G)			-
I Unit Cost	H/Quantity			P -

DETAILED UNIT PRICE ANALYSIS				
Improvement of Tourism Management Building (Formerly Laboratory High School)				
Location: QSU-Main Campus, Diffun, Quirino				
Item No. : XIII		Quantity =		1.00
Description : Electrical System		Unit =		Is
A Name and Capacity of Equipment (Operated)	No. of Units	No. of Days	Unit Rate/Day	Total Cost (Pesos)
A. SUB-TOTAL , EQUIPMENT				P -
B Designation of Personnel	No. of Men	No. of Days	Unit Rate/Day	Total Cost (Pesos)
Labor				
Construction Foreman	1.00	35.00		-
Skilled	5.00	35.00	-	-
Laborer	10.00	35.00	-	-
B. SUB-TOTAL, LABOR				P -
C. Name and Description	Qty	Unit	Unit Cost	Total Cost (Pesos)
Materials				
20mmØ PVC Conduit	150	lngh		-
25mmØ PVC Conduit	120	lngh		-
20mmØ Flexible Hose	2	100m/roll		-
75mm x 2m RSC PIPE	3	lngh		-
75mm Entrance Cap	3	pcs		-
75mm Elbow	3	pcs		-
75mm Coupling	3	pcs		-
48x4x4 Wire Gutter Box	1	unit		-
Utility Box 4x4	200	pcs		-
Junction Box	250	pcs		-
16mm dia x 3m Copper Ground Rod with connector	3	lngh		-
2.0mm ² THHW Wire	15	150m/box		-
3.5mm ² THHW Wire	15	150m/box		-
5.5mm ² THHW Wire	15	150m/box		-
25mm ² THW Wire	100	mtrs		-
50mm ² THW Wire	100	mtrs		-
107mm ² THW Wire	100	mtrs		-
120mm ² THW Wire	45	mtrs		-
One Gang Switch	7	set		-
Two Gang Switch	31	set		-
Three Gang Switch	6	set		-
One Gang Universal Outlet w/ Plate	55	set		-
Duplex C.O. grounding type, 15A, 250V	107	pcs		-
Rectangular KWH Meter Base	1	unit		-
MDP/MTS PB - Flush	1			-
2pcs - 300AT, 250AF, 25KAIC MCCB (MAIN BRANCH & GENSET)		set		-
2pcs - 100AT, 100AF, 10KAIC (LP,PP)				-
2pcs - 150AT, 250AF, 10KAIC (ACUP)				-
Genset Automatic	1			-
ATS 30KVA, 230V, 60hz		set		-
PPB - Flush Mounted,	1			-
1pc - 100AT, 100AF, 10KAIC (Main)				-
8pcs - 15AT, 50AF, 50KAIC (BRANCHES)		set		-
1pc - 20AT, 50AF, 10KAIC (BRANCHES)				-
7pcs - 30AT, 50AF, 10KAIC (BRANCHES)				-
LPB - Flush Mounted,	1			-
1pc - 100AT, 100AF, 10KAIC (Main)		set		-
14pcs - 20AT, 50AF, 10KAIC (BRANCHES)				-
ACUPB - Flush	1			-
1pc - 150AT, 250AF, 25KAIC (Main)		set		-
30pcs - 15AT, 50AF, 10KAIC (BRANCHES)				-
ACU outlet	30	pcs		-
Zigma Pinlight Fixture White Surface Mounted Round	207	unit		-
9W daylight led Bulb	207	pcs		-
Twin Head emergency light rechargeable	55	units		-
C. SUB-TOTAL, MATERIAL				P -
SUMMARY:				
A Equipment				P
B Labor				-
C Materials				-
D TOTAL DIRECT COST				-
DIRECT UNIT COST				
E OCM	9%	of D		-
F Profit	8%	of D		-
G VAT	5%	of (D+E+F)		-
H Total Cost		(D+E+F+G)		-
I Unit Cost		H/Quantity		P



DETAILED UNIT PRICE ANALYSIS				
Improvement of Tourism Management Building (Formerly Laboratory High School)				
Location: QSU-Main Campus, Diffun, Quirino				
Item No. : SPL 1			Quantity =	1.00
Description : Project Billboards / Signboard			Unit =	ls
A Name and Capacity of Equipment (Operated)	No. of Units	No. of Days	Unit Rate/Day	Total Cost (Pesos)
Welding machine	1	5.00		-
A. SUB-TOTAL , EQUIPMENT				P -
B Designation of Personnel	No. of Men	No. of Days	Unit Rate/Day	Total Cost (Pesos)
Labor				
Construction Foreman	1.00	1.00	-	-
Skilled	1.00	1.00	-	-
Laborer	1.00	1.00	-	-
B. SUB-TOTAL, LABOR				P -
C. Name and Description	Qty	Unit	Unit Cost	Total Cost (Pesos)
Materials				
Marine Plywood, 1/4" x 4" x 8"	2	pcs		-
Coco Lumber 2" x 2" x 8"	48	bd.ft.		-
Hardware, CWN (Assorted)	1	kg		-
Tarpaulin (8' x 8')	64	sqft		-
C. SUB-TOTAL, MATERIAL				P -
SUMMARY:				
A Equipment				P -
B Labor				-
C Materials				-
D TOTAL DIRECT COST				-
DIRECT UNIT COST				-
E OCM	9%	of D		-
F Profit	8%	of D		-
G VAT	5%	of (D+E+F)		-
H Total Cost			(D+E+F+G)	-
I Unit Cost			H/Quantity	P -

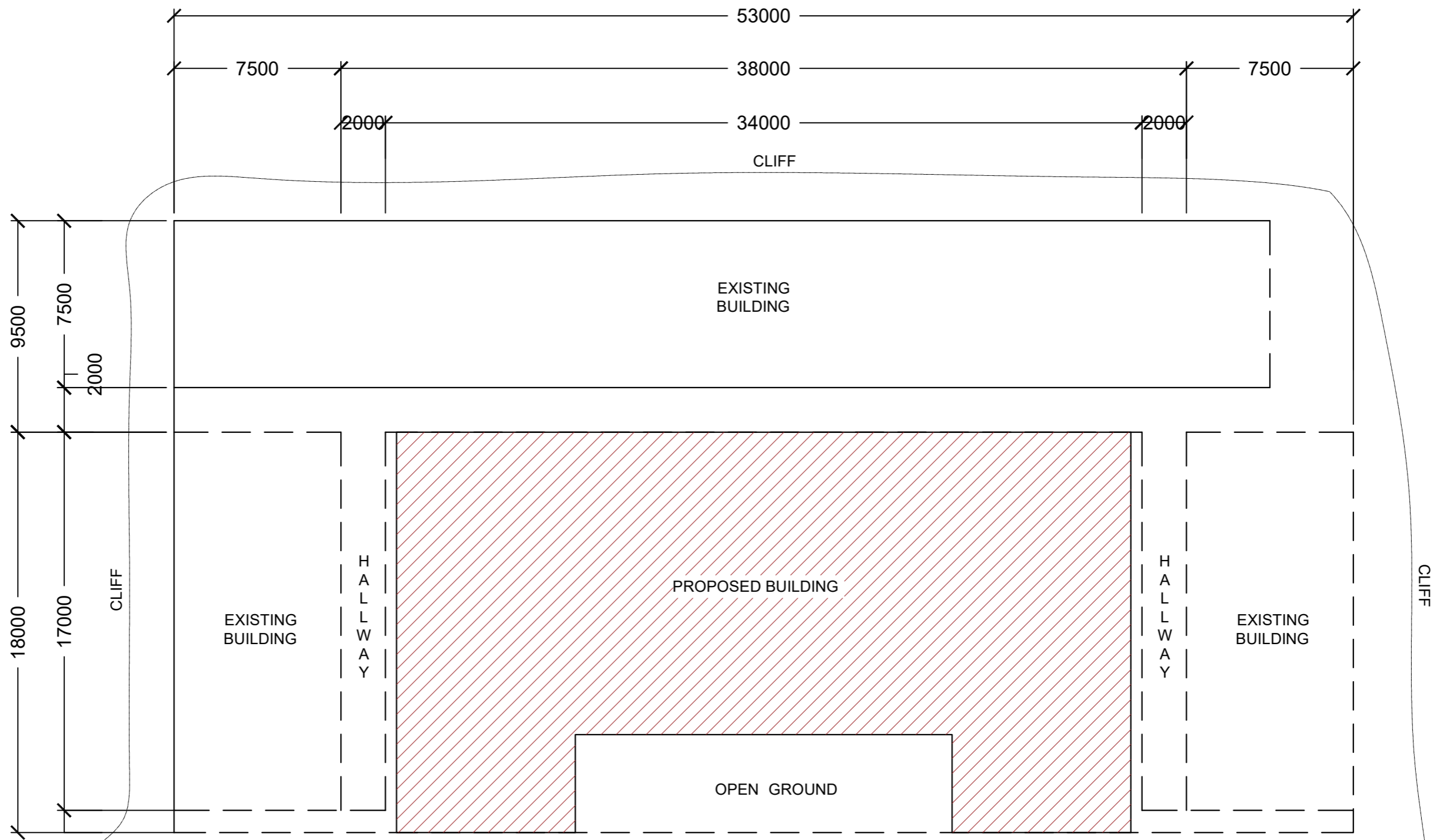
DETAILED UNIT PRICE ANALYSIS				
Improvement of Tourism Management Building (Formerly Laboratory High School)				
Location: QSU-Main Campus, Diffun, Quirino				
Item No. : SPL2		Quantity =		1.00
Description : Occupational Safety and Health Program		Unit =		ls
A Name and Capacity of Equipment (Operated)	No. of Units	No. of Days	Unit Rate/Day	Total Cost (Pesos)
A. SUB-TOTAL , EQUIPMENT				P -
B Designation of Personnel	No. of Men	No. of Days	Unit Rate/Day	Total Cost (Pesos)
Labor				
Construction Foreman				-
Laborer				-
B. SUB-TOTAL, LABOR				P -
C. Name and Description	Qty	Unit	Unit Cost	Total Cost (Pesos)
Materials				
Personal Protective Equipment(PPE)				
a. Gloves	35	pcs		-
b. Safety Vest	35	pcs		-
c. Safety Shoes	35	pcs		-
d. Safety Hat	35	pcs		-
e. Safety Googles	10	pcs		-
f. Harness	5	pcs		-
g. Medical Kit	1	set		-
Signages and Barricades				
a. PPE Signage (4' x 8')	1	set		-
b. Safety First (4' x 4')	1	set		-
c. Warning Signs (2' x 3')	20	set		-
d. Caution Tape, 100ft	1	roll		-
e. Safety Net (1/8" x 2.7m x 100m)	1	roll		-
C. SUB-TOTAL, MATERIAL				P -
SUMMARY:				
A	Equipment			P
B	Labor			-
C	Materials			-
D	TOTAL DIRECT COST			-
	DIRECT UNIT COST			-
E	OCM	of D		-
F	Profit	8% of D		-
G	VAT	5% of (D+E+F)		-
H	Total Cost	(D+E+F+G)		-
I	Unit Cost	H/Quantity		P

DETAILED UNIT PRICE ANALYSIS				
Improvement of Tourism Management Building (Formerly Laboratory High School)				
Location: QSU-Main Campus, Diffun, Quirino				
Item No. : SPL3		Quantity =		1.00
Description : Permit and Clearances		Unit =		ls
A Name and Capacity of Equipment (Operated)	No. of Units	No. of Days	Unit Rate/Day	Total Cost (Pesos)
A. SUB-TOTAL , EQUIPMENT				P -
B Designation of Personnel	No. of Men	No. of Days	Unit Rate/Day	Total Cost (Pesos)
Labor				
Construction Foreman				-
Laborer				-
B. SUB-TOTAL, LABOR				P -
C. Name and Description	Qty	Unit	Unit Cost	Total Cost (Pesos)
Building Permit, Zoning Clearance, BFP				
a. Processing Fee, Professional Fees, and QUIrelco Fees	1	ls		-
C. SUB-TOTAL, MATERIAL				P -
SUMMARY:				
A	Equipment			P -
B	Labor			-
C	Materials			-
D	TOTAL DIRECT COST			-
	DIRECT UNIT COST			-
E	OCM	of D		-
F	Profit	of D		-
G	VAT	5% of (D+E+F)		-
H	Total Cost	(D+E+F+G)		-
I	Unit Cost	H/Quantity		P -





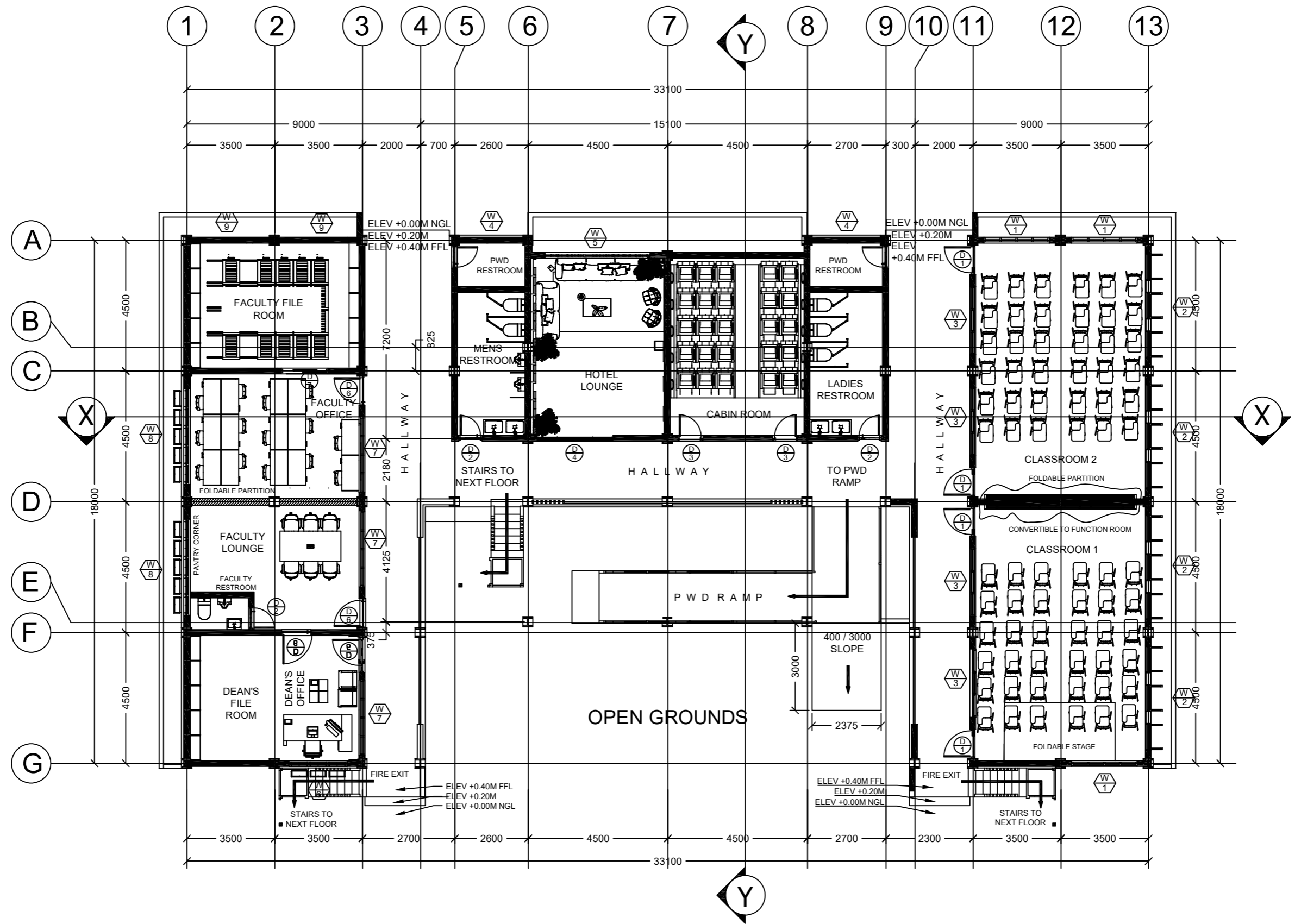
PERSPECTIVE

	DESIGNED BY :	VERIFIED BY :	RECOMMENDING APPROVAL :	APPROVED :	PROJECT TITLE :	SHEET CONTENT :	SHEET NO. :	
	 CRESPER G. SEGOVIA PROFESSIONAL ARCHITECT					IMPROVEMENT OF TOURISM MANAGEMENT BUILDING (FORMERLY LABORATORY HIGH SCHOOL)	AS SHOWN	1
	<small>PRC REG NO: 0048132 DATE REG: 08/02/2019 TIN: 343-101-272-000</small>	<small>PTR NO: 8879900 PLACE OF ISSUE: ILOILO CITY DATE OF ISSUE: 01/31/2025</small>	END-USER	PROJECT DEVELOPMENT OFFICER III	UNIVERSITY PRESIDENT	LOCATION : QSU - DIFFUN CAMPUS, DIFFUN, QUIRINO		





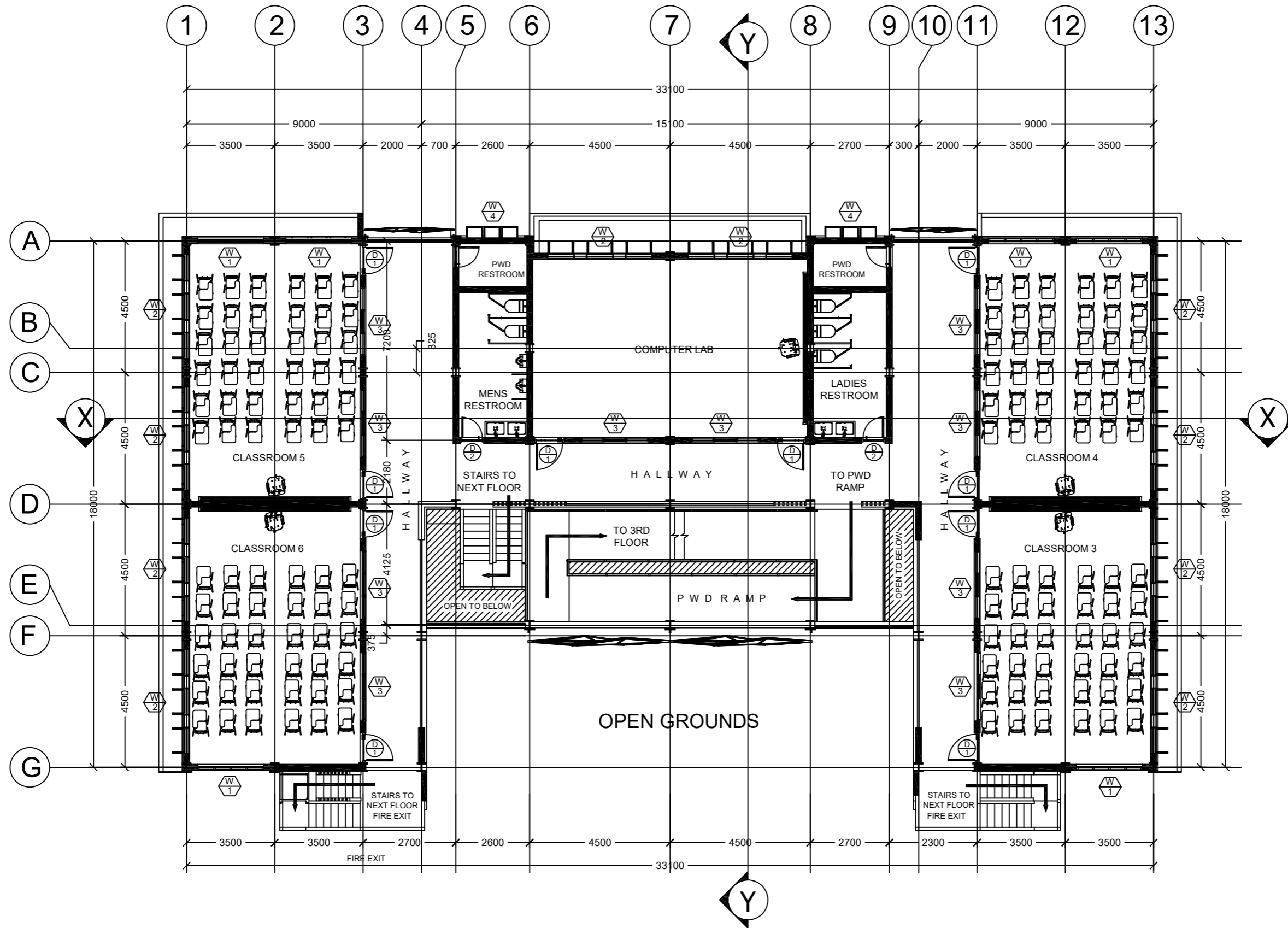
SITE DEVELOPMENT PLAN
SCALE 1:200

	DESIGNED BY :	VERIFIED BY :	RECOMMENDING APPROVAL :	APPROVED :	PROJECT TITLE :	SHEET CONTENT :	SHEET NO. :	
	 CRESPE G. SEGOVIA PROFESSIONAL ARCHITECT					IMPROVEMENT OF TOURISM MANAGEMENT BUILDING (FORMERLY LABORATORY HIGH SCHOOL)	AS SHOWN	2
	<small>PRC REG NO: 0048132 DATE REG: 08/02/2019 TIN: 343-101-272-000</small>	<small>PTR NO: 8879900 PLACE OF ISSUE: ILOILO CITY DATE OF ISSUE: 01/31/2025</small>	END-USER	PROJECT DEVELOPMENT OFFICER III	UNIVERSITY PRESIDENT	LOCATION : QSU - DIFFUN CAMPUS, DIFFUN, QUIRINO		



GROUND FLOOR PLAN
SCALE 1:100 METERS

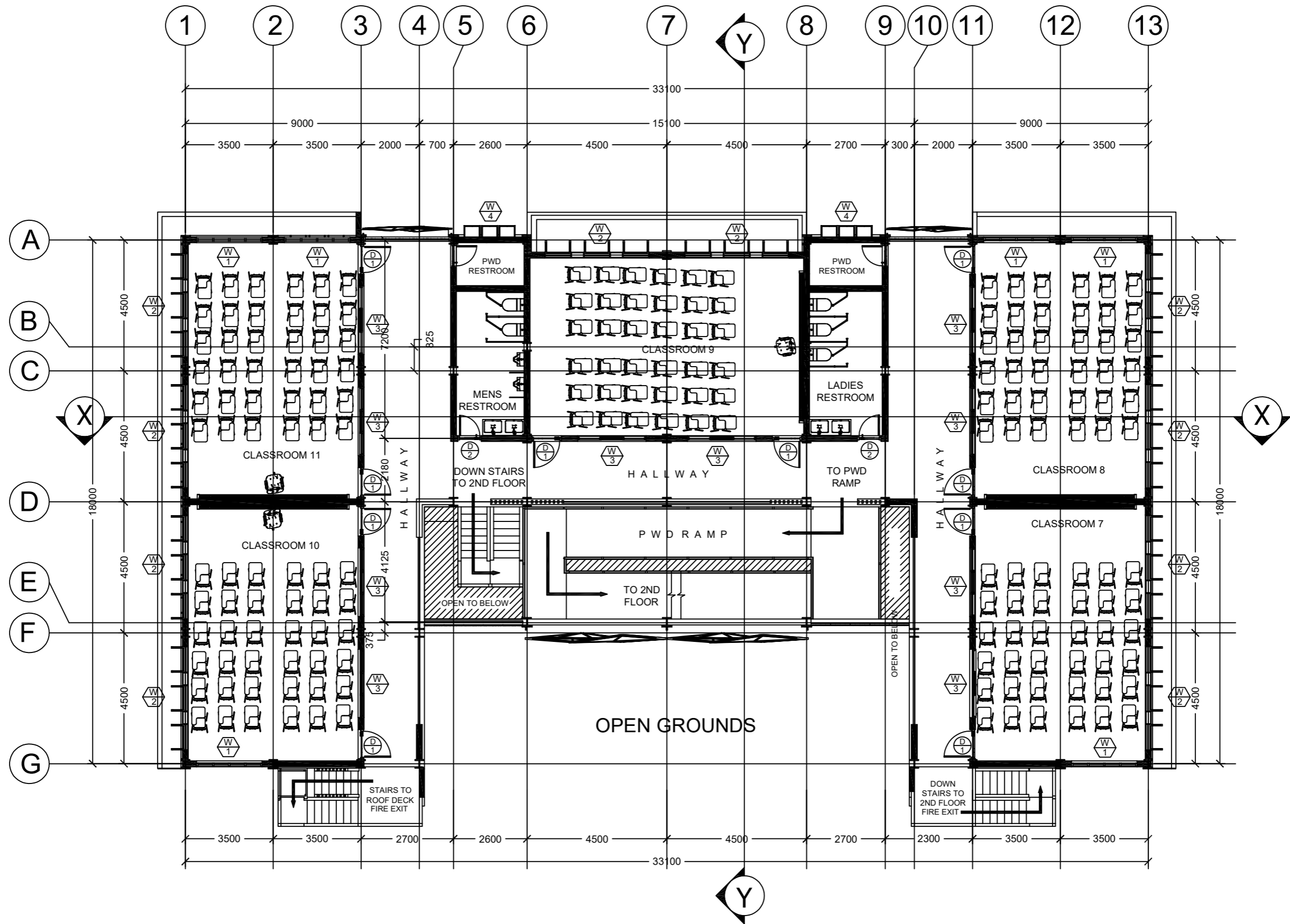
	DESIGNED BY :	VERIFIED BY :	RECOMMENDING APPROVAL :	APPROVED :	PROJECT TITLE :	SHEET CONTENT :	SHEET NO. :	
	 CRESPER G. SEGOVIA PROFESSIONAL ARCHITECT					IMPROVEMENT OF TOURISM MANAGEMENT BUILDING (FORMERLY LABORATORY HIGH SCHOOL)	AS SHOWN	3
	<small>PRC REG NO: 0048132 DATE REG: 08/02/2019 TIN: 343-101-272-000</small>	<small>PTR NO: 8879900 PLACE OF ISSUE: ILOILO CITY DATE OF ISSUE: 01/31/2025</small>	END-USER	PROJECT DEVELOPMENT OFFICER III	UNIVERSITY PRESIDENT	LOCATION : QSU - DIFFUN CAMPUS, DIFFUN, QUIRINO		





SECOND FLOOR PLAN
SCALE 1:100 METERS

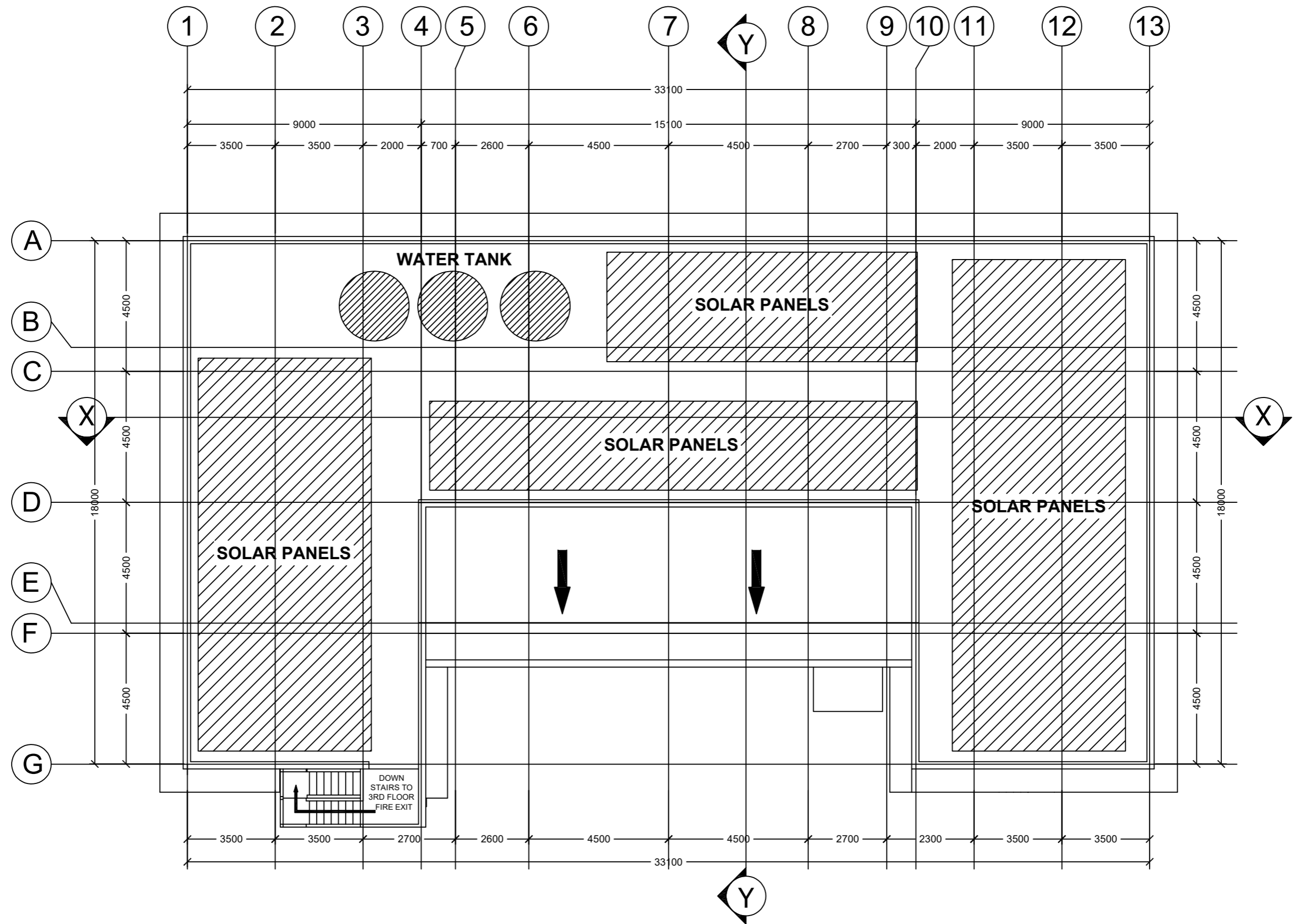


DESIGNED BY : CRESPE G. REGOVIA PROFESSIONAL ARCHITECT <small>PRC REG NO: 0048132 DATE REG: 08/02/2019 TIN: 343-101-272-000</small>	VERIFIED BY : <small>PTR NO: 8879900 PLACE OF ISSUE: ILOILO CITY DATE OF ISSUE: 01/31/2025</small>	RECOMMENDING APPROVAL : <small>PROJECT DEVELOPMENT OFFICER III</small>	APPROVED : <small>UNIVERSITY PRESIDENT</small>	PROJECT TITLE : IMPROVEMENT OF TOURISM MANAGEMENT BUILDING (FORMERLY LABORATORY HIGH SCHOOL)	SHEET CONTENT : AS SHOWN	SHEET NO. : 4
				LOCATION : <small>QSU - DIFFUN CAMPUS, DIFFUN, QUIRINO</small>		
				CONTROL NO. :		





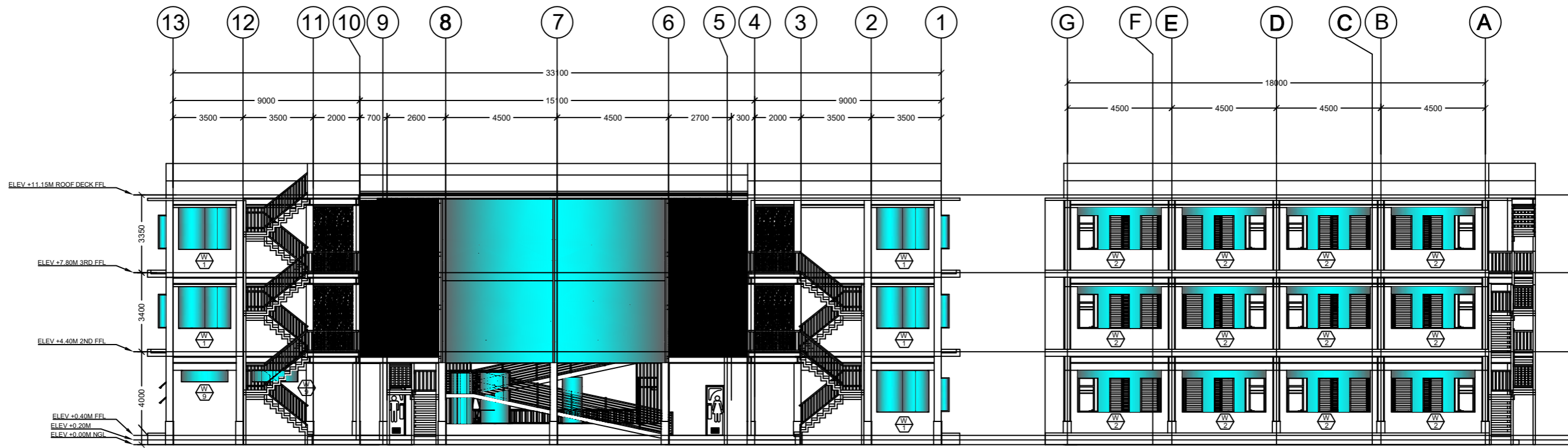
THIRD FLOOR PLAN
SCALE 1:100 METERS

	DESIGNED BY :	VERIFIED BY :	RECOMMENDING APPROVAL :	APPROVED :	PROJECT TITLE :	SHEET CONTENT :	SHEET NO. :	
	 CRESPE G. SEGOVIA PROFESSIONAL ARCHITECT					IMPROVEMENT OF TOURISM MANAGEMENT BUILDING (FORMERLY LABORATORY HIGH SCHOOL)	AS SHOWN	5
	<small>PRC REG NO: 0048132 DATE REG: 08/02/2019 TIN: 343-101-272-000</small>	<small>PTR NO: 8879900 PLACE OF ISSUE: ILOILO CITY DATE OF ISSUE: 01/31/2025</small>	END-USER	PROJECT DEVELOPMENT OFFICER III	UNIVERSITY PRESIDENT	LOCATION : QSU - DIFFUN CAMPUS, DIFFUN, QUIRINO		



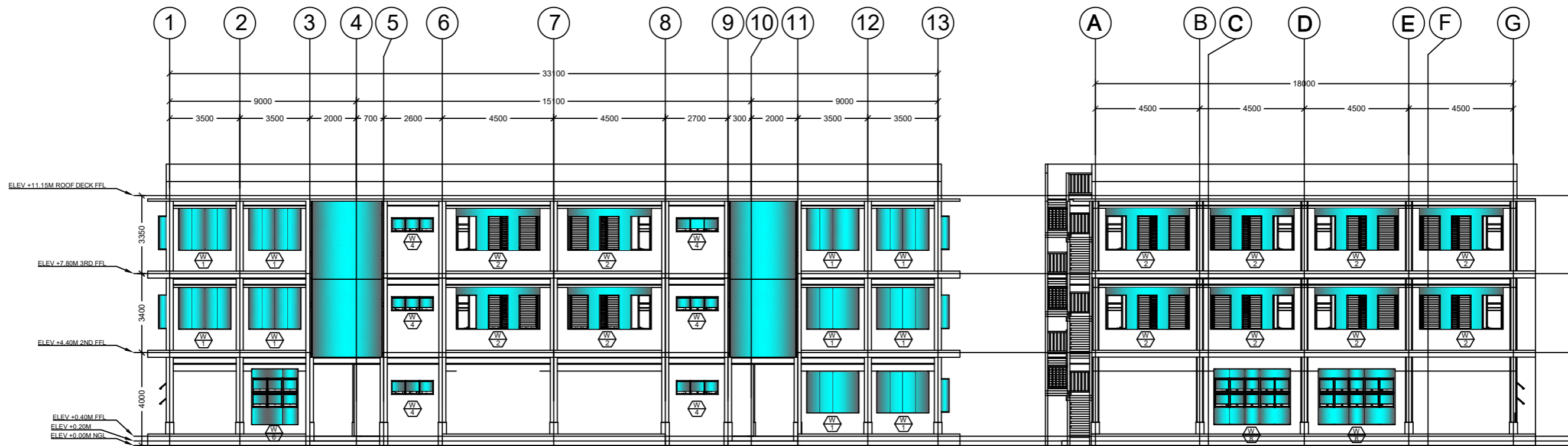

ROOF DECK PLAN
 SCALE 1:100 METERS

	DESIGNED BY :	VERIFIED BY :	RECOMMENDING APPROVAL :	APPROVED :	PROJECT TITLE :	SHEET CONTENT :	SHEET NO. :	
	 CRESPE G. SEGOVIA PROFESSIONAL ARCHITECT					IMPROVEMENT OF TOURISM MANAGEMENT BUILDING (FORMERLY LABORATORY HIGH SCHOOL)	AS SHOWN	6
	<small> PRC REG NO: 0048132 DATE REG: 08/02/2019 TIN: 343-101-272-000 </small>	<small> PTR NO: 8879900 PLACE OF ISSUE: ILOILO CITY DATE OF ISSUE: 01/31/2025 </small>	<small>END-USER</small>	<small>PROJECT DEVELOPMENT OFFICER III</small>	<small>UNIVERSITY PRESIDENT</small>	<small>LOCATION :</small> <small>QSU - DIFFUN CAMPUS, DIFFUN, QUIRINO</small>		



FRONT ELEVATION PLAN
SCALE 1:100 METERS


RIGHT ELEVATION PLAN
SCALE 1:100 METERS

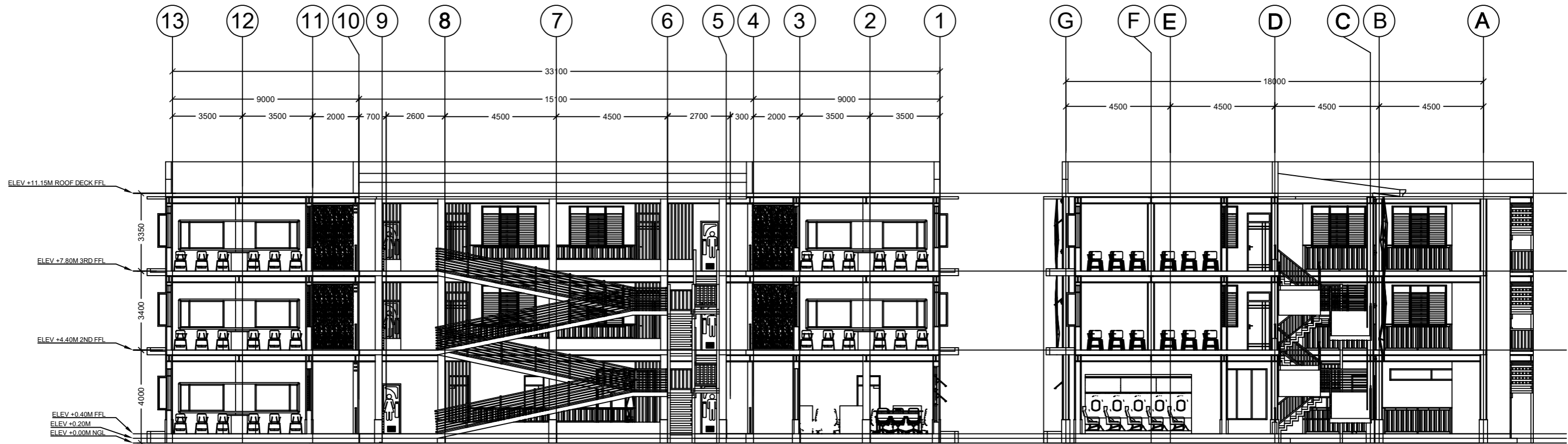


REAR ELEVATION PLAN
SCALE 1:100 METERS

LEFT ELEVATION PLAN
SCALE 1:100 METERS




DESIGNED BY :  CRESTE G. SEGOVIA PROFESSIONAL ARCHITECT <small>PRC REG NO: 0048132 DATE REG: 08/02/2019 TIN: 343-101-272-000</small>	VERIFIED BY : END-USER	RECOMMENDING APPROVAL : PROJECT DEVELOPMENT OFFICER III	APPROVED : UNIVERSITY PRESIDENT	PROJECT TITLE : IMPROVEMENT OF TOURISM MANAGEMENT BUILDING (FORMERLY LABORATORY HIGH SCHOOL)	SHEET CONTENT : AS SHOWN	SHEET NO. : 7
				LOCATION : QSU - DIFFUN CAMPUS, DIFFUN, QUIRINO		CONTROL NO.:
				<small>QSU-PMU-F014 Rev. 00 (May 02, 2025)</small>		

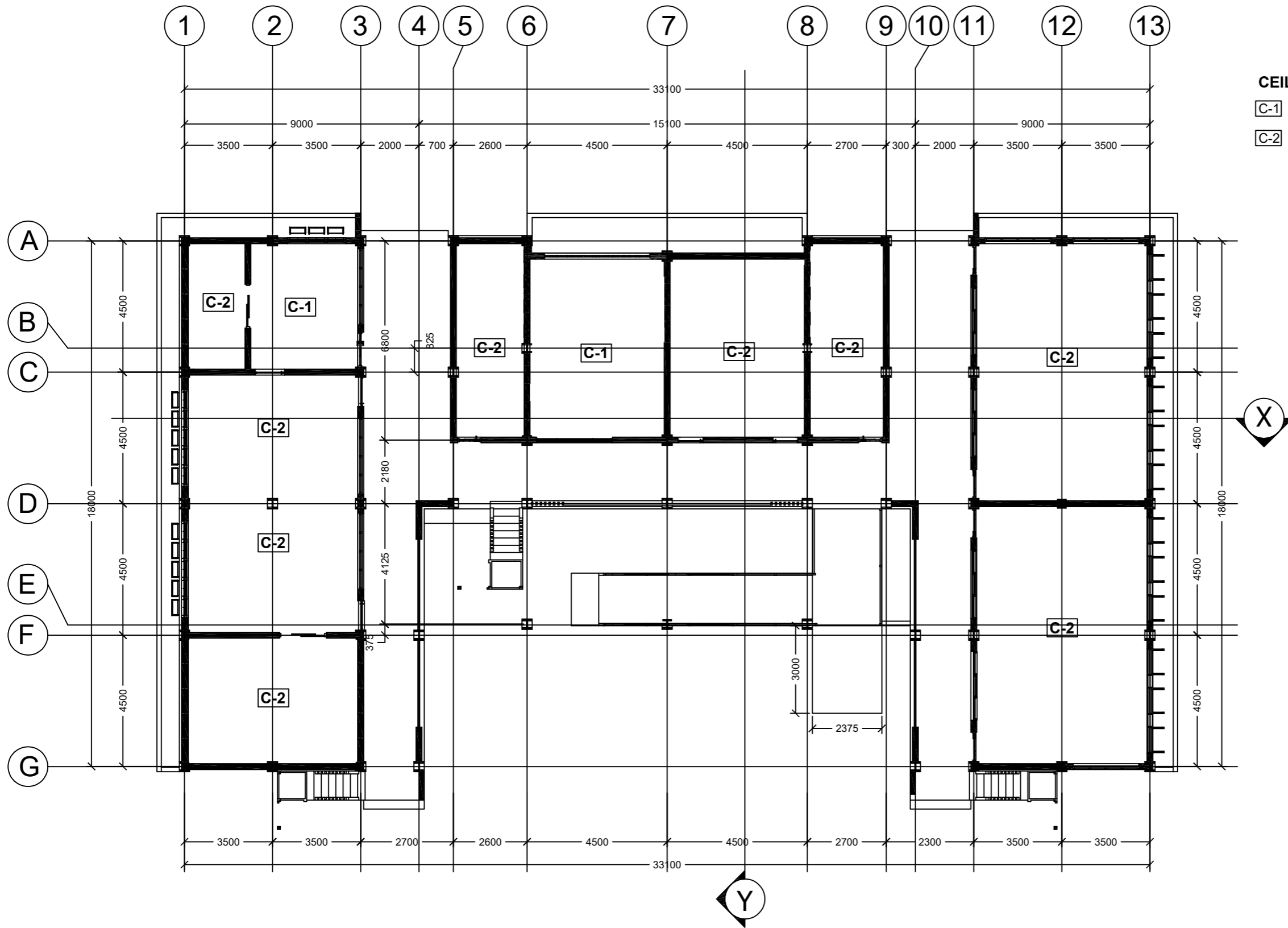


CROSS SECTION X-X
SCALE 1:100 METERS

CROSS SECTION Y-Y
SCALE 1:100 METERS





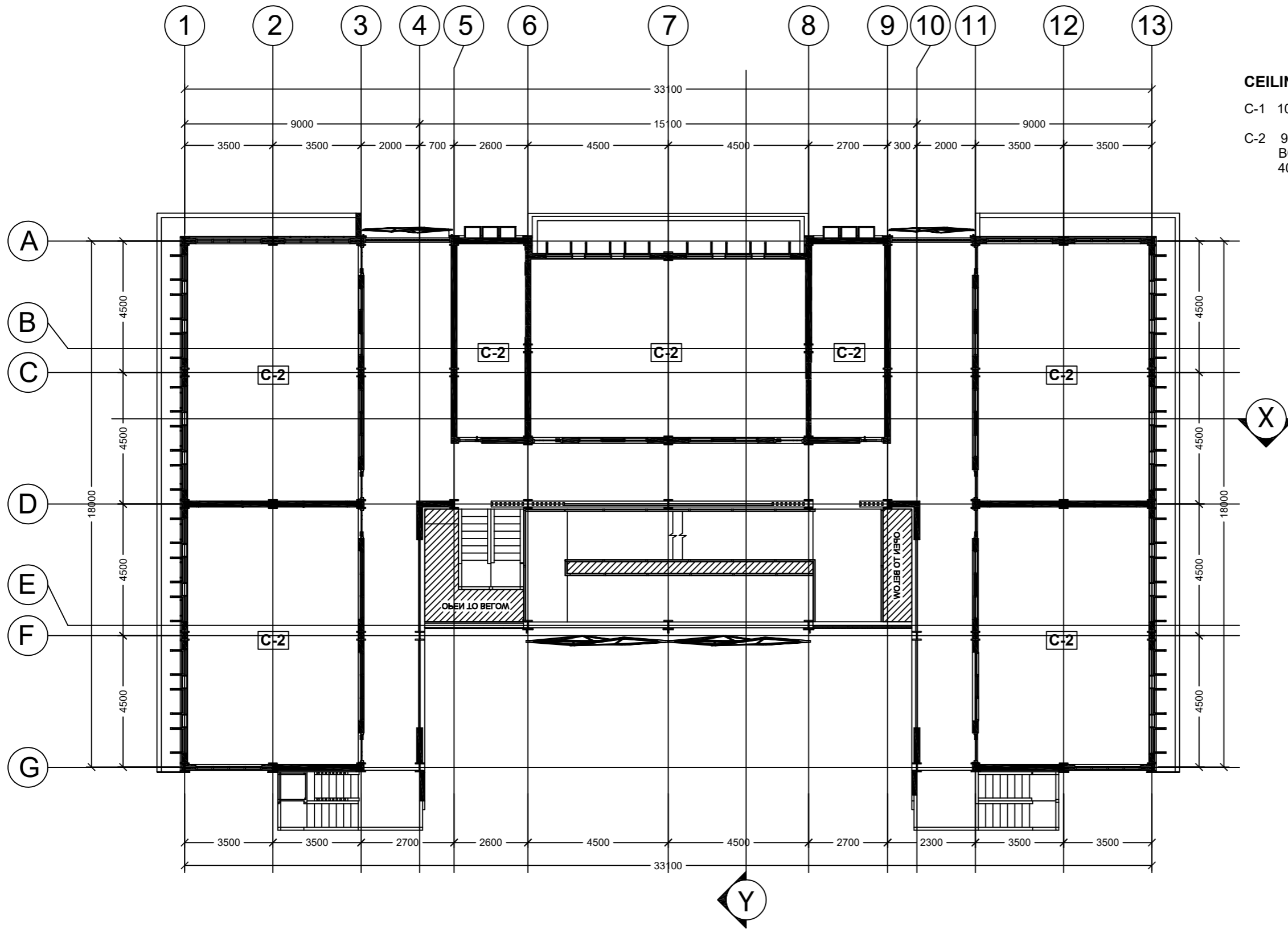
DESIGNED BY :  CRESPE G. SEGOVIA PROFESSIONAL ARCHITECT <small>PRC REG NO: 0048132 DATE REG: 08/02/2019 TIN: 343-101-272-000</small>	VERIFIED BY : END-USER	RECOMMENDING APPROVAL : PROJECT DEVELOPMENT OFFICER III	APPROVED : UNIVERSITY PRESIDENT	PROJECT TITLE : IMPROVEMENT OF TOURISM MANAGEMENT BUILDING (FORMERLY LABORATORY HIGH SCHOOL)	SHEET CONTENT : AS SHOWN	SHEET NO. : 8
				LOCATION : QSU - DIFFUN CAMPUS, DIFFUN, QUIRINO		
				CONTROL NO. :		



- CEILING FINISHES:**
- C-1** 100MM WIDE BROWN OAK UPVC PLANKS
 - C-2** 9MM THK STANDARD CORE GYPSUM BOARD ON METAL FURRINGS SPACED AT 400MM O.C.



GROUND FLOOR REFLECTED CEILING PLAN
SCALE 1:100 METERS

	DESIGNED BY :	VERIFIED BY :	RECOMMENDING APPROVAL :	APPROVED :	PROJECT TITLE :	SHEET CONTENT :	SHEET NO. :	
	 CRESPE G. SEGOVIA PROFESSIONAL ARCHITECT					IMPROVEMENT OF TOURISM MANAGEMENT BUILDING (FORMERLY LABORATORY HIGH SCHOOL)	AS SHOWN	9
	<small>PRC REG NO: 0048132 DATE REG: 08/02/2019 TIN: 343-101-272-000</small>	<small>PTR NO: 8879900 PLACE OF ISSUE: ILOILO CITY DATE OF ISSUE: 01/31/2025</small>	END-USER	PROJECT DEVELOPMENT OFFICER III	UNIVERSITY PRESIDENT	LOCATION : QSU - DIFFUN CAMPUS, DIFFUN, QUIRINO		



CEILING FINISHES:
 C-1 100MM WIDE BROWN OAK UPVC PLANKS
 C-2 9MM THK STANDARD CORE GYPSUM BOARD ON METAL FURRINGS SPACED AT 400MM O.C.

2ND AND 3RD FLOOR REFLECTED CEILING PLAN
 SCALE 1:100 METERS

	DESIGNED BY :	VERIFIED BY :	RECOMMENDING APPROVAL :	APPROVED :	PROJECT TITLE :	SHEET CONTENT :	SHEET NO. :	
	 CRESTO G. REGOVIA PROFESSIONAL ARCHITECT					IMPROVEMENT OF TOURISM MANAGEMENT BUILDING (FORMERLY LABORATORY HIGH SCHOOL)	AS SHOWN	10
	<small>PRC REG NO: 0048132 DATE REG: 08/02/2019 TIN: 343-101-272-000</small>	<small>PTR NO: 8879900 PLACE OF ISSUE: ILOILO CITY DATE OF ISSUE: 01/31/2025</small>	END-USER	PROJECT DEVELOPMENT OFFICER III	UNIVERSITY PRESIDENT	LOCATION : QSU - DIFFUN CAMPUS, DIFFUN, QUIRINO		

WINDOW SCHEDULE

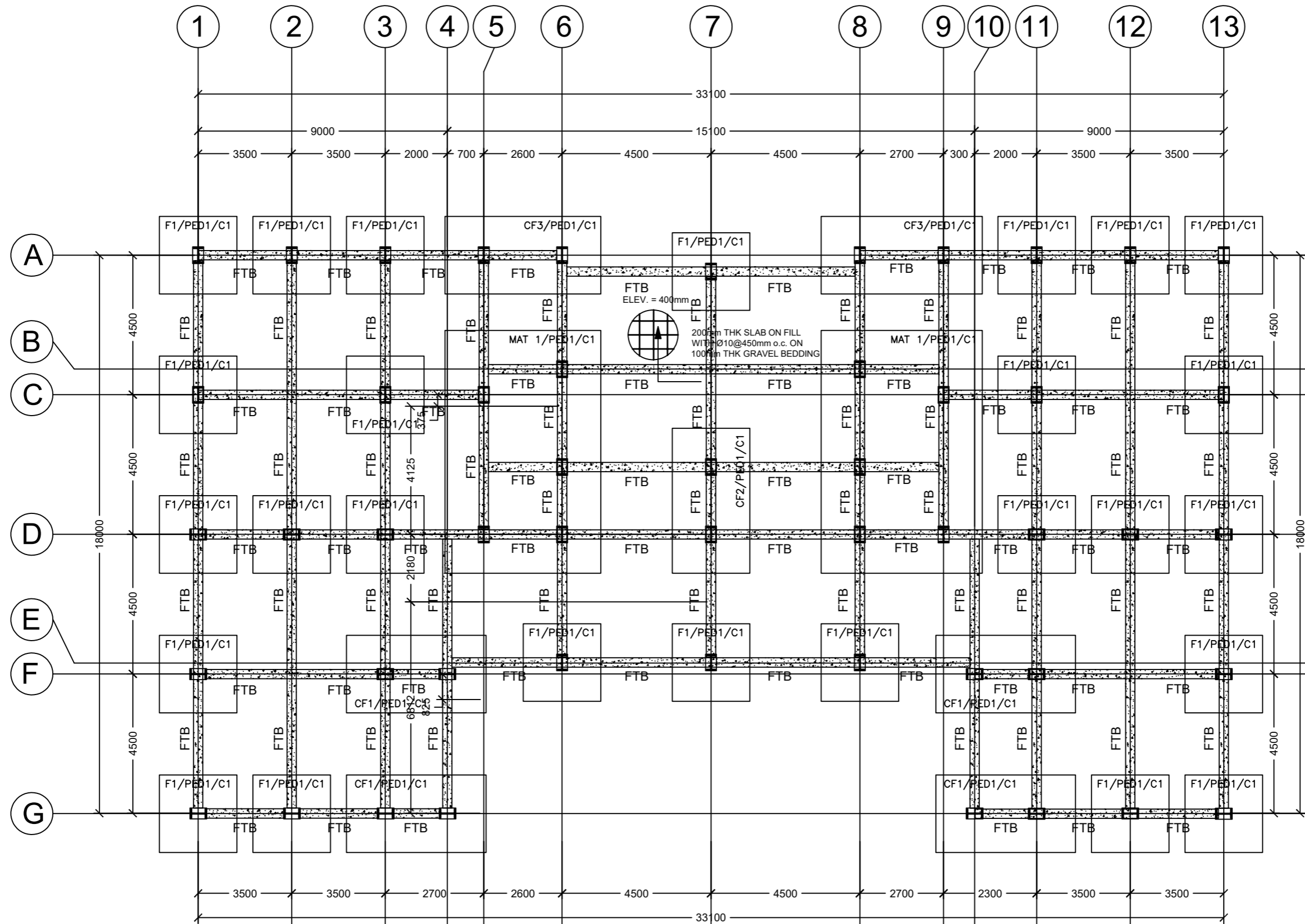
DESCRIPTION: 9MM THK GLASS ON GRAY ANALOK FRAME AND CASEMENT WINDOW OPENING OUTSIDE ONE WAY FILM INSTALLED	DESCRIPTION: 9MM THK GLASS CASEMENT WINDOW OPENING OUTSIDE ON ANALOK GRAY FRAME ONE WAY FILM INSTALLED	DESCRIPTION: 9MM THK FIXED GLASS ON JALOUSIE WINDOW	DESCRIPTION: 9MM THK GLASS AWNING WINDOW OPENING UPWARD	DESCRIPTION: 9MM THK FIXED GLASS SPECIAL GRILLS
NO. OF SETS: 15	NO. OF SETS: 24	NO. OF SETS: 24	NO. OF SETS: 6	NO. OF SETS: 1
LOCATION: *VERIFY IN ELEVATION PLAN	LOCATION: *VERIFY IN ELEVATION PLAN	LOCATION: *VERIFY IN ELEVATION PLAN	LOCATION: RESTROOMS	LOCATION: HOTEL LOUNGE
DESCRIPTION: 9MM THK GLASS ON WHITE ANALOK FRAME AND A SLIDING WINDOW ONE WAY FILM INSTALLED	DESCRIPTION: 9MM THK GLASS ON GRAY ANALOK FRAME AND CASEMENT WINDOW OPENING OUTSIDE ONE WAY FILM INSTALLED	DESCRIPTION: 9MM THK FIXED GLASS ON ANALOK WHITE AWNING WINDOW OPENING UPWARD	DESCRIPTION: 9MM THK FIXED GLASS	
NO. OF SETS: 1	NO. OF SETS: 3	NO. OF SETS: 2	NO. OF SETS: 2	
LOCATION: *VERIFY IN ELEVATION PLAN	LOCATION: *VERIFY IN ELEVATION PLAN	LOCATION: *VERIFY IN ELEVATION PLAN	LOCATION: *VERIFY IN ELEVATION PLAN	

DOOR SCHEDULE


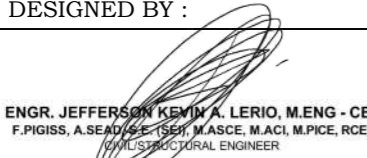
DESCRIPTION: WOODEN DOOR WITH FIXED GLASS HEADER	DESCRIPTION: PVC FLUSH DOOR	DESCRIPTION: GLASS DOOR WITH FIXED GLASS HEADER	DESCRIPTION: SLIDING GLASS DOOR OPENING SIDWAYS	DESCRIPTION: WOODEN DOOR WITH FIXED GLASS AT THE MIDDLE AND HEADER
NO. OF SETS: 24	NO. OF SETS: 6	NO. OF SETS: 2	NO. OF SETS: 1	NO. OF SETS: 1
LOCATION: CLASSROOM DOOR	LOCATION: TOILET & BATHROOM	LOCATION: CABIN ROOM	LOCATION: ENTRANCE HOTEL LOUNGE	LOCATION: DEANS OFFICE
DESCRIPTION: GLASS DOOR WITH FIXED GLASS HEADER	DESCRIPTION: SLIDING GLASS DOOR OPENING ONE WAY			
NO. OF SETS: 3	NO. OF SETS: 2			
LOCATION: *VERIFY LOCATION FLOOR PLAN	LOCATION: *VERIFY LOCATION FLOOR PLAN			

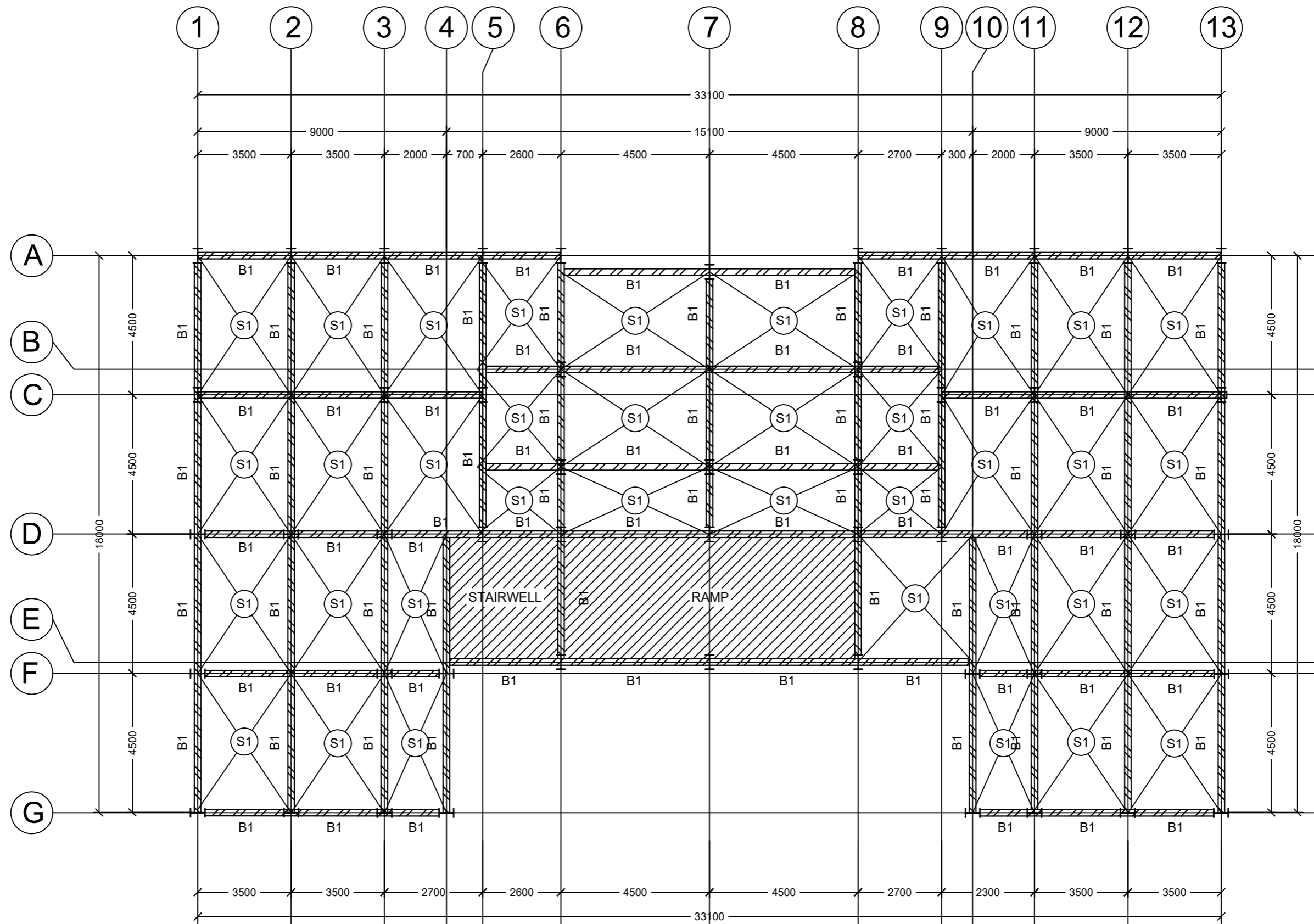


DESIGNED BY :	VERIFIED BY :	RECOMMENDING APPROVAL :	APPROVED :	PROJECT TITLE :	SHEET CONTENT :	SHEET NO. :
CRESPE G. BEGOVIA PROFESSIONAL ARCHITECT				IMPROVEMENT OF TOURISM MANAGEMENT BUILDING (FORMERLY LABORATORY HIGH SCHOOL)	AS SHOWN	11
PRC REG NO: 0048132 DATE REG: 08/02/2019 TIN: 343-101-272-000	PTR NO: 8879900 PLACE OF ISSUE: ILOILO CITY DATE OF ISSUE: 01/31/2025	END-USER	PROJECT DEVELOPMENT OFFICER III	UNIVERSITY PRESIDENT	LOCATION :	CONTROL NO. :
				QSU - DIFFUN CAMPUS, DIFFUN, QUIRINO		




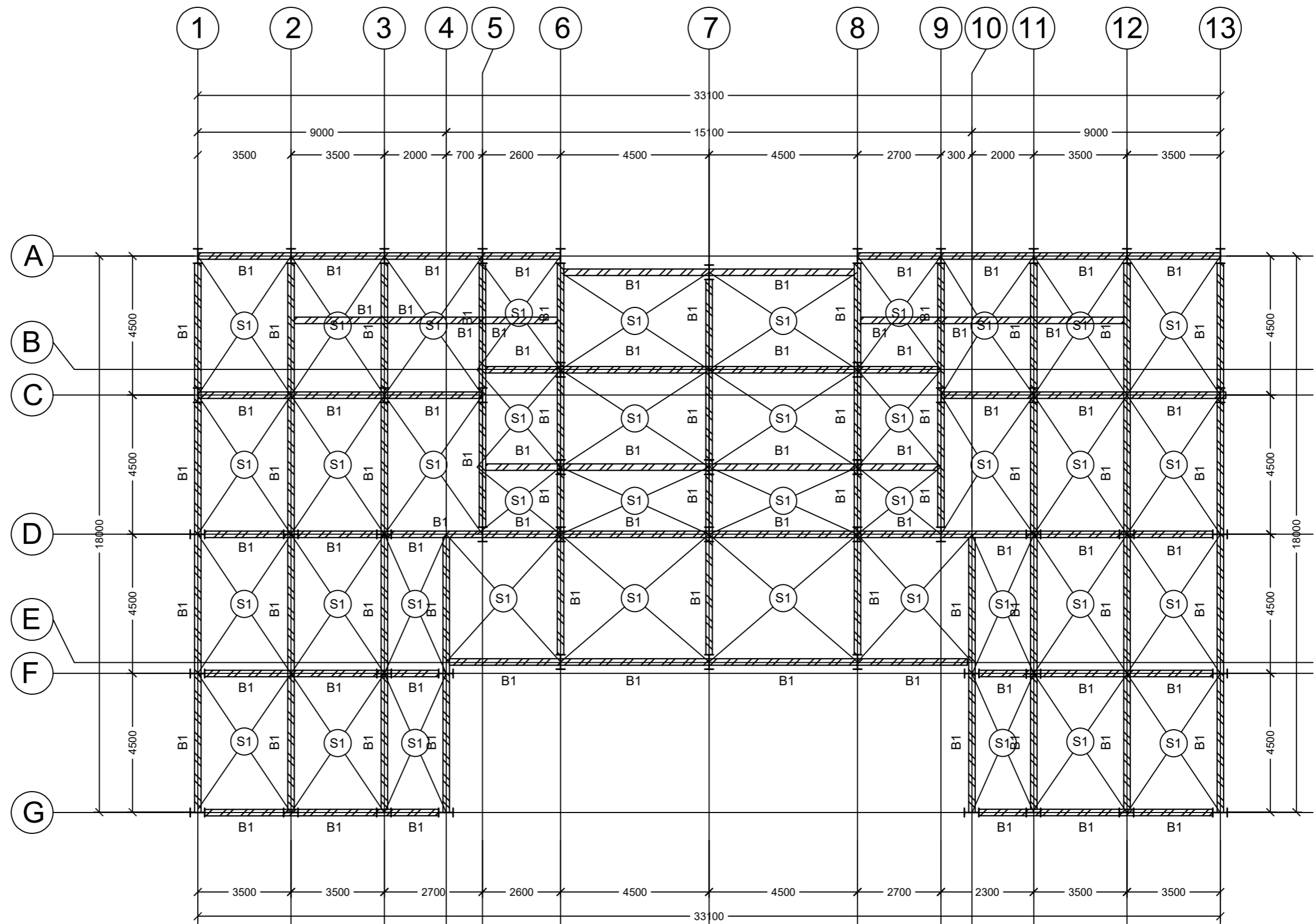
FOUNDATION PLAN
SCALE 1:100 METERS

	DESIGNED BY :	VERIFIED BY :	RECOMMENDING APPROVAL :	APPROVED :	PROJECT TITLE :	SHEET CONTENT :	SHEET NO. :	
	 ENGR. JEFFERSON KEVIN A. LERIO, M.ENG - CE, F.PIGISS, A.SEAD, C.E., SEI, M.ASCE, M.ACI, M.PICE, RCE CIVIL STRUCTURAL ENGINEER					IMPROVEMENT OF TOURISM MANAGEMENT BUILDING (FORMERLY LABORATORY HIGH SCHOOL)	AS SHOWN	1
	PRC REG NO: 0196341 DATE REG: 12/14/2019 TIN: 355-429-468	PTR NO: 3745750 PLACE OF ISSUE: TAGUM CITY DATE OF ISSUE: 01/20/2025	END-USER	PROJECT DEVELOPMENT OFFICER III	UNIVERSITY PRESIDENT	LOCATION :		
					QSU - DIFFUN CAMPUS, DIFFUN, QUIRINO			




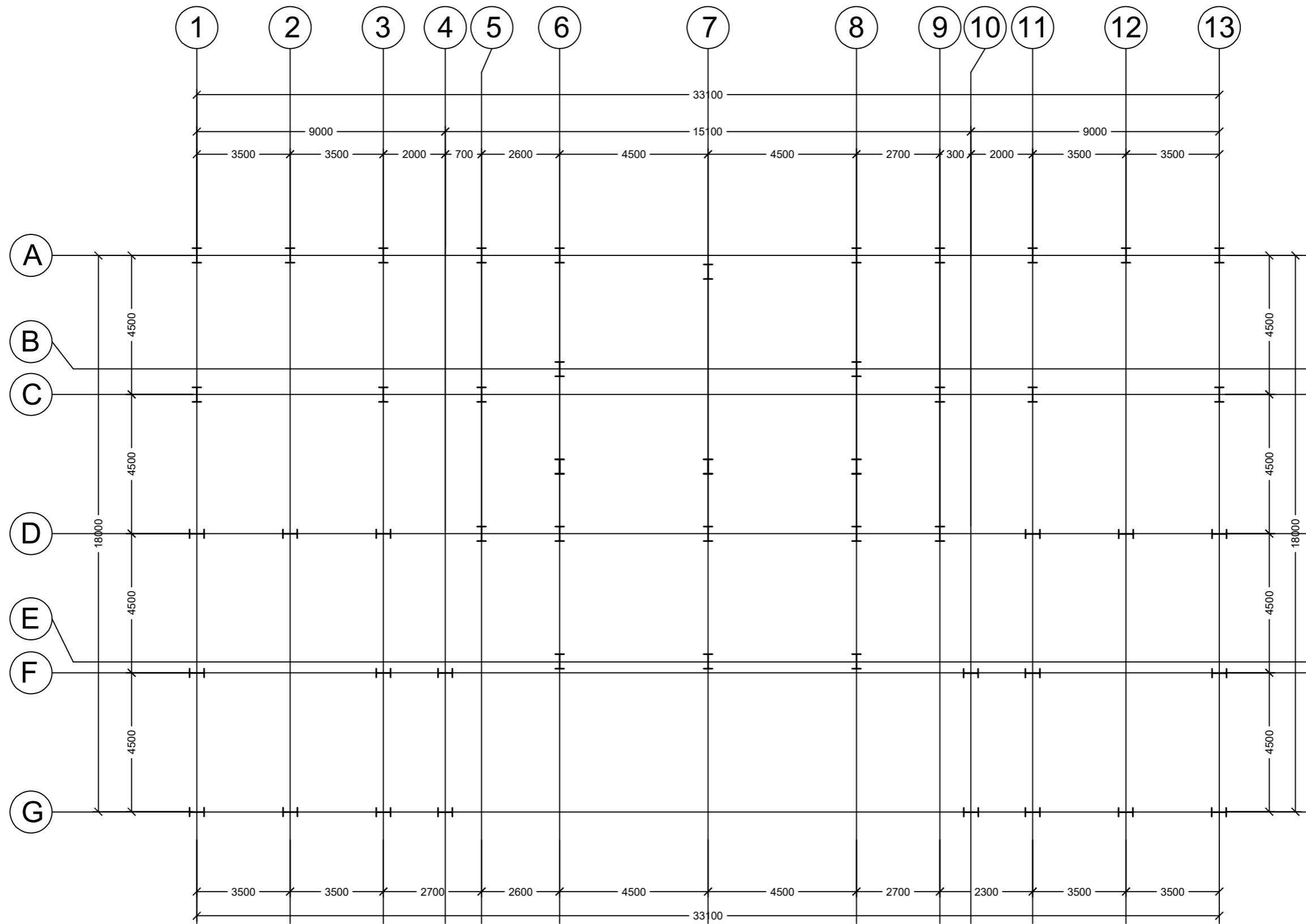
2ND AND 3RD FLOOR BEAM LAYOUT PLAN
SCALE 1:100 METERS

	DESIGNED BY :	VERIFIED BY :	RECOMMENDING APPROVAL :	APPROVED :	PROJECT TITLE :	SHEET CONTENT :	SHEET NO. :	
	ENGR. JEFFERSON KEVIN A. LERIO, M.ENG - CE, F.PIGISS, A.SEA/CE, ISEI, M.ASCE, M.ACI, M.PICE, RCE CIVIL STRUCTURAL ENGINEER					IMPROVEMENT OF TOURISM MANAGEMENT BUILDING (FORMERLY LABORATORY HIGH SCHOOL)	AS SHOWN	2
	PRC REG NO: 0196341 DATE REG: 12/4/2019 TIN: 355-429-468	END-USER	PROJECT DEVELOPMENT OFFICER III	UNIVERSITY PRESIDENT	LOCATION :	QSU - DIFFUN CAMPUS, DIFFUN, QUIRINO		




ROOF DECK BEAM LAYOUT PLAN
 SCALE 1:100 METERS

	DESIGNED BY :	VERIFIED BY :	RECOMMENDING APPROVAL :	APPROVED :	PROJECT TITLE :	SHEET CONTENT :	SHEET NO. :	
	ENGR. JEFFERSON KEVIN A. LERIO, M.ENG - CE, F.PIGISS, A.SEAD/CE, SEI, M.ASCE, M.ACI, M.PICE, RCE CIVIL/STRUCTURAL ENGINEER					IMPROVEMENT OF TOURISM MANAGEMENT BUILDING (FORMERLY LABORATORY HIGH SCHOOL)	AS SHOWN	3
	PRC REG NO: 0196341 DATE REG: 12/4/2019 TIN: 355-429-468	PTR NO: 3745750 PLACE OF ISSUE: TAGUM CITY DATE OF ISSUE: 01/20/2025	END-USER	PROJECT DEVELOPMENT OFFICER III	UNIVERSITY PRESIDENT	LOCATION : QSU - DIFFUN CAMPUS, DIFFUN, QUIRINO		STRUCTURAL CONTROL NO.:



COLUMN ORIENTATION LAYOUT PLAN

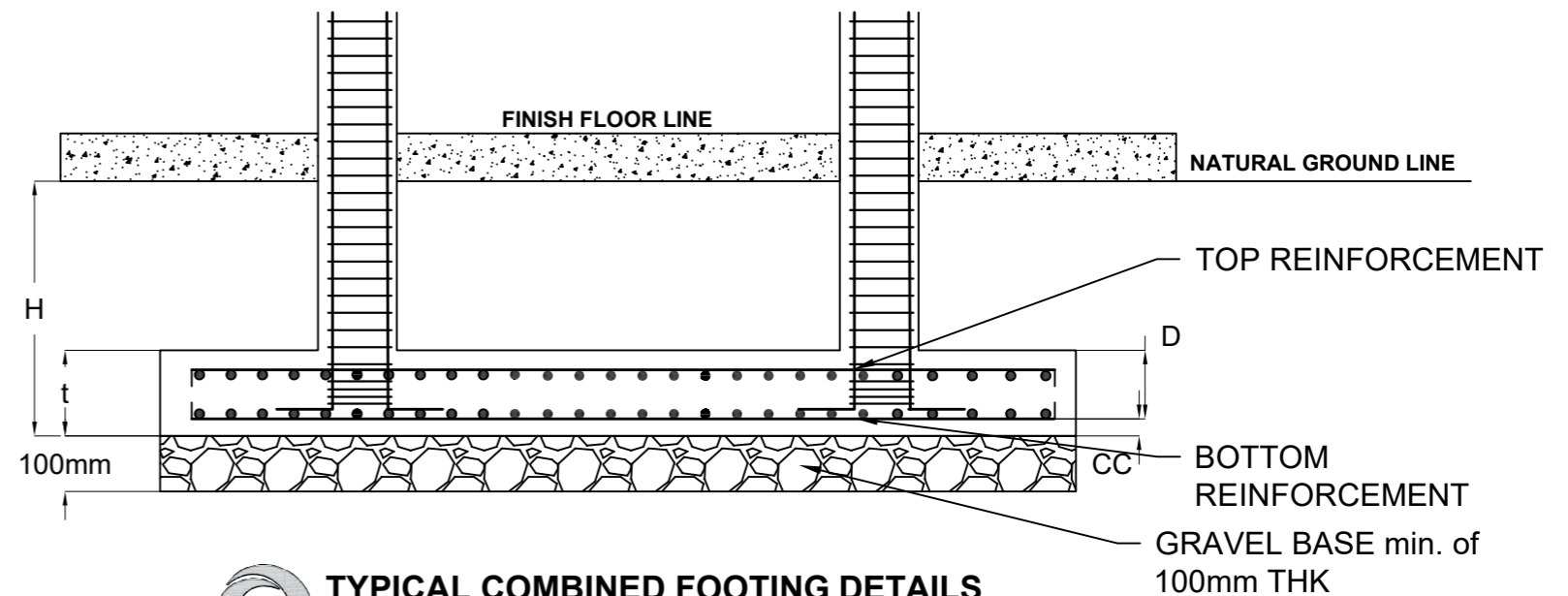
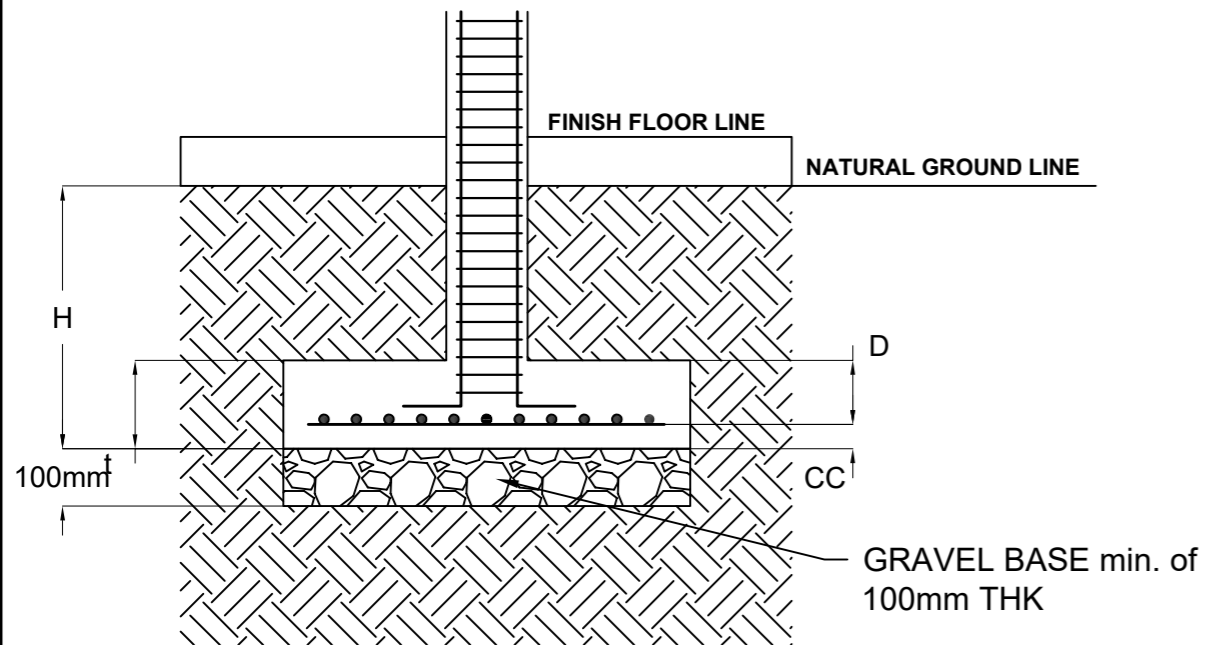
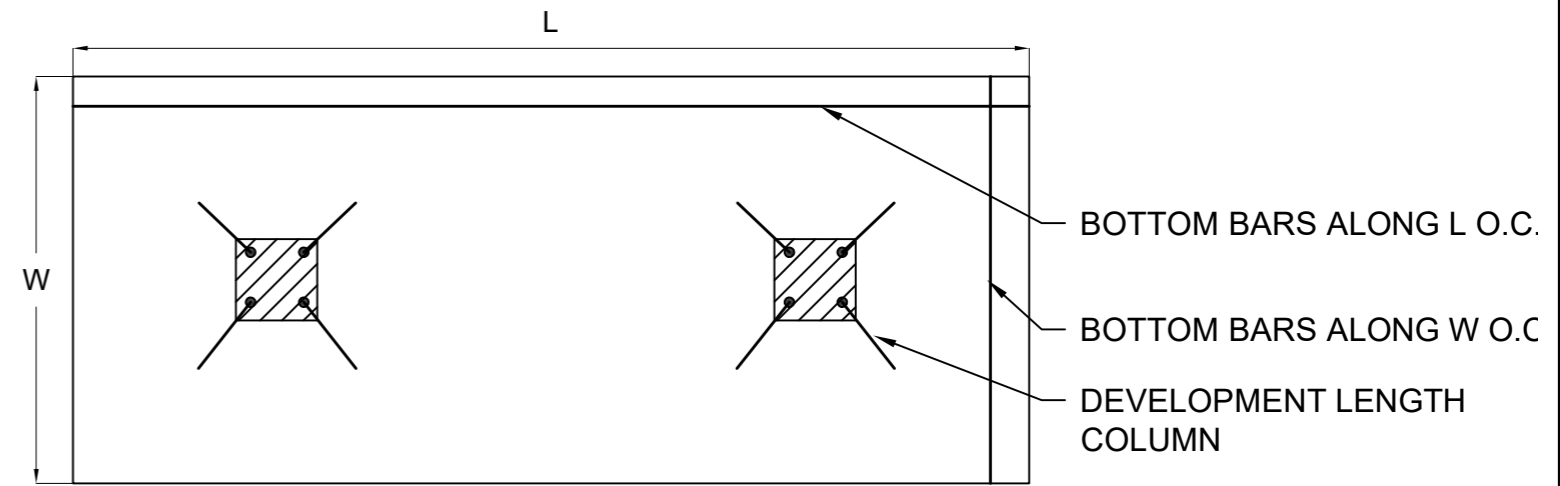
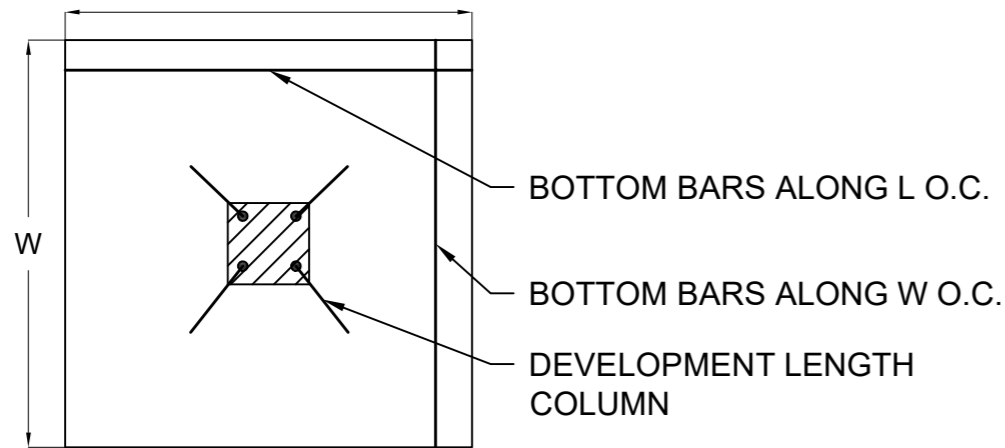
SCALE 1:100 METERS



DESIGNED BY : ENGR. JEFFERSON KEVIN A. LERIO, M.ENG - CE, F.PIGISS, A.SEA/CE, SEI, M.ASCE, M.ACI, M.PICE, RCE CIVIL STRUCTURAL ENGINEER PRC REG NO: 0106341 DATE REG: 12/4/2018 TIN: 355-429-468 PTR NO: 3745750 PLACE OF ISSUE: TAGUM CITY DATE OF ISSUE: 01/20/2025	VERIFIED BY :	RECOMMENDING APPROVAL :	APPROVED :	PROJECT TITLE : IMPROVEMENT OF TOURISM MANAGEMENT BUILDING (FORMERLY LABORATORY HIGH SCHOOL)	SHEET CONTENT : AS SHOWN	SHEET NO. : 4
	END-USER	PROJECT DEVELOPMENT OFFICER III	UNIVERSITY PRESIDENT	LOCATION : QSU - DIFFUN CAMPUS, DIFFUN, QUIRINO		
	CONTROL NO.:					

SCHEDULE OF FOOTING REINFORCEMENTS

MARK	THK (t)	GEOMETRY		FOOTING REINFORCEMENTS				EMBEDMENT (H)	CLEAR COVER (CC)	EFFECTIVE DEPTH (D)	REMARKS
		L	W	BOTTOM REINFORCEMENT		TOP REINFORCEMENT					
				ALONG L	ALONG W	ALONG L	ALONG W				
F-1	400	2500	2500	20mmØ @125mm O.C.	20mmØ @125mm O.C.	-	-	2500	75	325	ISOLATED
CF1	400	2500	4500	20mmØ @125mm O.C.	20mmØ @125mm O.C.	-	-	2500	75	325	COMBINED
CF2	400	2500	4675	20mmØ @125mm O.C.	20mmØ @125mm O.C.	-	-	2500	75	325	COMBINED
CF3	400	2500	5000	20mmØ @125mm O.C.	20mmØ @125mm O.C.	-	-	2500	75	325	COMBINED
MAT 1	400	5800	7825	20mmØ @125mm O.C.	20mmØ @125mm O.C.	-	-	2500	75	325	MATT



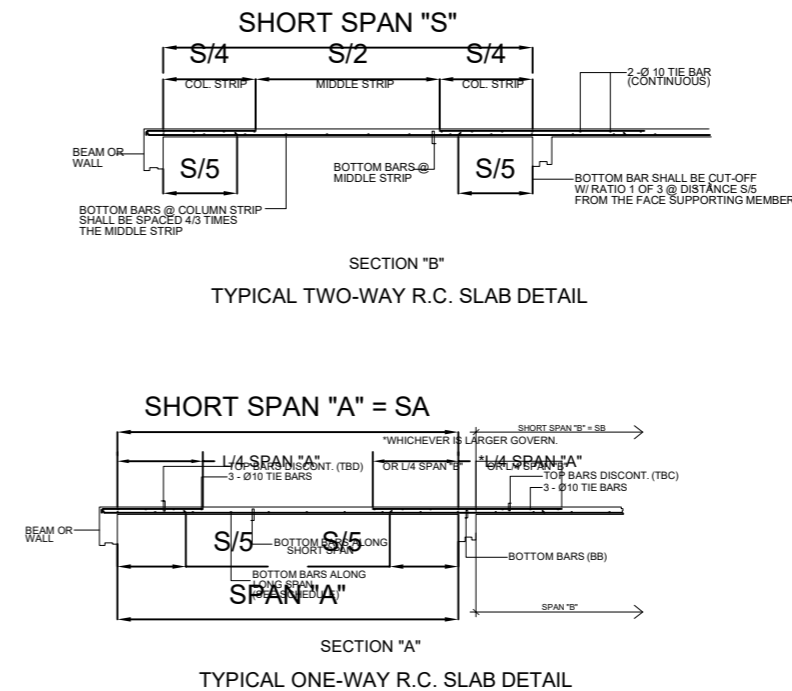
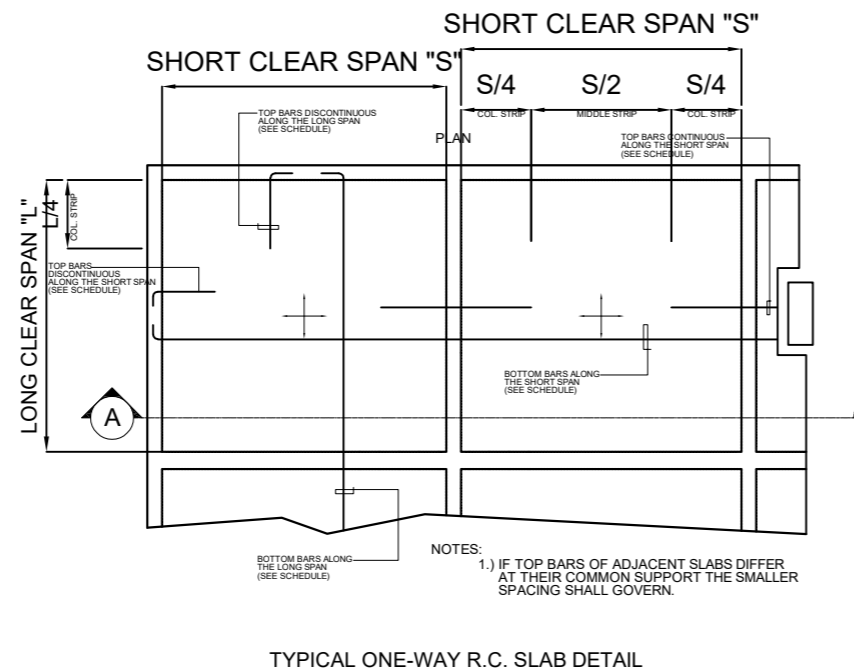
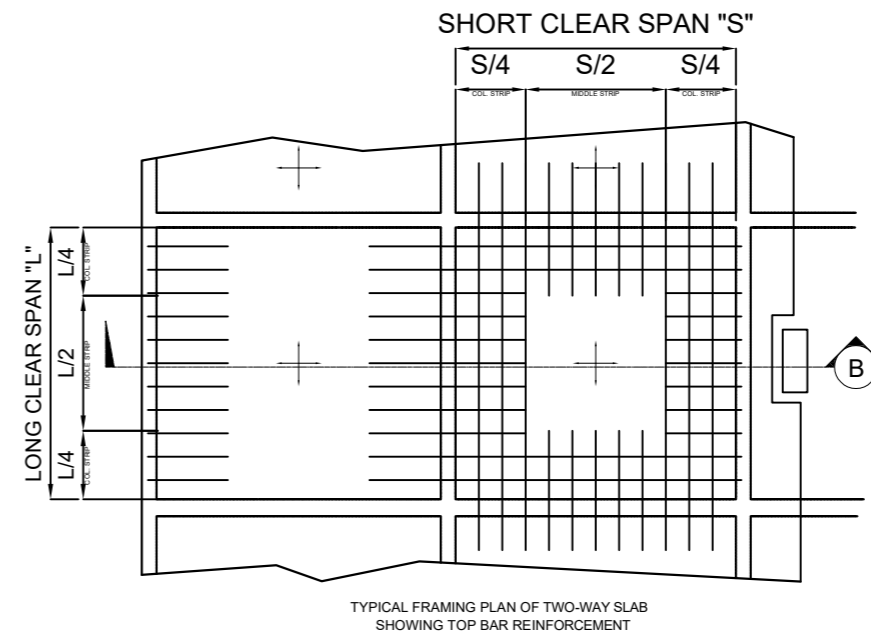
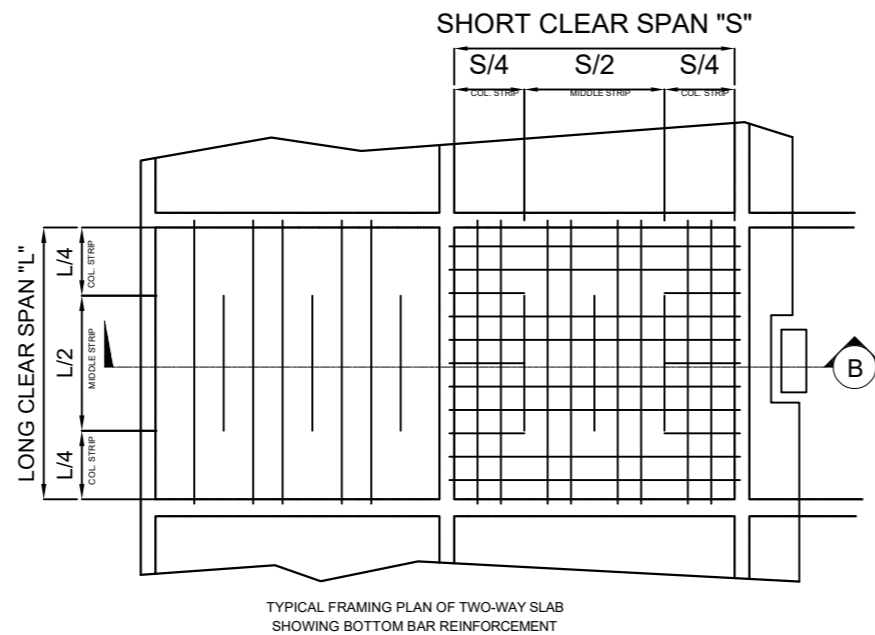
TYPICAL COMBINED FOOTING DETAILS
SCALE: DNTS

TYPICAL COLUMN - FOOTING DETAILS
SCALE: DNTS

 QUIRINO STATE UNIVERSITY <small>2012</small>	DESIGNED BY :	VERIFIED BY :	RECOMMENDING APPROVAL :	APPROVED :	PROJECT TITLE :	SHEET CONTENT :	SHEET NO. :	
	 ENGR. JEFFERSON KEVIN A. LERIO, M.ENG - CE, F.PIGISS, A.SEA/CE, ISEP, M.ASCE, M.ACI, M.PICE, RCE CIVIL/STRUCTURAL ENGINEER					IMPROVEMENT OF TOURISM MANAGEMENT BUILDING (FORMERLY LABORATORY HIGH SCHOOL)	AS SHOWN	5
	<small>PRC REG NO: 0196344 DATE REG: 12/14/2019 TIN: 355-429-468</small>	END-USER	PROJECT DEVELOPMENT OFFICER III	UNIVERSITY PRESIDENT	LOCATION : QSU - DIFFUN CAMPUS, DIFFUN, QUIRINO	CONTROL NO.:		

SCHEDULE OF SLABS

FLOOR LEVEL	MARK	THICKNESS	BAR SIZE	SHORT SPAN			LONG SPAN			REMARKS
				DISCONT.	MIDSPAN	CONT.	DISCONT.	MIDSPAN	CONT.	A - ONE WAY
				B - TWO WAY						
									C - CANTILEVER	
SECOND LEVEL	S1	150	12Ø	150	150	150	150	150	150	B
	S2	150	12Ø	150	150	150	150	150	150	B
	S3	150	12Ø	150	150	150	150	150	150	B



DESIGNED BY :
ENGR. JEFFERSON KEVIN A. LERIO, M.ENG - CE,
F.PIGISS, A.SEA, C.E., CEN, M.ASCE, M.ACI, M.PICE, RCE
REGISTERED STRUCTURAL ENGINEER

PRC REG NO: 0106344
DATE REG: 12/4/2018
TIN: 355-429-468

PTR NO: 3745750
PLACE OF ISSUE: TAGUM CITY
DATE OF ISSUE: 01/20/2025

VERIFIED BY :
END-USER

RECOMMENDING APPROVAL :
PROJECT DEVELOPMENT OFFICER III

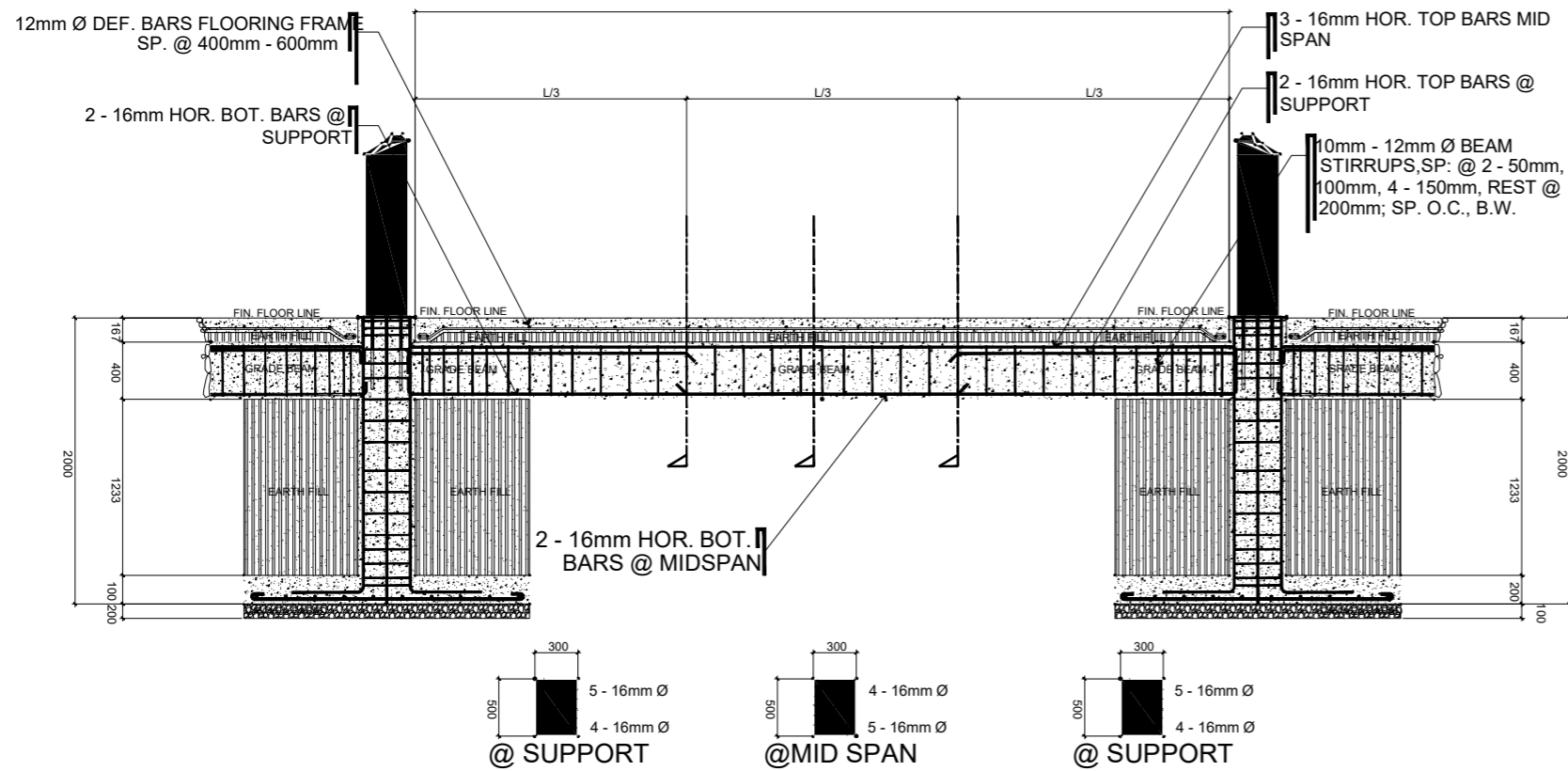
APPROVED :
UNIVERSITY PRESIDENT

PROJECT TITLE :
IMPROVEMENT OF TOURISM MANAGEMENT BUILDING (FORMERLY LABORATORY HIGH SCHOOL)

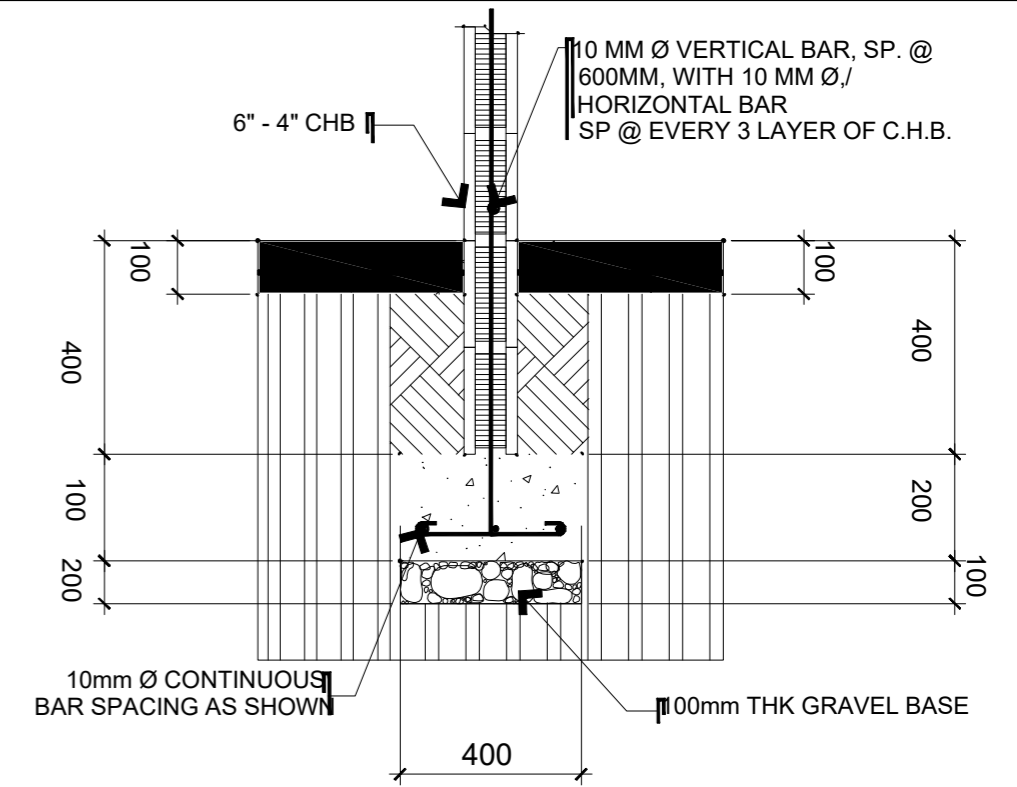
LOCATION :
QSU - DIFFUN CAMPUS, DIFFUN, QUIRINO

SHEET CONTENT :
AS SHOWN

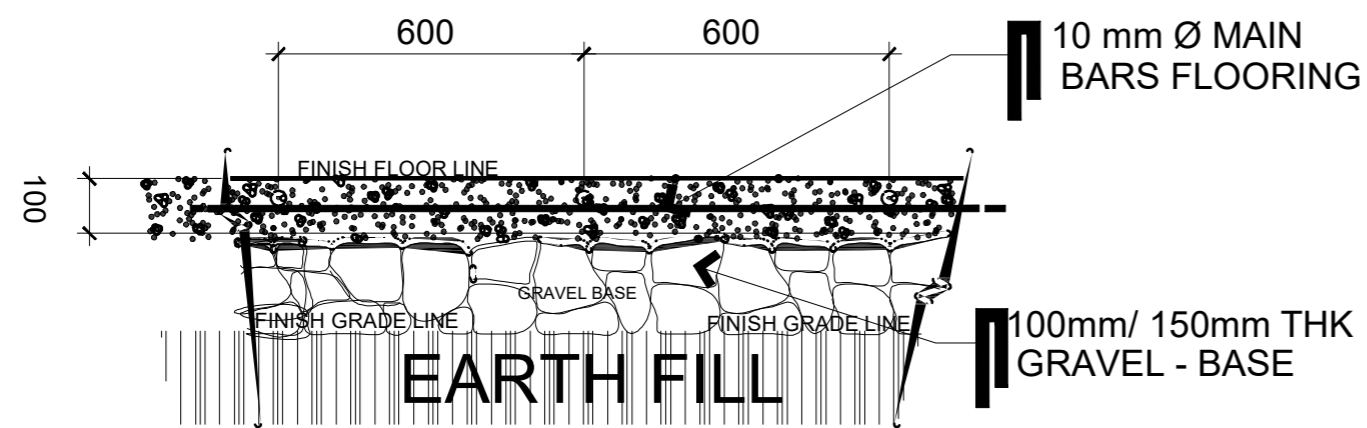
SHEET NO. :
6
STRUCTURAL
CONTROL NO.:



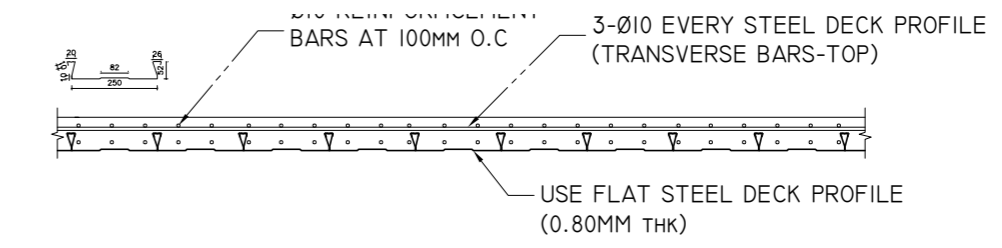
TYPICAL FOOTING TIE BEAM CONNECTION DETAIL
SCALE 1:300



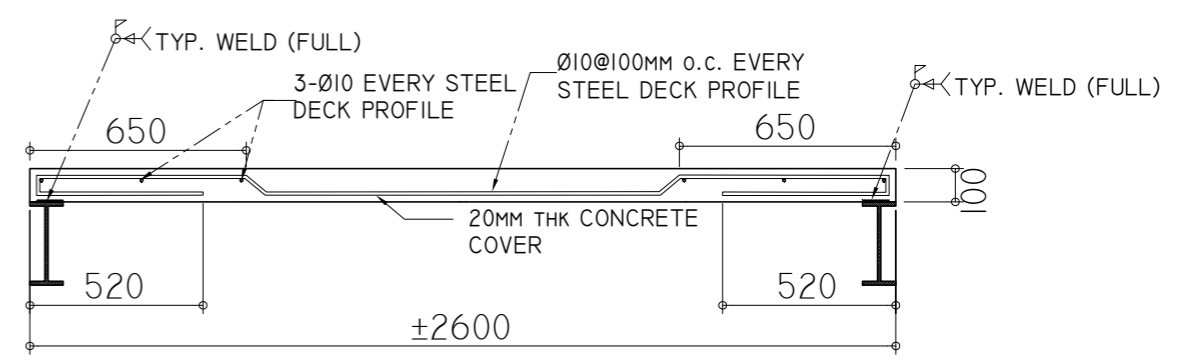
WALL FOOTING
SCALE 1:200



TYPICAL SLAB DETAIL
SCALE 1:200

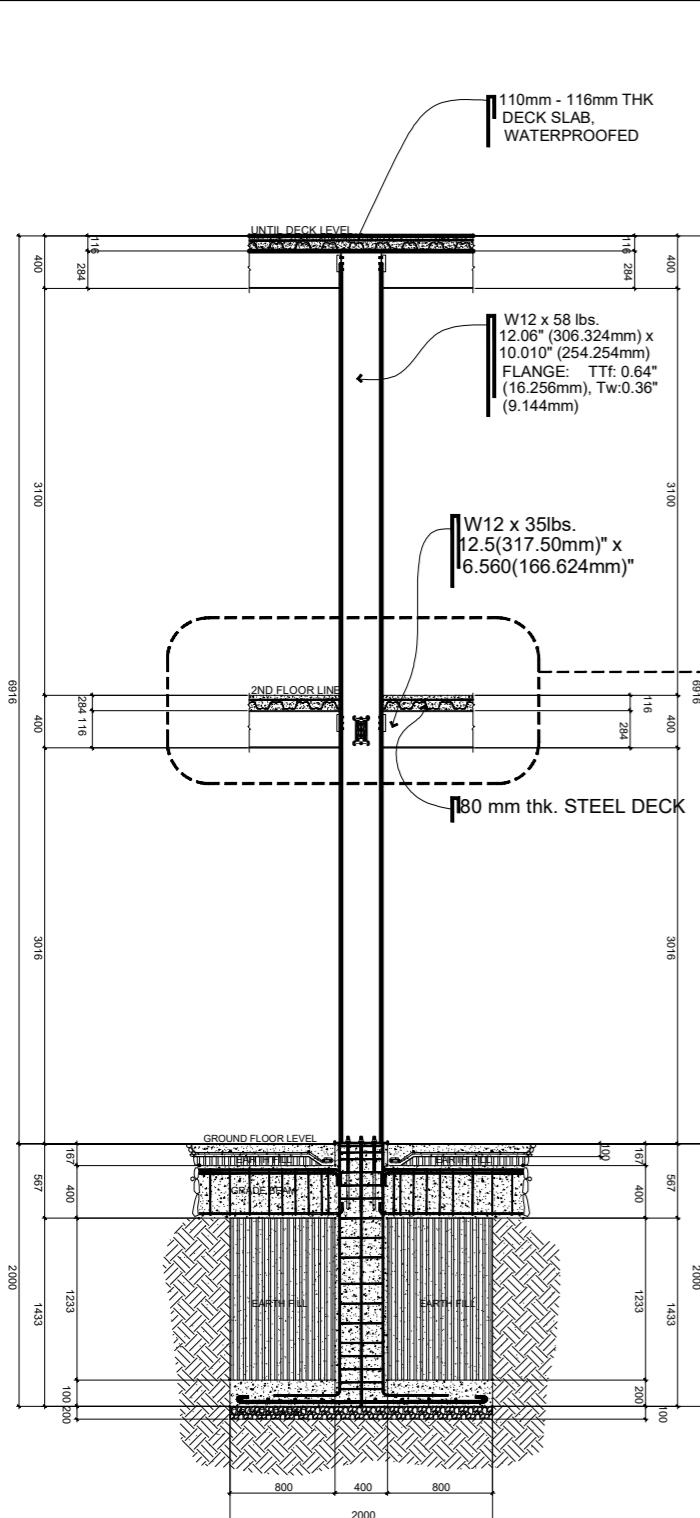


TYPICAL STEEL DECK SECTION
SCALE

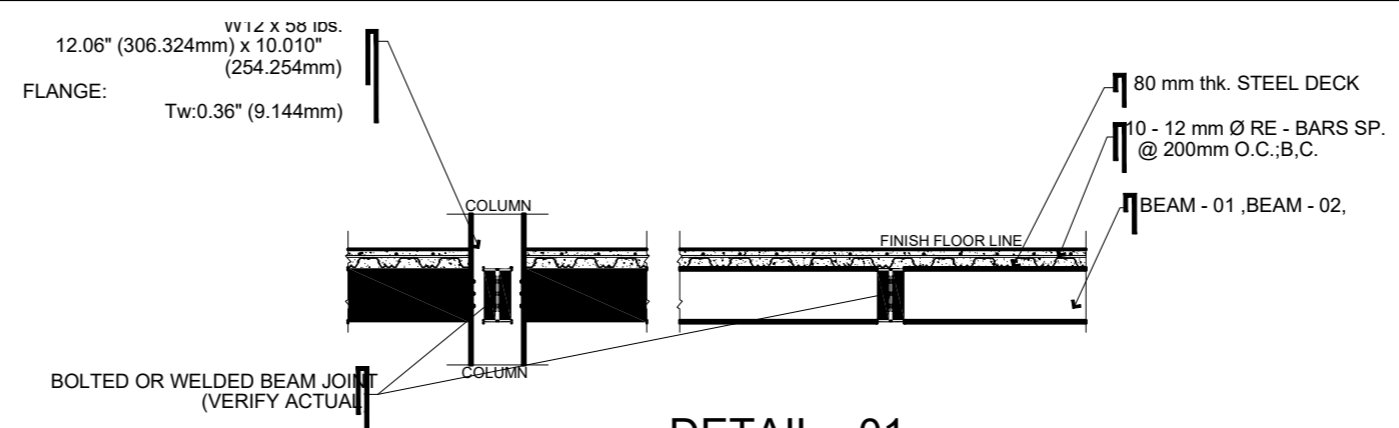


TYPICAL STEEL DECK SECTION
SCALE

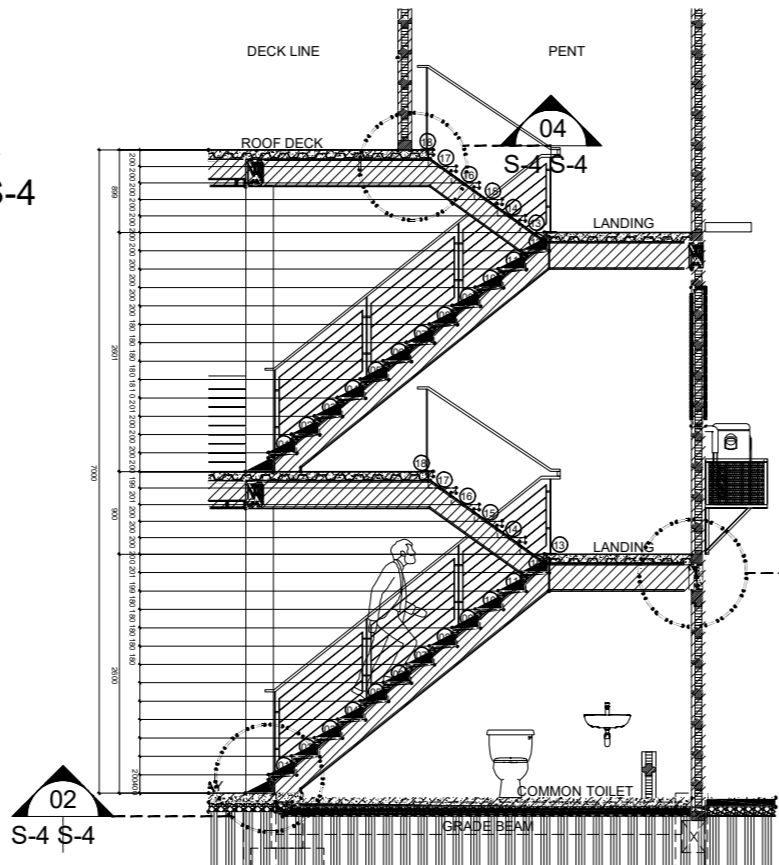
	DESIGNED BY :	VERIFIED BY :	RECOMMENDING APPROVAL :	APPROVED :	PROJECT TITLE :	SHEET CONTENT :	SHEET NO. :	
	 ENGR. JEFFERSON KEVIN A. LERIO, M.ENG - CE, F.PIGISS, A.SEA/CE, SEN. M.ASCE, M.ACI, M.PICE, RCE REGISTERED STRUCTURAL ENGINEER					IMPROVEMENT OF TOURISM MANAGEMENT BUILDING (FORMERLY LABORATORY HIGH SCHOOL)	AS SHOWN	7
	PRC REG NO: 0196341 DATE REG: 12/14/2018 TIN: 355-429-468	END-USER	PROJECT DEVELOPMENT OFFICER III	UNIVERSITY PRESIDENT	LOCATION :	STRUCTURAL		
	PTR NO: 3745750 PLACE OF ISSUE: TAGUM CITY DATE OF ISSUE: 01/20/2025				QSU - DIFFUN CAMPUS, DIFFUN, QUIRINO	CONTROL NO.:		



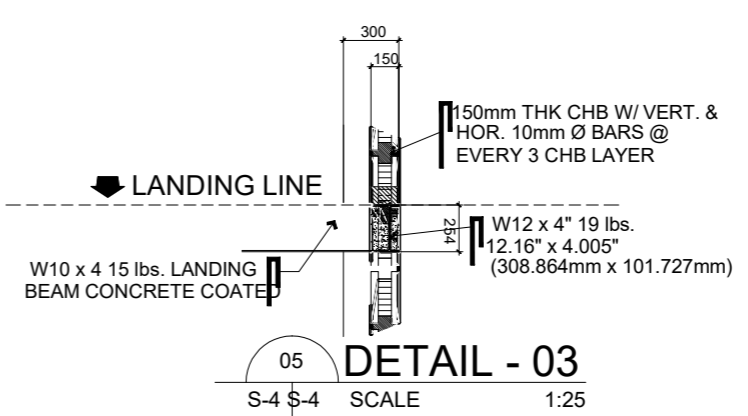
COLUMN BAY SECTION
SCALE 1:35



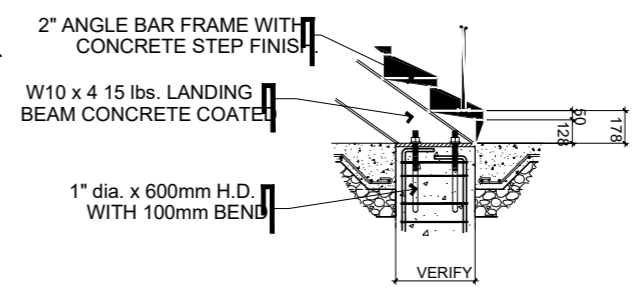
DETAIL - 01
SCALE 1:25



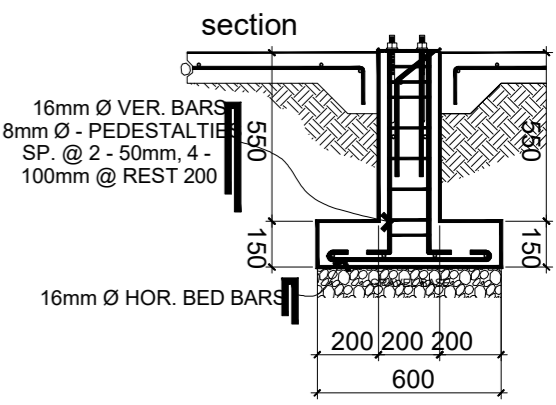
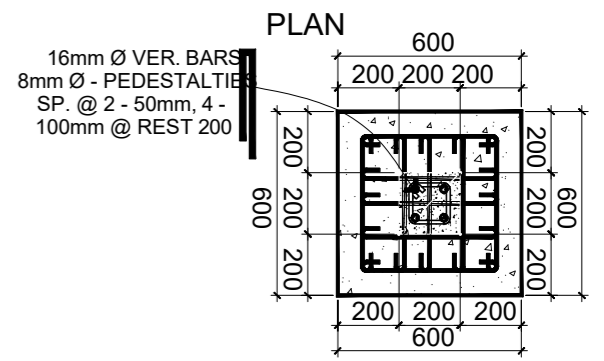
STAIR SECTION DETAIL
SCALE 1:50



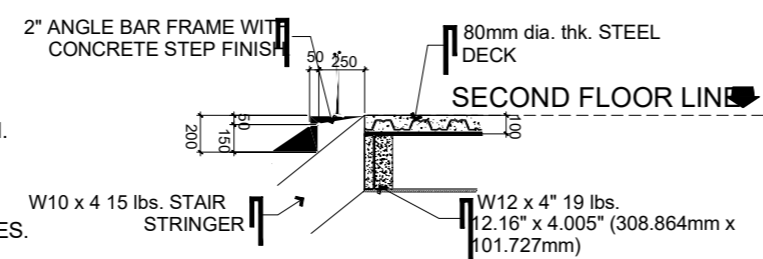
DETAIL - 03
SCALE 1:25



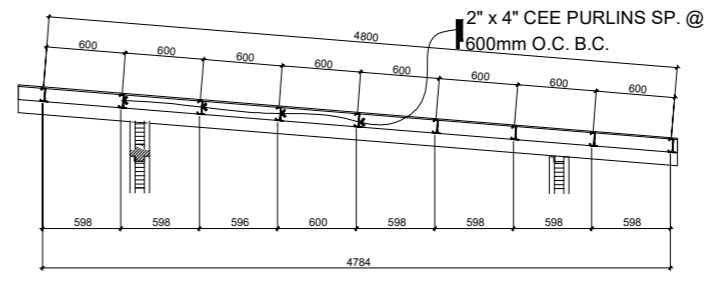
DETAIL - 04
SCALE 1:25



STAIR FOOTING SECTION
SCALE 1:1



DETAIL - 02
SCALE 1:25

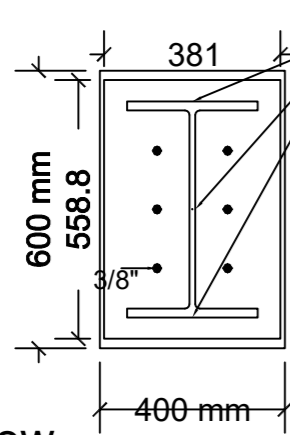


RAFTER SECTION
SCALE 1:15

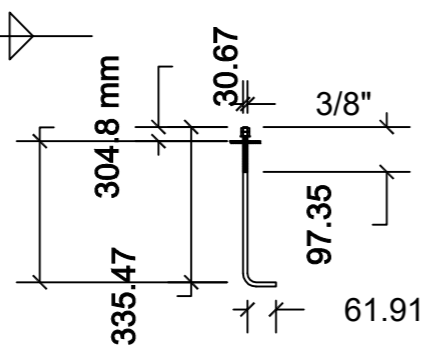
- NOTES:
1. ALL SPLICES TO BE PROVIDED NEAR THE MIDDLE OF COLUMN.
 2. NOT MORE THAN 50% OF COLUMN SHALL BE SPLICED AT ONE SECTION.
 3. COLUMN DETAILS IS SAME UP TO ROOF LEVEL.
 4. TRANSVERSE STIFFENERS WEB SPACING OF EVER 400mm SHOULD BE PROVIDED IN ALL COLUMNS AND BEAMS.
 5. SEE STRUCTURAL FRAMING PLAN ON SHEET No. 1 FOR ALL BEAMS SIZES.

	DESIGNED BY :	VERIFIED BY :	RECOMMENDING APPROVAL :	APPROVED :	PROJECT TITLE :	SHEET CONTENT :	SHEET NO. :	
	ENGR. JEFFERSON KEVIN A. LERIO, M.ENG - CE, F.PIGISS, A.SEAD, S.E., M.ASCE, M.ACI, M.PICE, RCE CIVIL STRUCTURAL ENGINEER					IMPROVEMENT OF TOURISM MANAGEMENT BUILDING (FORMERLY LABORATORY HIGH SCHOOL)	AS SHOWN	8
	PRC REG NO: 0196341 DATE REG: 12/14/2019 TIN: 355-429-468	PTR NO: 3745750 PLACE OF ISSUE: TAGUM CITY DATE OF ISSUE: 01/20/2025	END-USER	PROJECT DEVELOPMENT OFFICER III	UNIVERSITY PRESIDENT	LOCATION :		
					QSU - DIFFUN CAMPUS, DIFFUN, QUIRINO		CONTROL NO.:	

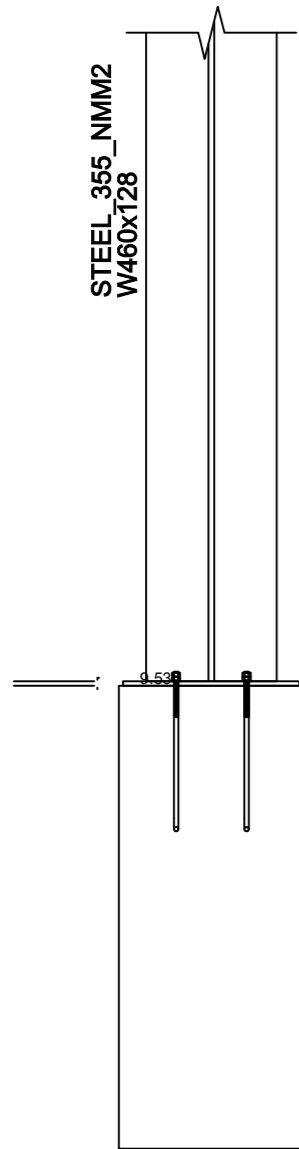
Top view



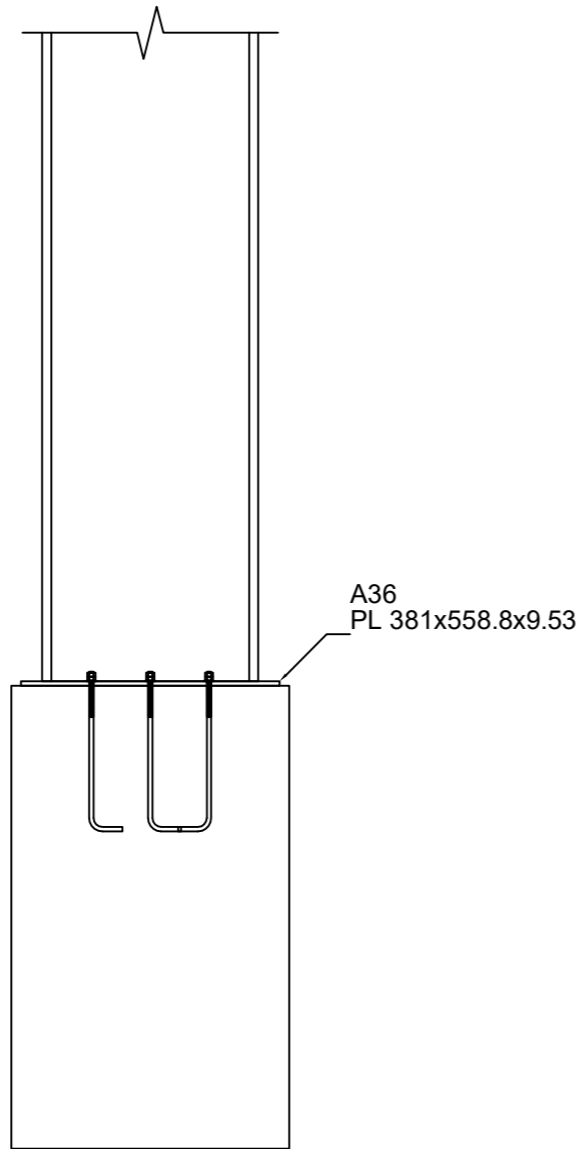
Anchor detailing, Sci.: 1:1



Lateral view

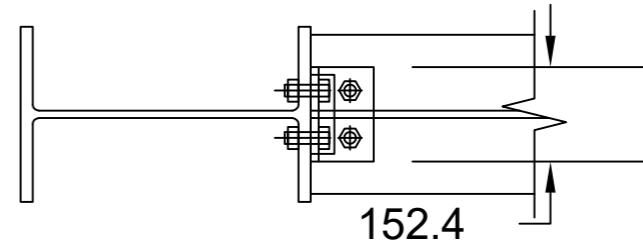


Front view

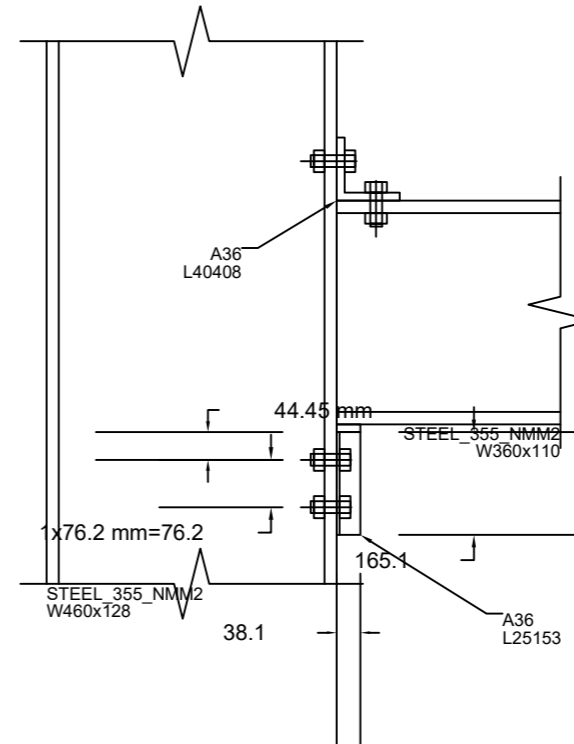


PEDESTAL AND BASE PLATE DETAIL

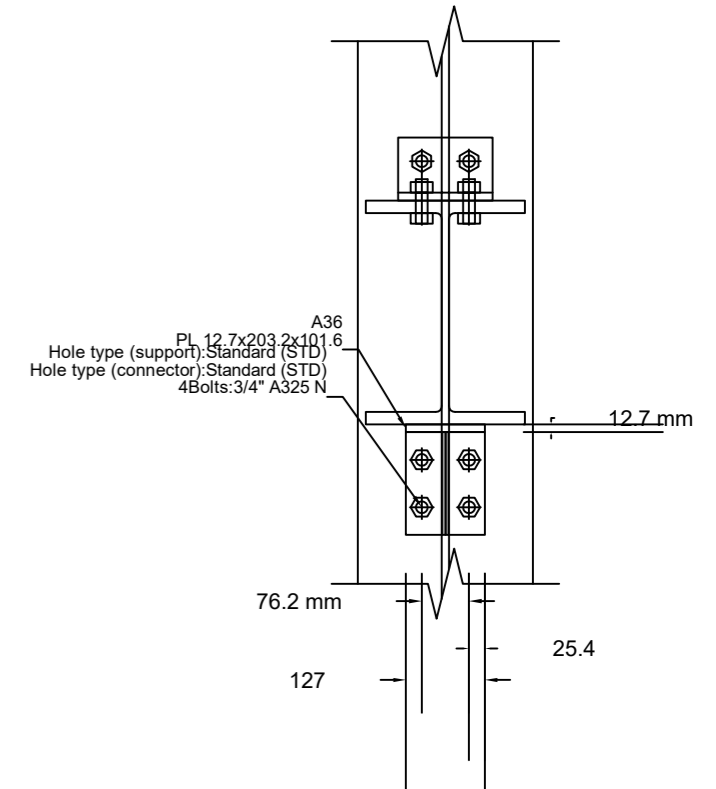
Top view



Lateral view



Front view



BEAM - COLUMN CONNECTION DETAIL



DESIGNED BY :
 ENGR. JEFFERSON KEVIN A. LERIO, M.ENG - CE,
 F.PIGISS, A.SEA/CE, SEI, M.ASCE, M.ACI, M.PICE, RCE
 CIVIL STRUCTURAL ENGINEER
 PRC REG NO: 0196341
 DATE REG: 12/14/2019
 TIN: 355-429-468
 PTR NO: 3745750
 PLACE OF ISSUE: TAGUM CITY
 DATE OF ISSUE: 01/20/2025

VERIFIED BY :
 END-USER

RECOMMENDING APPROVAL :
 PROJECT DEVELOPMENT OFFICER III

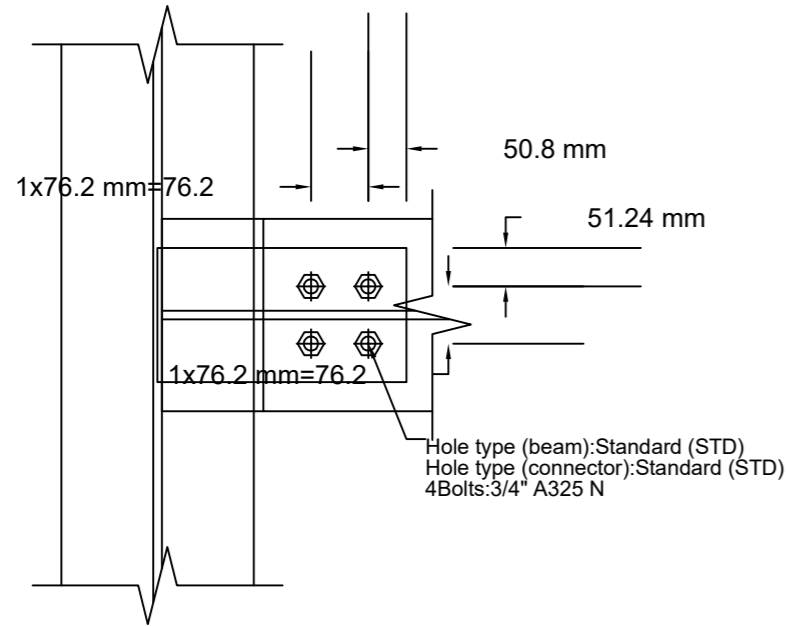
APPROVED :
 UNIVERSITY PRESIDENT

PROJECT TITLE :
 IMPROVEMENT OF TOURISM MANAGEMENT BUILDING
 (FORMERLY LABORATORY HIGH SCHOOL)
 LOCATION :
 QSU - DIFFUN CAMPUS, DIFFUN, QUIRINO

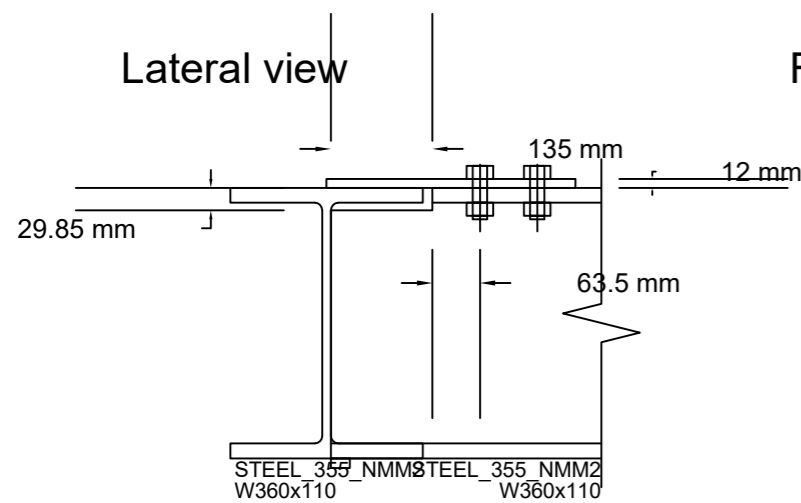
SHEET CONTENT :
 AS SHOWN

SHEET NO. :
 9
 STRUCTURAL
 CONTROL NO.:

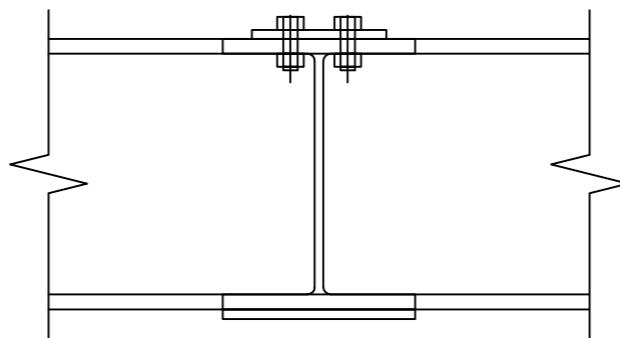
Top view



Lateral view

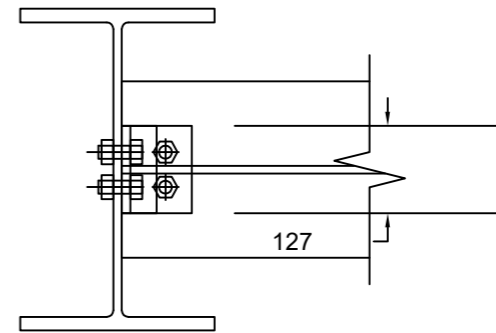


Front view

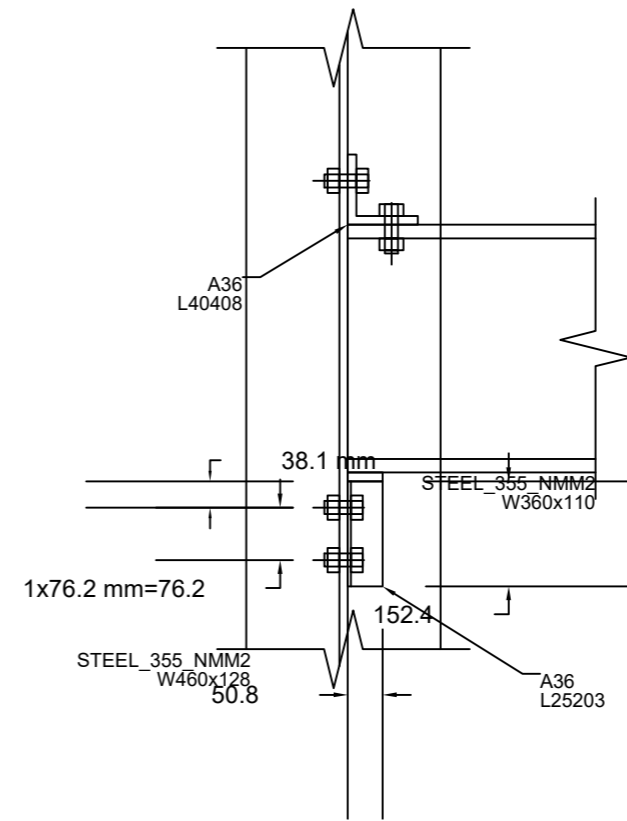


BEAM - COLUMN CONNECTION DETAIL

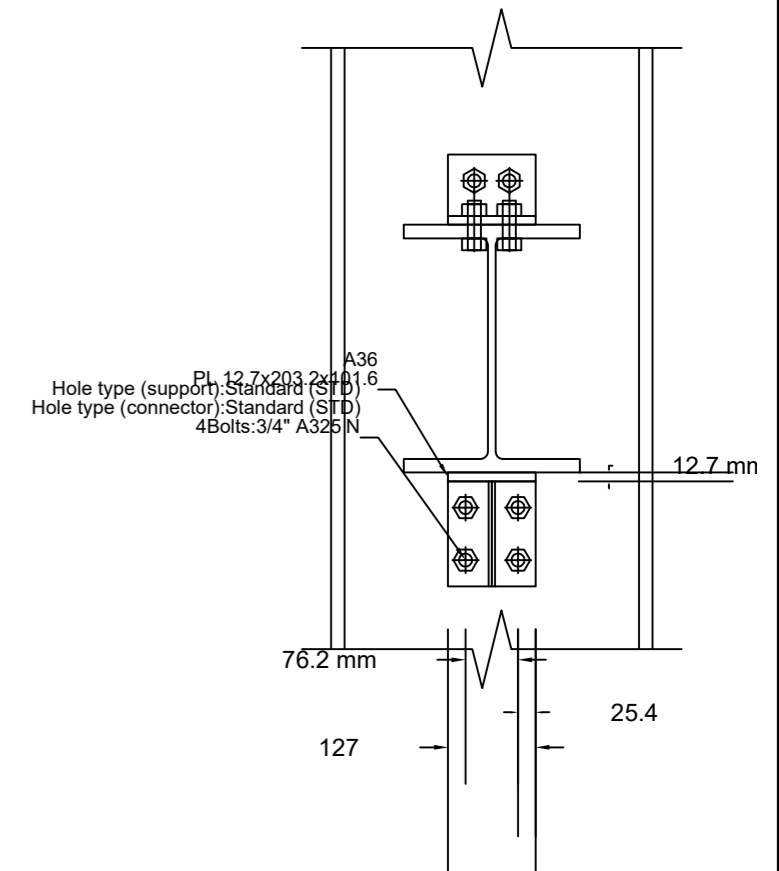
Top view




Lateral view

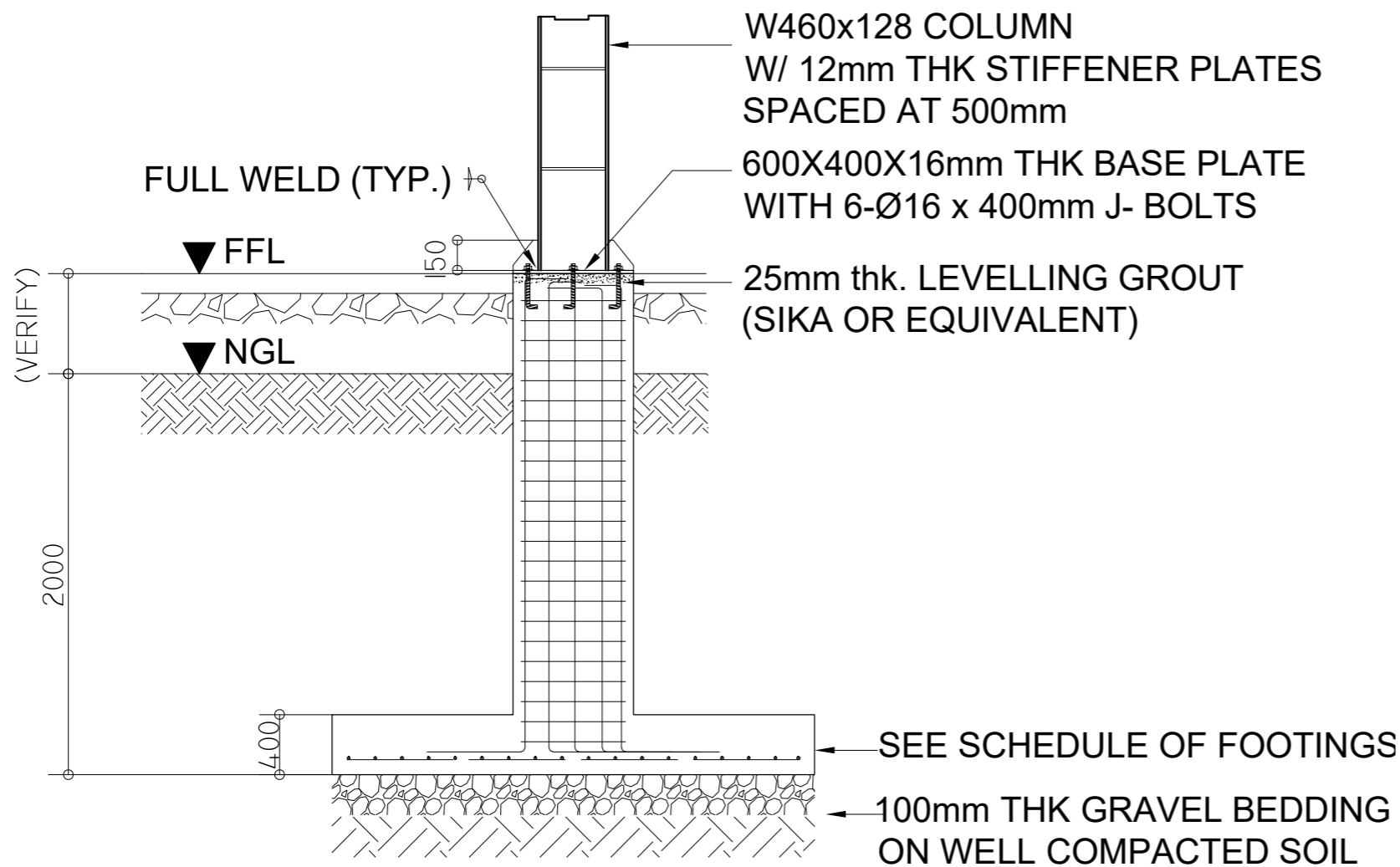
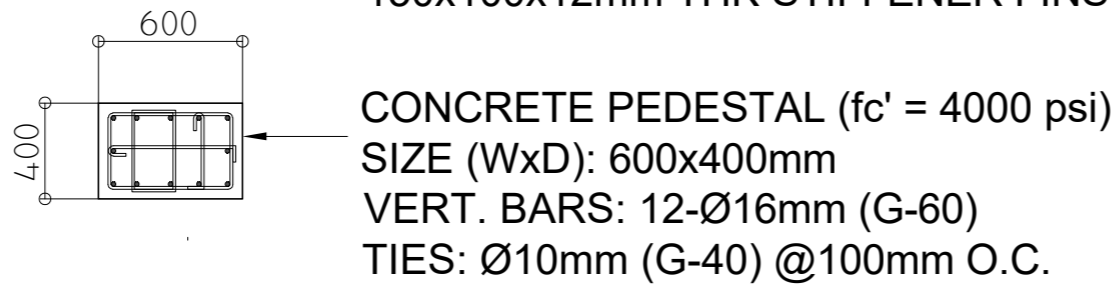
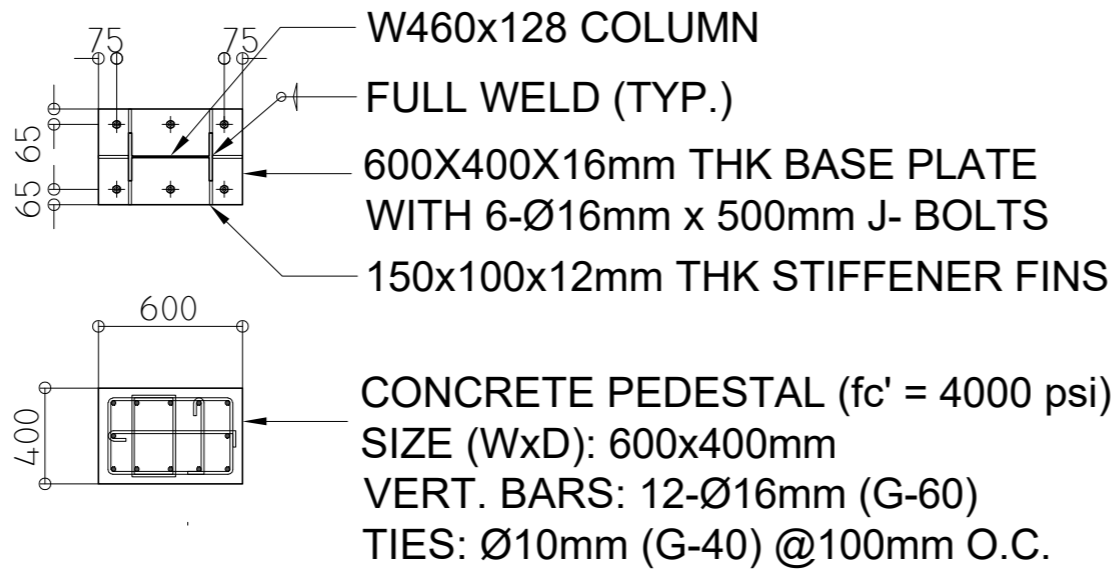


Front view



BEAM - BEAM CONNECTION DETAIL

	DESIGNED BY :	VERIFIED BY :	RECOMMENDING APPROVAL :	APPROVED :	PROJECT TITLE :	SHEET CONTENT :	SHEET NO. :	
	ENGR. JEFFERSON KEVIN A. LERIO, M.ENG - CE, F.PIGISS, A.SEA/CE, SEJ, M.ASCE, M.ACI, M.PICE, RCE CIVIL STRUCTURAL ENGINEER					IMPROVEMENT OF TOURISM MANAGEMENT BUILDING (FORMERLY LABORATORY HIGH SCHOOL)	AS SHOWN	10
	PRC REG NO: 0198341 DATE REG: 12/4/2019 TIN: 355-429-468	PTR NO: 3745750 PLACE OF ISSUE: TAGUM CITY DATE OF ISSUE: 01/20/2025	END-USER	PROJECT DEVELOPMENT OFFICER III	UNIVERSITY PRESIDENT	LOCATION :		
					QSU - DIFFUN CAMPUS, DIFFUN, QUIRINO		CONTROL NO.:	



PEDESTAL TYPICAL DETAIL
 SCALE DNTS

BEAM DESIGNATION

MARK	DESIGNATION	REMARKS
B1	W360X110	WITH 12mm thk. STIFFENER PLATES @500MM O.C. FROM GF TO ROOF LEVEL

COLUMN DESIGNATION

MARK	DESIGNATION	REMARKS
C-1	W460X128	WITH 12mm thk. STIFFENER PLATES @500MM O.C. FROM GF TO ROOF LEVEL



DESIGNED BY : ENGR. JEFFERSON KEVIN A. LERIO, M.ENG - CE, F.PIGISS, A.SEAD, C.E., SEI, M.ASCE, M.ACI, M.PICE, RCE CIVIL STRUCTURAL ENGINEER	VERIFIED BY : END-USER	RECOMMENDING APPROVAL : PROJECT DEVELOPMENT OFFICER III	APPROVED : UNIVERSITY PRESIDENT	PROJECT TITLE : IMPROVEMENT OF TOURISM MANAGEMENT BUILDING (FORMERLY LABORATORY HIGH SCHOOL)	SHEET CONTENT : AS SHOWN	SHEET NO. : 11
PRC REG NO: 0196341 DATE REG: 12/14/2019 TIN: 355-429-468	PTR NO: 3745750 PLACE OF ISSUE: TAGUM CITY DATE OF ISSUE: 01/20/2025			LOCATION : QSU - DIFFUN CAMPUS, DIFFUN, QUIRINO		STRUCTURAL CONTROL NO.:

GENERAL NOTES & STANDARDS

GENERAL

- IN THE INTERPRETATION OF THESE DRAWINGS INDICATED DIMENSIONS SHALL GOVERN ALL DIMENSIONS, DISTANCES AND SIZES SHALL NOT BE SCALED FOR CONSTRUCTION PURPOSES.
- UNLESS OTHERWISE SPECIFIED ON PLANS, ALL DIMENSIONS ARE IN METERS.

DESIGN CRITERIA

1. DESIGN SPECIFICATION

ALL DESIGN SHALL CONFORM TO NATIONAL STRUCTURAL CODE OF THE PHILIPPINES (NSCP) FOR BUILDINGS, TOWERS & OTHER VERTICAL STRUCTURES, 2015, WHICH INCLUDES SEISMIC DESIGN.

2. LOADINGS

- | | | |
|---|---|--|
| <p>a. LIVE LOAD</p> <p>(1) ROOF = 2.50 kPa
(2) CLASSROOM = 1.90 kPa
(3) CORRIDOR = 3.80 kPa</p> | <p>b. DEAD LOAD</p> <p>(1) CONCRETE = 24.0 kN/m³
(2) STEEL = 76.93 kN/m³
(3) CHB = 12.44 kN/m (6") 11.92 kN/m (4")
(4) FLOOR = 3.60 kPa
(5) ROOF = 3.00 kPa</p> | <p>c. WIND LOAD</p> <p>$P = C_e C_q Q_s I$
where:
P = ACTUAL WIND PRESSURE
C_e = GUST FACTOR COEFF. = 0.0-30
C_q = PRESSURE COEFF. = 0.40 INWARD
= 0.60 OUTWARD
Q_s = 1.0 kPa
I = OCCUPANCY FACTOR = 1.0</p> |
|---|---|--|
- d. SEISMIC LOAD
- $$V = \frac{ZIC(W)}{R_w}$$
- where:
- | | |
|----------------------------------|---------------------------------------|
| V = TOTAL BASE SHEAR | $N_a = 1.2, N_v = 1.6$ |
| Z = SEISMIC ZONE FACTOR = 0.40 | $C = \frac{1.25 S}{T^{2/3}} < 2.75$ |
| I = IMPORTANCE FACTOR = 1.00 | S = SITE COEFF. = 1.0 |
| R_w = NUMERICAL COEFF. = 8.5 | T = FUNDAMENTAL PERIOD OF VIBRATION |
| W = TOTAL DEAD WEIGHT OF BLDG. | |

MATERIALS

1. CONCRETE

UNLESS INDICATED OTHERWISE ON PLANS, THE CONCRETE CLASS AND STRENGTH SHALL BE AS FOLLOWS:

STRUCTURAL MEMBER	CLASS	28-DAY CYLINDER STRENGTH	
		MPa	PSI
FOOTINGS AND TIED BEAMS	A	35.00	5100
SLABS ON FILL AND PARTITIONS		20.70	3000
PRE CAST/ PRE-STRESSED COLUMNS, BEAMS AND SLABS		35.00	5100

2. REINFORCING STEEL

- REINFORCING STEEL SHALL ALL GRADE 60 WITH A YIELD STRENGTH OF $f_y = 415$ MPa (61,000 PSI) FOR ALL DIAMETERS OF DEFORMED ROUND BAR (DRB)
- REINFORCING STEEL SHALL BE FREE OF MILL SCALES, OIL OR ANY SUBSTANCES WHICH WILL WEAKEN THE BOND WITH CONCRETE.

3. STRUCTURAL STEEL, BOLTS AND WELDS

MATERIAL	SPECIFICATION
TRUSSES, PURLINS, PLATES, BRACINGS, ETC.	ASTM A-36 $f_y = 248$ MPa
BOLTS	ASTM A-307 $f_v = 69$ MPa; $f_{st} = 96.60$ MPa
WELDS	E = 60xx ELECTRODES $f_v = 94$ MPa

CONSTRUCTION

CONSTRUCTION SPECIFICATION: 1995 DPWH STANDARD SPECIFICATIONS FOR PUBLIC WORKS STRUCTURES (VOL. II AND VOL. III)

1. SETTING OUT

THE SETTING OUT AND THE ELEVATIONS OF THE DIFFERENT COMPONENTS OF THE STRUCTURE SHALL BE APPROVED BY THE ENGINEER PRIOR TO THE START OF ANY CONSTRUCTION WORK.

2. REINFORCED CONCRETE

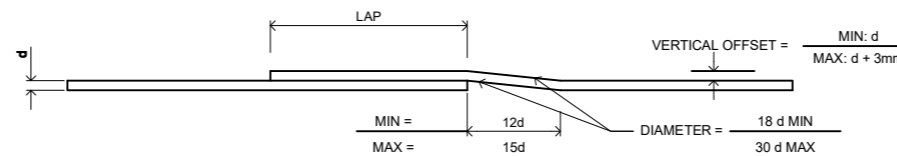
a. CONCRETE MIX AND PLACING

- DESIGN OF CONCRETE MIX SHALL MEET THE DESIGN CONCRETE STRENGTH GIVEN UNDER ITEM 1 OF MATERIALS.
- CONCRETE SHALL BE DEPOSITED, VIBRATED AND CURED IN ACCORDANCE WITH THE SPECIFICATIONS
- THE CONTRACTOR SHALL SUBMIT TO THE ENGINEER FOR APPROVAL PLACING SEQUENCES FOR ALL CONCRETING WORK.

b. BAR BENDING, SPLICING AND PLACING

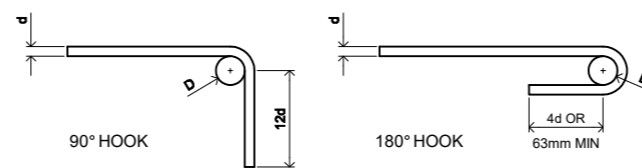
- THE CONTRACTOR SHALL SUBMIT TO THE ENGINEER FOR APPROVAL OF SHOP DRAWINGS INDICATING THE BENDING, CUTTING, SPLICING AND INSTALLATION OF ALL REINFORCING BARS.
- BARS SHALL BE BENT COLD, BARS PARTIALLY EMBEDDED IN CONCRETE SHALL NOT BE FIELD BENT UNLESS PERMITTED BY THE ENGINEER.
- BAR SPLICING NOT INDICATED ON DRAWINGS SHALL BE SUBJECT TO THE APPROVAL OF THE ENGINEER.
- WELDED SPLICES, IF APPROVED BY THE ENGINEER, SHALL DEVELOP IN TENSION AT LEAST 125% OF THE SPECIFIED YIELD STRENGTH OF BARS.
- NOT MORE THAN 50% OF THE BARS AT ANY ONE SECTION SHALL BE SPLICED.
- UNLESS OTHERWISE SHOWN ON DRAWINGS, THE CLEAR DISTANCE BETWEEN PARALLEL BARS IN A LAYER SHALL NOT BE LESS THAN 1.5 TIMES THE NOMINAL DIAMETER OF THE BAR NOR LESS THAN 1.5 TIMES THE MAXIMUM SIZE OF COARSE AGGREGATE, THE CLEAR DISTANCE BETWEEN LAYERS SHALL NOT BE LESS THAN 25mm NOR ONE BAR DIAMETER. THE BARS IN THE UPPER LAYER SHALL BE PLACED DIRECTLY ABOVE THOSE IN THE BOTTOM LAYER.

(7) CRANKED SPLICES

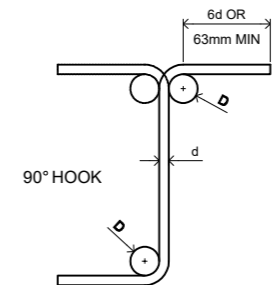


(8) HOOKS AND BENDS

DIMENSIONS OF 90° AND 180° HOOKS



DIMENSIONS FOR STIRRUPS AND TIE HOOKS



c. CONCRETE COVER TO REINFORCEMENT

MINIMUM CONCRETE COVER TO REINFORCEMENT SHALL BE 75mm UNLESS SHOWN OTHERWISE ON DRAWINGS.

d. CONSTRUCTION JOINT

- THE POSITION AND FORM OF ANY CONSTRUCTION JOINTS SHALL BE AS SHOWN ON DRAWINGS OR AS AGREED WITH THE ENGINEER.
- THE INTERFACE BETWEEN THE FIRST AND SECOND POUR OF CONCRETE SHALL BE ROUGHED WITH AN AMPLITUDE OF 6mm MINIMUM.

e. FALSEWORK

ALL FALSEWORK SHALL BE DESIGNED BY THE CONTRACTOR SUBJECT TO THE APPROVAL BY THE ENGINEER. THE FALSEWORK SHALL BE REMOVED ONLY AS DIRECTED BY THE ENGINEER.

f. FORMWORK

FORMWORKS SHALL BE CONSTRUCTED SUCH THAT IT WILL NOT YIELD UNDER THE LOAD AND SHALL BE AS TO AVOID THE FORMATION OF FINE.

3. STRUCTURAL STEEL

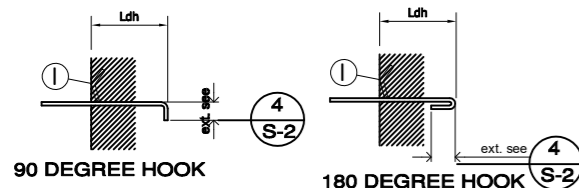
- IN ACTUAL FABRICATION OF STEEL TRUSSES, MEMBERS MEETING AT A POINT SHALL HAVE THEIR GRAVITY AXIS INTERSECT AS NEARLY AS PRACTICABLE AT A COMMON POINT.
 - THE CONTRACTOR SHALL PROVIDE TEMPORARY ERECTION BRACINGS AND SHORING, AND MAKE ACTUAL MEASUREMENTS IN THE FIELD PRIOR TO FABRICATION / INSTALLATION OF ALL TRUSSES.
 - THE CONTRACTOR SHALL PREPARE AND SUBMIT SHOP DRAWINGS FOR ALL STRUCTURAL STEEL WORKS. THESE SHOP DRAWINGS SHALL BE APPROVED BY THE REGIONAL DIRECTOR, DPWH R.O. XI, BEFORE ANY FABRICATION COMMENCES.
4. PRE CAST/ PRE-STRESSED MEMBERS (COLUMNS, BEAMS & SLAB)
- THE CONTRACTOR SHALL SUBMIT DESIGN COMPUTATIONS AND SHOP DRAWING FOR ALL PRE CAST/PRE-STRESSED MEMBERS, DULY SIGNED AND SEALED BY A STRUCTURAL ENGINEER BEFORE ANY FABRICATION, ERECTION AND INSTALLATION COMMENCES. THESE SHOP DRAWINGS SHALL BE APPROVED BY THE REGIONAL DIRECTOR, DPWH R.O. XI.

	DESIGNED BY :	VERIFIED BY :	RECOMMENDING APPROVAL :	APPROVED :	PROJECT TITLE :	SHEET CONTENT :	SHEET NO. :	
	 ENGR. JEFFERSON KEVIN A. LERIO, M.ENG - CE, F.PIGISS, A.SEAD, C.E., CSE, M.ASCE, M.ACI, M.PICE, RCE REGISTERED STRUCTURAL ENGINEER					IMPROVEMENT OF TOURISM MANAGEMENT BUILDING (FORMERLY LABORATORY HIGH SCHOOL)	AS SHOWN	12
	PRC REG NO: 0190341 DATE REG: 12/14/2019 TIN: 355-429-468	PTR NO: 3745750 PLACE OF ISSUE: TAGUM CITY DATE OF ISSUE: 01/20/2025	END-USER	PROJECT DEVELOPMENT OFFICER III	UNIVERSITY PRESIDENT	LOCATION : QSU - DIFFUN CAMPUS, DIFFUN, QUIRINO		STRUCTURAL CONTROL NO.:

bar diameter (mm)	Ld (mm)	
	TOP BARS	OTHERS
10	400	300
12	550	400
16	685	500
20	890	630
25	1600	1160
28	2030	1450

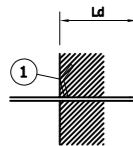
NOTE : FOR CLASS "C" SPLICE LENGTHS, MULTIPLY ABOVE VALUES BY 1.3.

1 CLASS "B" SPLICE LENGTHS
SCALE: NTS



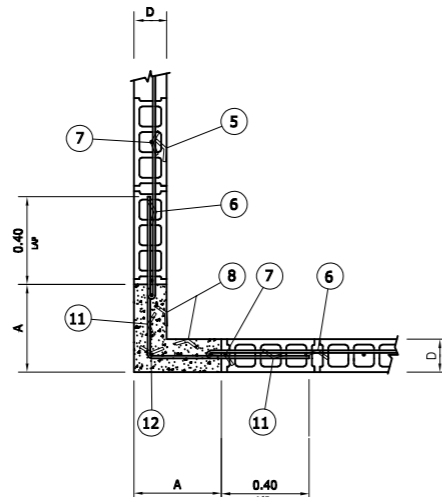
BAR SIZE (mm)	Ldh (mm)
10 Ø	150
12 Ø	200
16 Ø	250
20 Ø	300
28 Ø	460

2 MINIMUM HOOKED BARS DEVELOPMENT LENGTH
SCALE: NTS

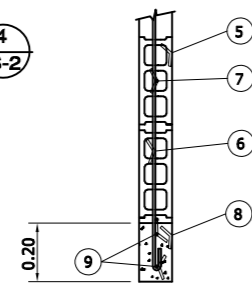


bar diameter (mm)	Ldh (mm)	
	TOP BARS	OTHERS
10	300	300
12	300	300
18	530	380
20	690	485
25	1220	890
28	1550	1120

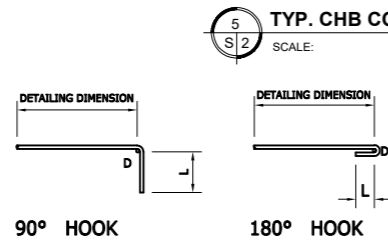
3 DEVELOPMENT LENGTH OF STRAIGHT BARS
SCALE: NTS



AT CORNER



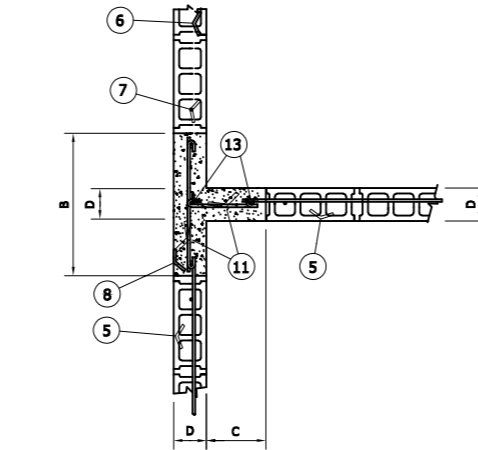
AT END/JAMB



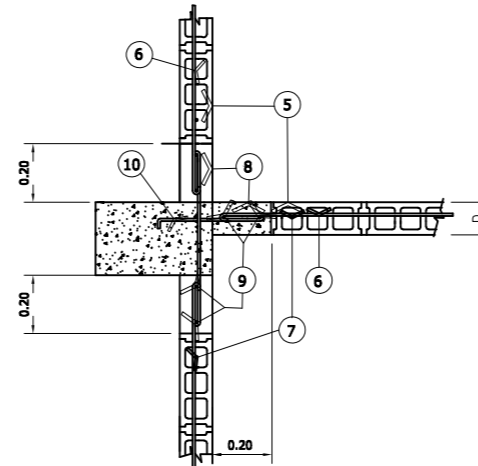
90° HOOK 180° HOOK

bar size (mm)	D (mm)	180° HOOK L(mm)	90° HOOK L(mm)
10 Ø	60	65	120
12 Ø	72	65	145
16 Ø	96	65	195
20 Ø	120	80	240
25 Ø	150	100	300
28 Ø	224	115	340

4 STANDARD HOOK DIMENSIONS
SCALE: NTS



AT INTERSECTION

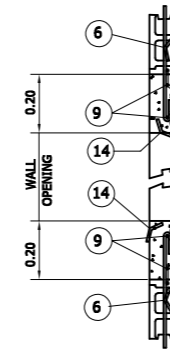


TO R.C. COLUMN

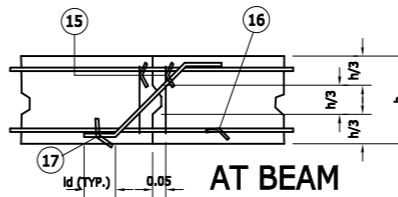
5 TYP. CHB CONNECTION DETAILS
SCALE: NTS

DESIGNATION	101.6 mm chb	152.4 mm chb
A	304.78	406.4
B	304.78	406.4
C	203.2	254.0
D	101.6	152.4

10 DIMENSIONS OF RC STIFFENER COLUMN
SCALE: NTS

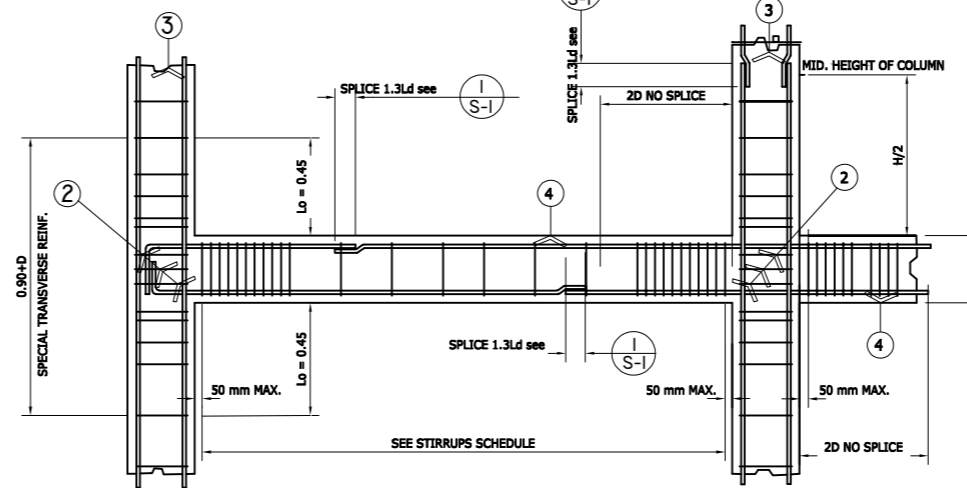


9 TYPICAL DETAIL AT WALL OPENING
SCALE: NTS



7 TYP. CONSTRUCTION JOINT DETAIL
SCALE: NTS

NOTE :
1. EXTEND LINTEL BEAM AND BOND BEAM AT LEAST 0.60 MTR. ON EACH SIDE OF THE WALL OPENING.

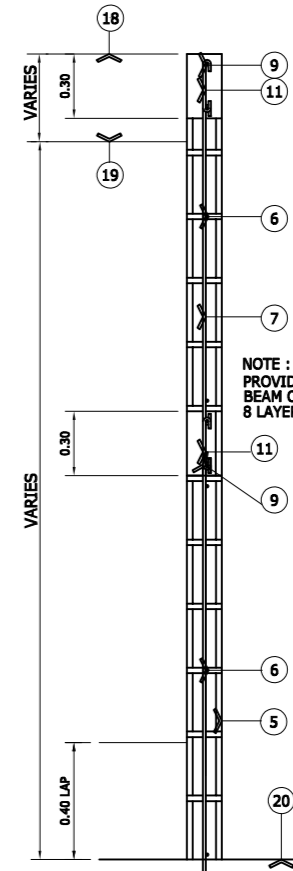


6 STANDARD BEAM-COLUMN DETAIL
SCALE: NTS

NOTES :

1. TERMINATE ALL REQUIRED TOP AND BOTTOM BARS AT THE FAR FACE OF THE COLUMN CORE.
2. MINIMUM DEVELOPMENT LENGTH
L1 = ld FOR TOP BARS
L2 = ld FOR OTHERS
3. UNLESS NOTED OTHERWISE
I1 = ln / 4
I2 = ln / 3
I1 and I2 SHOULD NOT BE LESS THAN ld.
4. LAP SPLICE WITHIN THE JOINT IS NOT ALLOWED.
5. AT LAP SPLICE, SPACING OF TIES SHALL BE 100 mm.

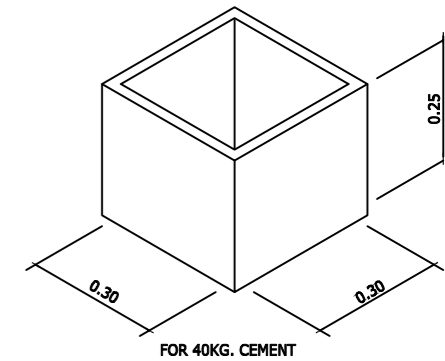
- 1 CRITICAL SECTION
- 2 12 mmØ REINFORCED AT 101.6 mm O.C. MINIMUM.
- 3 REINFORCED CONCRETE COLUMN
- 4 REINFORCED CONCRETE BEAM
- 5 CONCRETE HOLLOW BLOCKS (101.6 mm THK. OR 152.4 mm THK.)
- 6 10 mmØ HORIZONTAL BARS SP. @ 0.60 m. O.C.
- 7 12 mmØ VERTICAL BARS SP. AT 0.60 m O.C.
- 8 REINFORCED CONCRETE STIFFENER COLUMN
- 9 2 - 12 mmØ VERTICAL BAR SPACED AS SHOWN
- 10 10mmØ DOWEL BARS TO MATCH HORIZONTAL BARS
- 11 10mmØ TIES SPACED AT 0.20 m O.C.
- 12 3 - 12 mmØ BARS SPACED AS SHOWN
- 13 4 - 12 mmØ BARS SPACED AS SHOWN
- 14 REINFORCED CONCRETE BOND BEAM (SEE NOTE: NO. 1)
- 15 TWO (2) ADDITIONAL STIRRUPS
- 16 TOP AND BOTTOM BARS TO RUN THRU JOINT UNINTERRUPTED
- 17 2 - 20 mm / DIAGONAL SHEAR BARS
- 18 TOP LINE OF LINTEL BEAM
- 19 FINISH CEILING LINE
- 20 FINISH FLOOR LINE



INTERIOR PARTITION

8 TYPICAL INTERIOR CHB WALL SECTION DETAIL
SCALE: NTS

INSIDE DIMENSIONS OF MEASURING BOX FOR CONCRETE PROPORTIONING



11 DETAIL OF MEASURING BOX
SCALE: NTS

NOTE :

SPLICES IN REQUIRED REINFORCING OF BEAMS FRAMING INTO COLUMNS WILL NOT BE LOCATED WITHIN THE COLUMN NOR WITHIN A DISTANCE OF TWICE THE MEMBER DEPTH FROM THE FACE OF THE COLUMN. AT LEAST TWO CLOSED STIRRUP TIES WILL BE PROVIDED AT ALL SPLICES.

LAP SPLICES SHALL BE MADE WITHIN THE CENTER HALF OF COLUMN HEIGHT AND THE SPLICE LENGTH SHALL NOT BE LESS THAN THE VALUES SHOWN IN TABLE 1/S-1.



DESIGNED BY :
ENGR. JEFFERSON KEVIN A. LERIO, M.ENG - CE,
F.PIGISS, A.SEAD, C.E., SETI, M.ASCE, M.ACI, M.PICE, RCE
MULTI-DISCIPLINARY ENGINEER
PRC REG NO: 0196341
DATE REG: 12/14/2019
TIN: 355-429-468
PTR NO: 3745790
PLACE OF ISSUE: TAGUM CITY
DATE OF ISSUE: 01/20/2025

VERIFIED BY :
END-USER

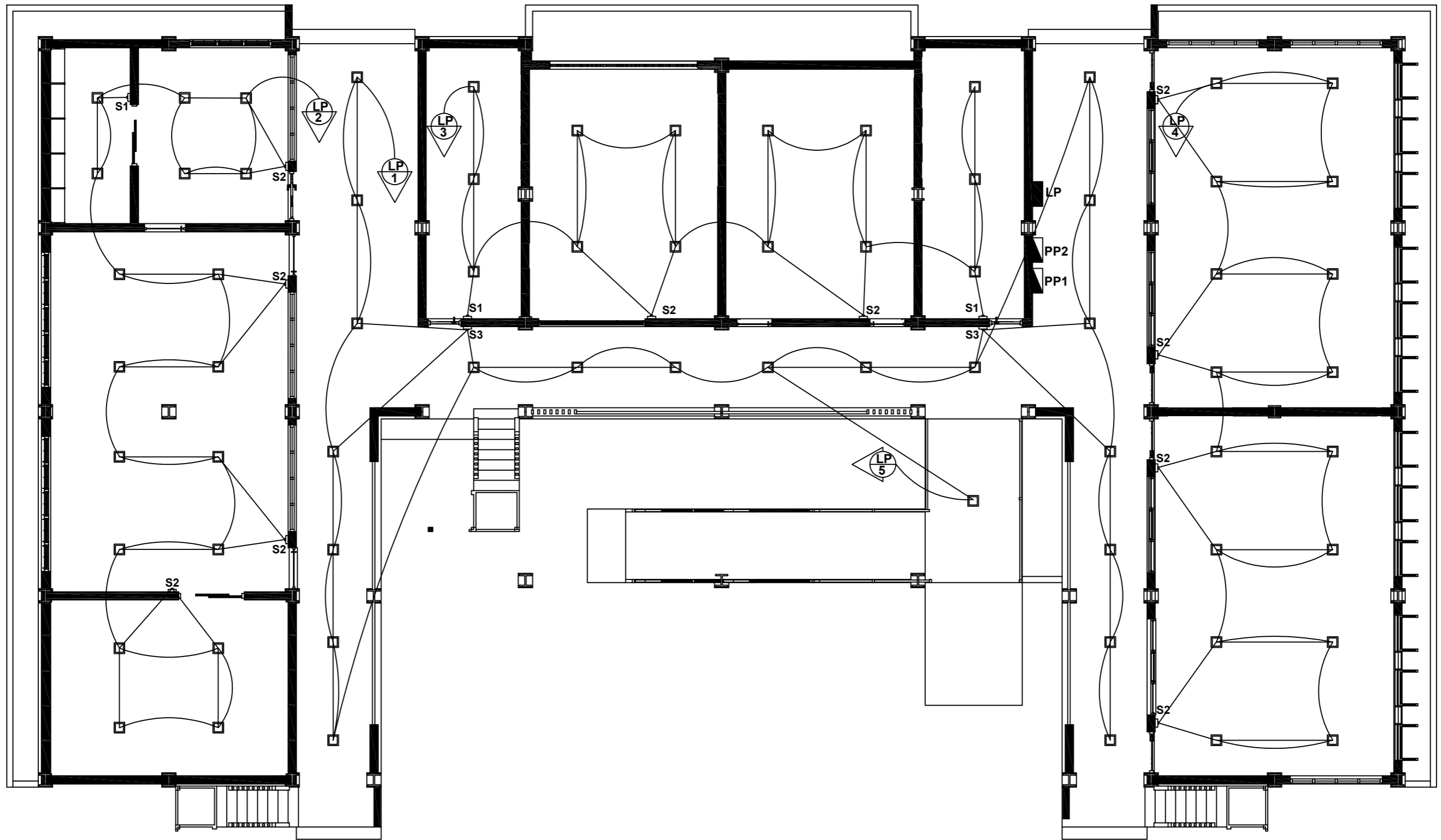
RECOMMENDING APPROVAL :
PROJECT DEVELOPMENT OFFICER III

APPROVED :
UNIVERSITY PRESIDENT

PROJECT TITLE :
IMPROVEMENT OF TOURISM MANAGEMENT BUILDING (FORMERLY LABORATORY HIGH SCHOOL)
LOCATION :
QSU - DIFFUN CAMPUS, DIFFUN, QUIRINO


SHEET CONTENT :
AS SHOWN

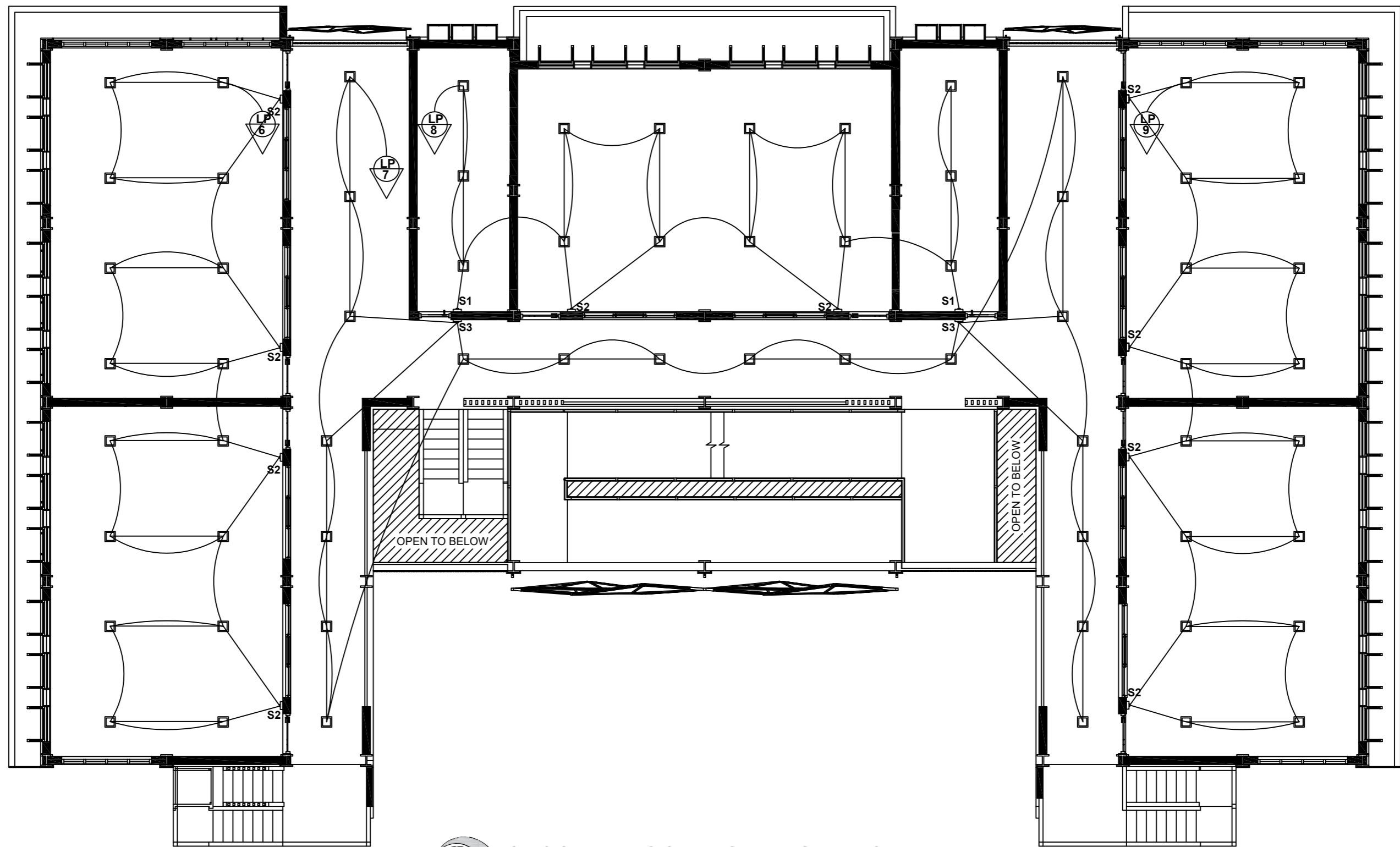
SHEET NO. :
13
STRUCTURAL
CONTROL NO.:




GROUND FLOOR LIGHTING LAYOUT PLAN
 SCALE 1:100 METERS




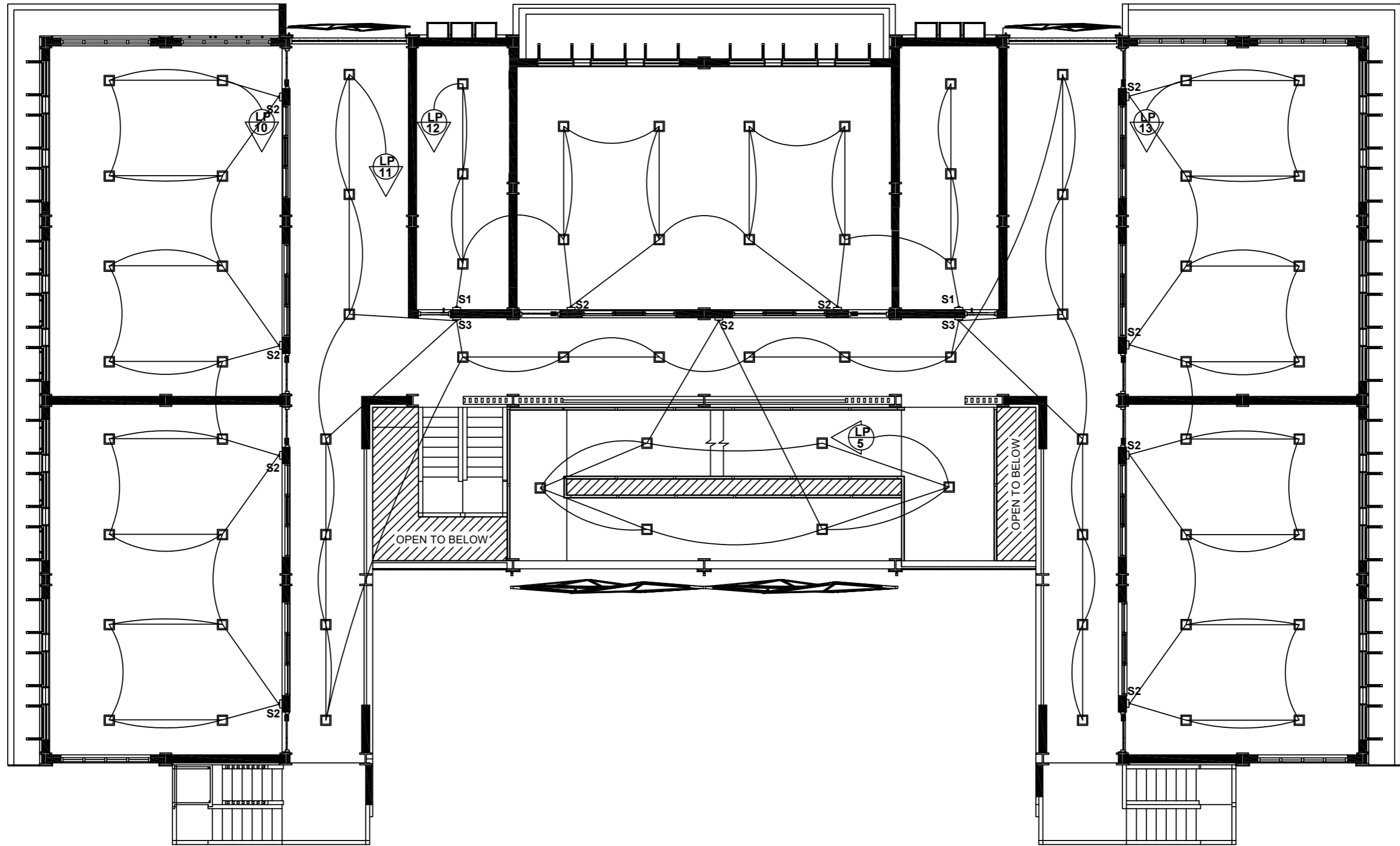
DESIGNED BY :  NELSON N. BALANGAN PROFESSIONAL ELECTRICAL ENGINEER	VERIFIED BY : END-USER	RECOMMENDING APPROVAL : PROJECT DEVELOPMENT OFFICER III	APPROVED : UNIVERSITY PRESIDENT	PROJECT TITLE : IMPROVEMENT OF TOURISM MANAGEMENT BUILDING (FORMERLY LABORATORY HIGH SCHOOL) LOCATION : QSU - DIFFUN CAMPUS, DIFFUN, QUIRINO	SHEET CONTENT : AS SHOWN	SHEET NO. : <div style="text-align: center; font-size: 2em; font-weight: bold;">1</div> ELECTRICAL CONTROL NO.:
PRC REG NO: 0003061 DATE REG: 11/11/1996 TIN:	PTR NO: 3378535 PLACE OF ISSUE: TAGUM CITY DATE OF ISSUE: 01/02/2025					




SECOND FLOOR LIGHTING LAYOUT PLAN
 SCALE 1:100 METERS




DESIGNED BY :	VERIFIED BY :	RECOMMENDING APPROVAL :	APPROVED :	PROJECT TITLE :	SHEET CONTENT :	SHEET NO. :
 NELSON N. BALANGAN PROFESSIONAL ELECTRICAL ENGINEER	END-USER	PROJECT DEVELOPMENT OFFICER III	UNIVERSITY PRESIDENT	IMPROVEMENT OF TOURISM MANAGEMENT BUILDING (FORMERLY LABORATORY HIGH SCHOOL)	AS SHOWN	2
				LOCATION :		
<small> PRC REG NO: 0003061 DATE REG: 11/11/1996 TIN: </small>	<small> PTR NO: 3378535 PLACE OF ISSUE: TAGUM CITY DATE OF ISSUE: 01/02/2025 </small>			QSU - DIFFUN CAMPUS, DIFFUN, QUIRINO		CONTROL NO.:

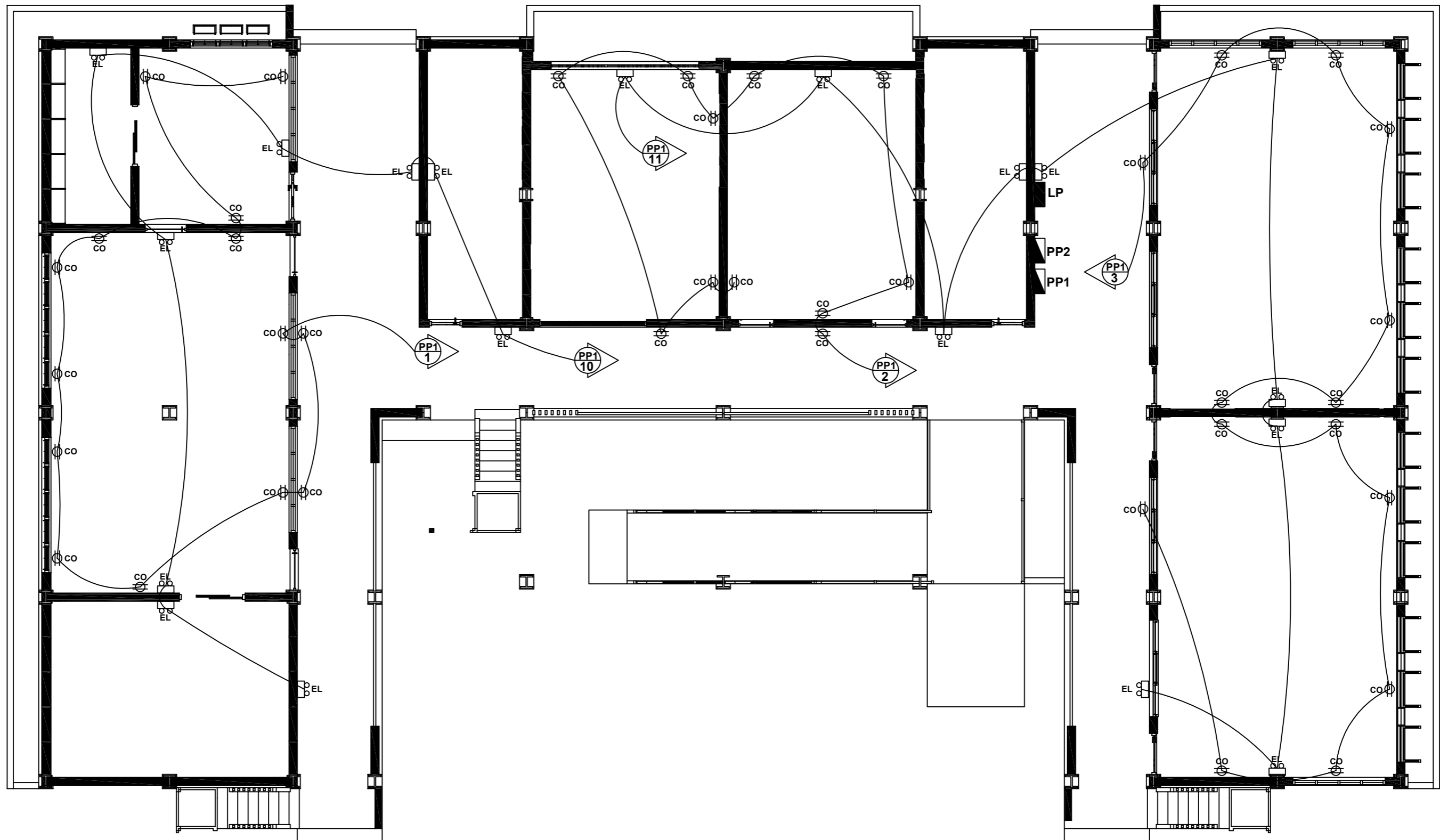


THIRD FLOOR LIGHTING LAYOUT PLAN

SCALE 1:100 METERS



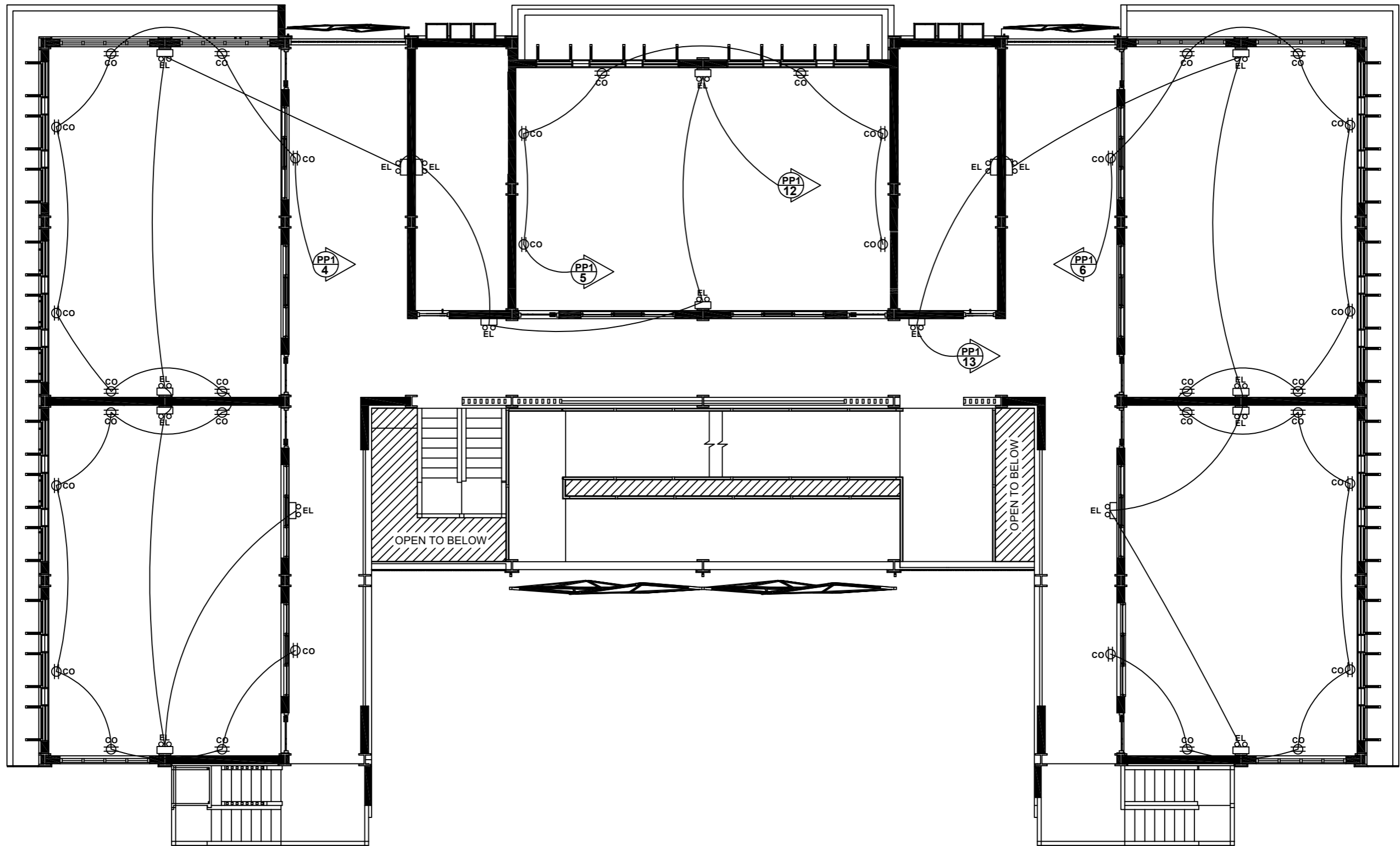
DESIGNED BY :	VERIFIED BY :	RECOMMENDING APPROVAL :	APPROVED :	PROJECT TITLE :	SHEET CONTENT :	SHEET NO. :
 NELSON N. BALANGAN PROFESSIONAL ELECTRICAL ENGINEER	END-USER	PROJECT DEVELOPMENT OFFICER III	UNIVERSITY PRESIDENT	IMPROVEMENT OF TOURISM MANAGEMENT BUILDING (FORMERLY LABORATORY HIGH SCHOOL)	AS SHOWN	3
				LOCATION :		
PRC REG NO: 0003061 DATE REG: 11/11/1996 TIN:	PTR NO: 3378535 PLACE OF ISSUE: TAGUM CITY DATE OF ISSUE: 01/02/2025			QSU - DIFFUN CAMPUS, DIFFUN, QUIRINO		CONTROL NO.:



GROUND FLOOR POWER LAYOUT PLAN
SCALE 1:100 METERS


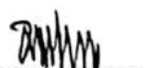


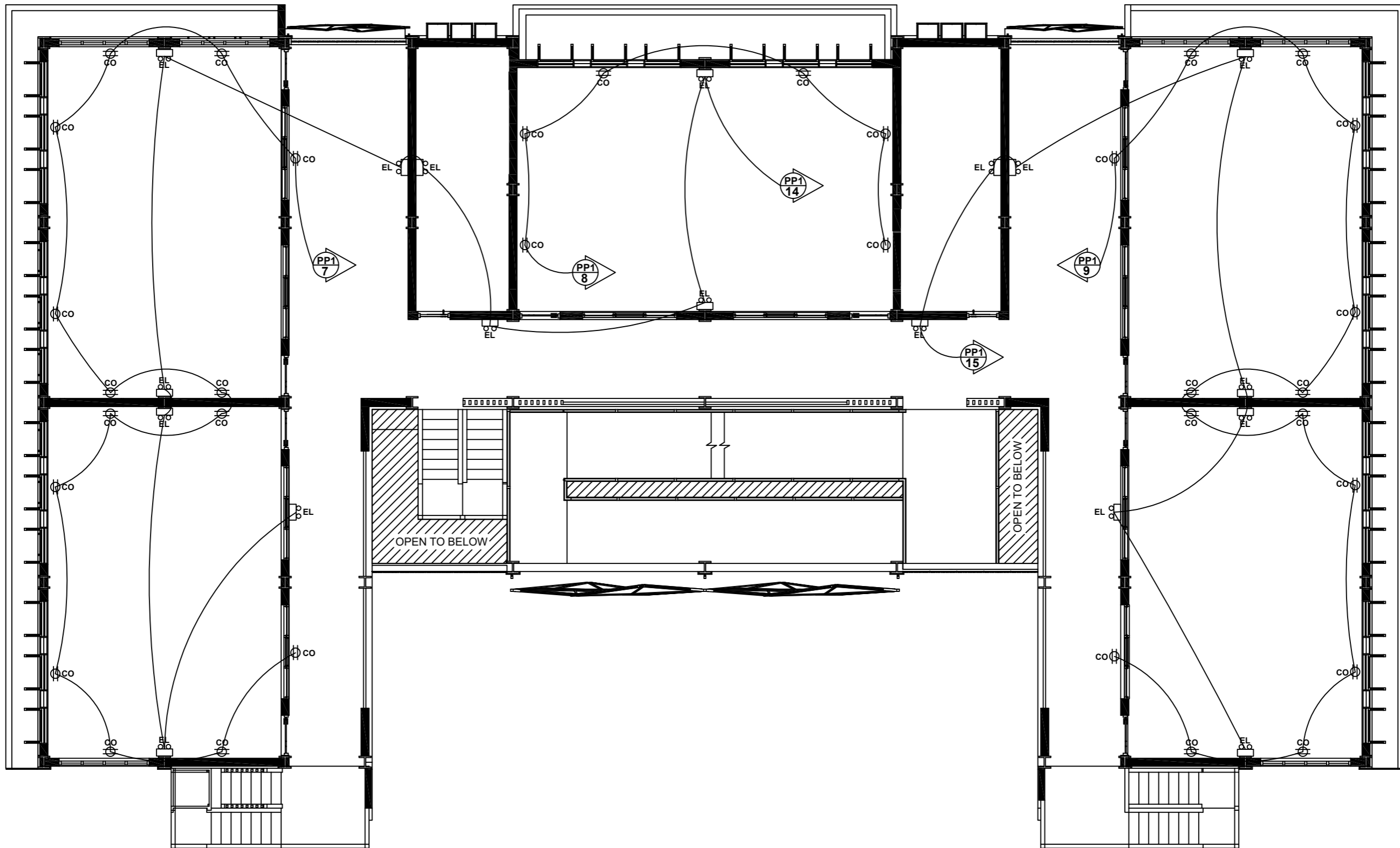
DESIGNED BY :	VERIFIED BY :	RECOMMENDING APPROVAL :	APPROVED :	PROJECT TITLE :	SHEET CONTENT :	SHEET NO. :
 NELSON N. BALANGAN PROFESSIONAL ELECTRICAL ENGINEER <small>PRC REG NO: 0003061 DATE REG: 11/11/1996 TIN:</small>	<small>PTR NO: 3378535 PLACE OF ISSUE: TAGUM CITY DATE OF ISSUE: 01/02/2025</small> END-USER	PROJECT DEVELOPMENT OFFICER III	UNIVERSITY PRESIDENT	IMPROVEMENT OF TOURISM MANAGEMENT BUILDING (FORMERLY LABORATORY HIGH SCHOOL)	AS SHOWN	4
				LOCATION :		
				QSU - DIFFUN CAMPUS, DIFFUN, QUIRINO		CONTROL NO.:



SECOND FLOOR POWER LAYOUT PLAN

SCALE 1:100 METERS

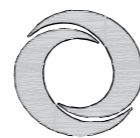
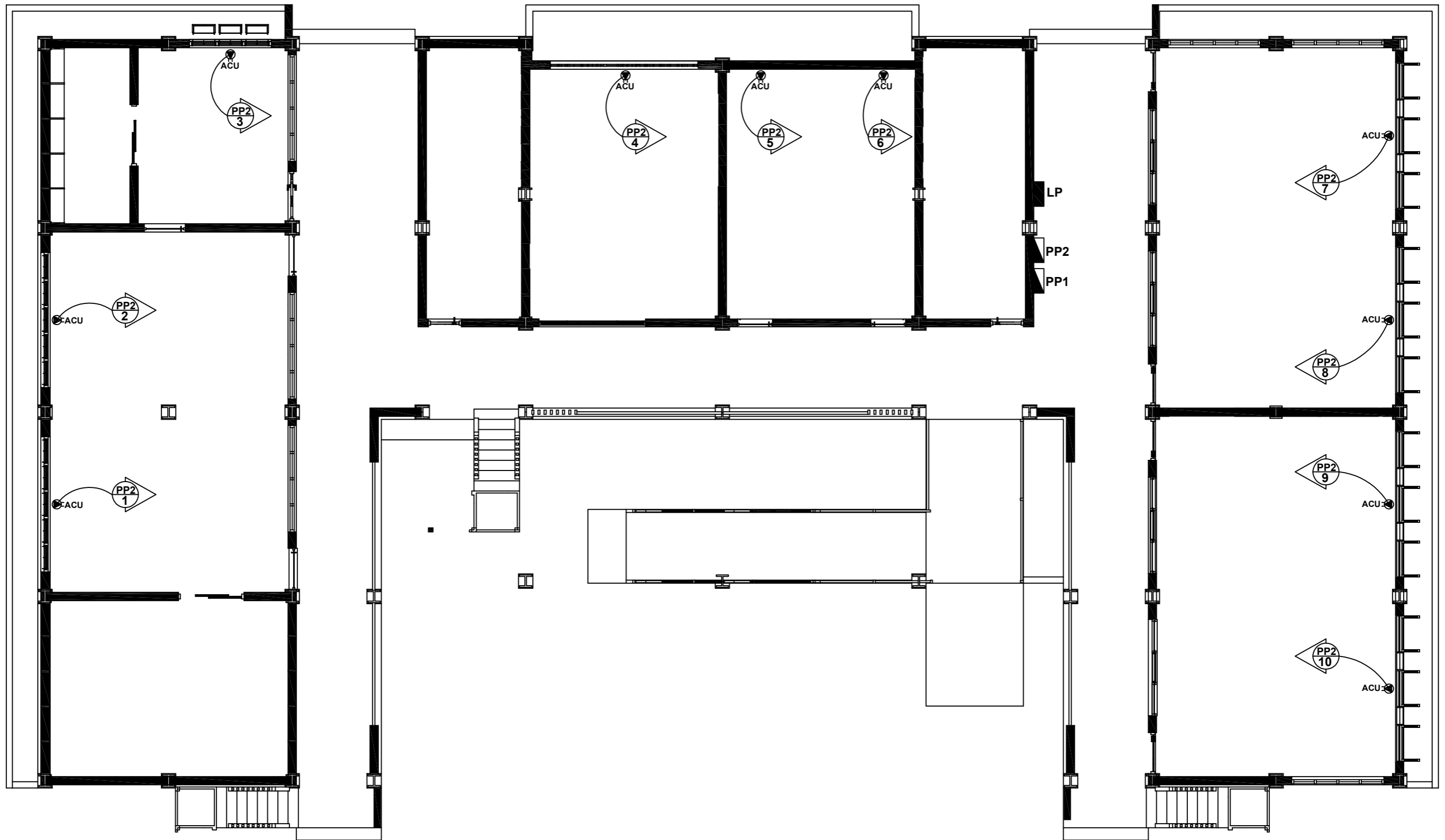
	DESIGNED BY :	VERIFIED BY :	RECOMMENDING APPROVAL :	APPROVED :	PROJECT TITLE :	SHEET CONTENT :	SHEET NO. :	
	 NELSON N. BALANGAN PROFESSIONAL ELECTRICAL ENGINEER					IMPROVEMENT OF TOURISM MANAGEMENT BUILDING (FORMERLY LABORATORY HIGH SCHOOL)	AS SHOWN	5
	<small>PRC REG NO: 0003061 DATE REG: 11/11/1996 TIN:</small>	<small>PTR NO: 3378535 PLACE OF ISSUE: TAGUM CITY DATE OF ISSUE: 01/02/2025</small>	END-USER	PROJECT DEVELOPMENT OFFICER III	UNIVERSITY PRESIDENT	LOCATION : QSU - DIFFUN CAMPUS, DIFFUN, QUIRINO		



THIRD FLOOR POWER LAYOUT PLAN
SCALE 1:100 METERS



DESIGNED BY :	VERIFIED BY :	RECOMMENDING APPROVAL :	APPROVED :	PROJECT TITLE :	SHEET CONTENT :	SHEET NO. :
 NELSON N. BALANGAN PROFESSIONAL ELECTRICAL ENGINEER <small>PRC REG NO: 0003061 DATE REG: 11/11/1996 TIN:</small>	END-USER	PROJECT DEVELOPMENT OFFICER III	UNIVERSITY PRESIDENT	IMPROVEMENT OF TOURISM MANAGEMENT BUILDING (FORMERLY LABORATORY HIGH SCHOOL)	AS SHOWN	6
				LOCATION : QSU - DIFFUN CAMPUS, DIFFUN, QUIRINO		

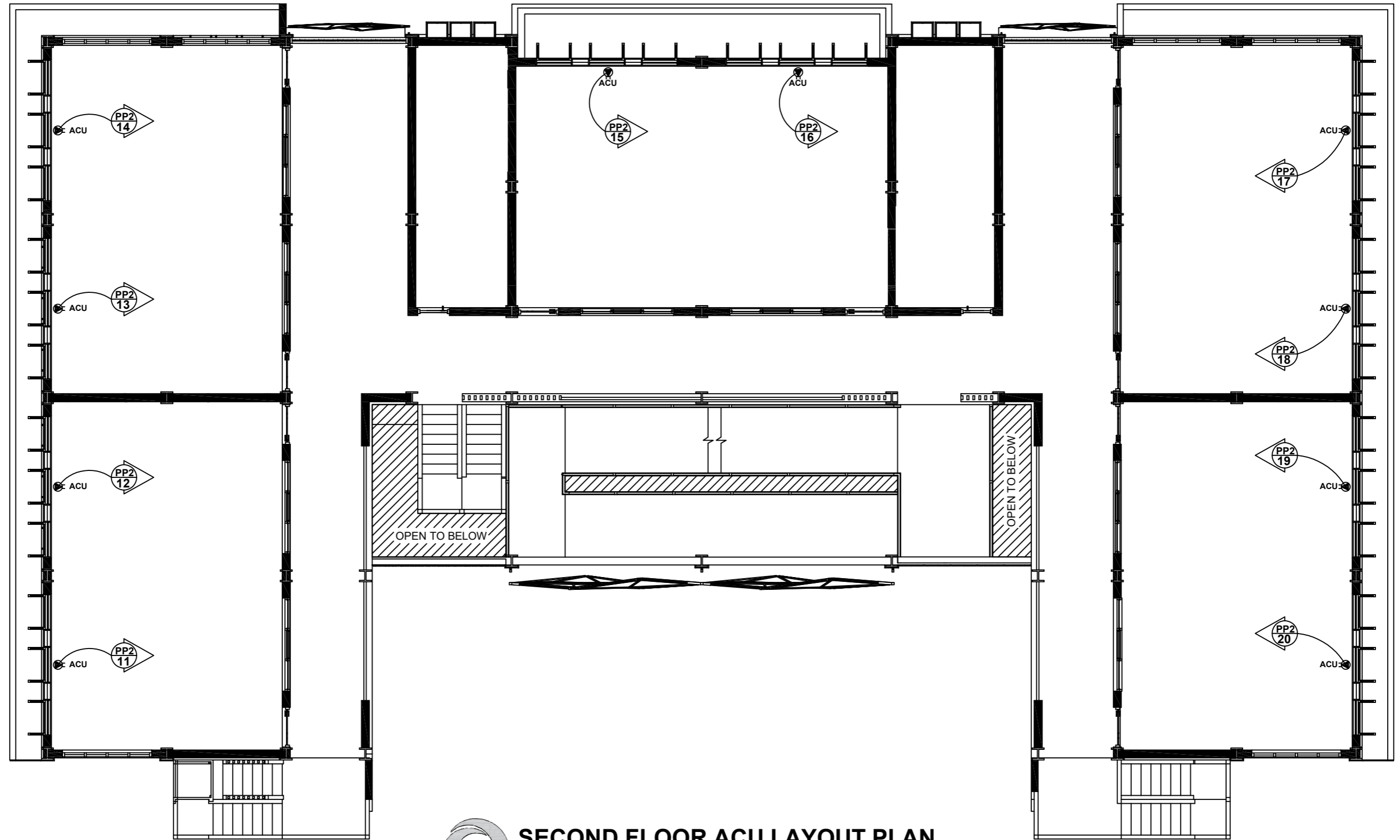


GROUND FLOOR ACU LAYOUT PLAN



SCALE 1:100 METERS

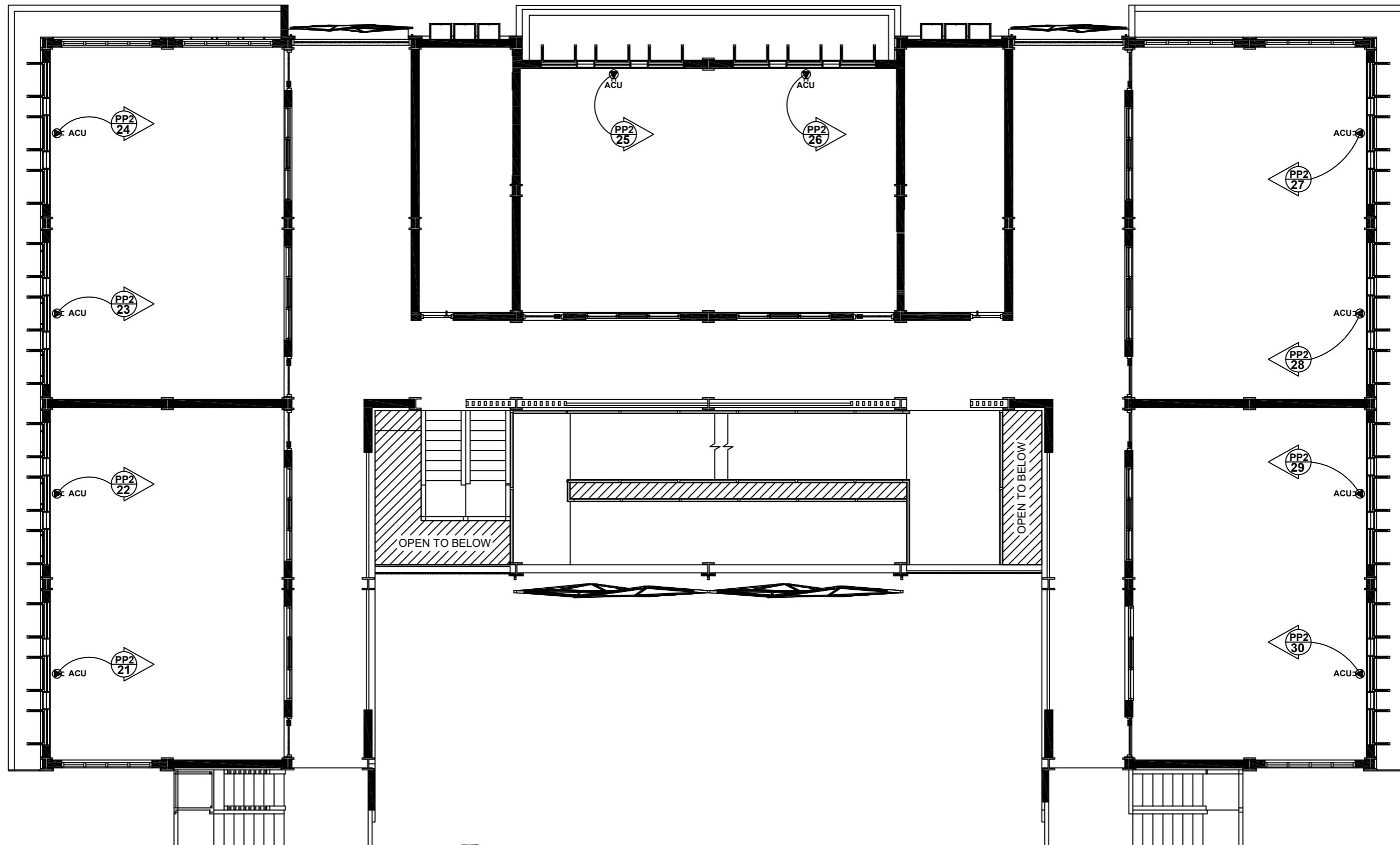


DESIGNED BY :	VERIFIED BY :	RECOMMENDING APPROVAL :	APPROVED :	PROJECT TITLE :	SHEET CONTENT :	SHEET NO. :
 NELSON N. BALANGAN PROFESSIONAL ELECTRICAL ENGINEER				IMPROVEMENT OF TOURISM MANAGEMENT BUILDING (FORMERLY LABORATORY HIGH SCHOOL)	AS SHOWN	7
<small>PRC REG NO: 0003061 DATE REG: 11/11/1996 TIN:</small>	END-USER	PROJECT DEVELOPMENT OFFICER III	UNIVERSITY PRESIDENT	LOCATION :		
<small>PTR NO: 3378535 PLACE OF ISSUE: TAGUM CITY DATE OF ISSUE: 01/02/2025</small>				QSU - DIFFUN CAMPUS, DIFFUN, QUIRINO		ELECTRICAL
						CONTROL NO.:




SECOND FLOOR ACU LAYOUT PLAN
 SCALE 1:100 METERS

	DESIGNED BY :	VERIFIED BY :	RECOMMENDING APPROVAL :	APPROVED :	PROJECT TITLE :	SHEET CONTENT :	SHEET NO. :	
	 NELSON N. BALANGAN PROFESSIONAL ELECTRICAL ENGINEER					IMPROVEMENT OF TOURISM MANAGEMENT BUILDING (FORMERLY LABORATORY HIGH SCHOOL)	AS SHOWN	8
	<small> PRC REG NO: 0003061 DATE REG: 11/11/1996 TIN: </small>	<small> PTR NO: 3378535 PLACE OF ISSUE: TAGUM CITY DATE OF ISSUE: 01/02/2025 </small>	<small>END-USER</small>	<small>PROJECT DEVELOPMENT OFFICER III</small>	<small>UNIVERSITY PRESIDENT</small>	<small>LOCATION :</small> <small>QSU - DIFFUN CAMPUS, DIFFUN, QUIRINO</small>		



THIRD FLOOR ACU LAYOUT PLAN
 SCALE 1:100 METERS

	DESIGNED BY :	VERIFIED BY :	RECOMMENDING APPROVAL :	APPROVED :	PROJECT TITLE :	SHEET CONTENT :	SHEET NO. :	
	 NELSON N. BALANGAN PROFESSIONAL ELECTRICAL ENGINEER					IMPROVEMENT OF TOURISM MANAGEMENT BUILDING (FORMERLY LABORATORY HIGH SCHOOL)	AS SHOWN	9
	<small> PRC REG NO: 0003061 DATE REG: 11/11/1996 TIN: </small>	<small> END-USER </small>	<small> PROJECT DEVELOPMENT OFFICER III </small>	<small> UNIVERSITY PRESIDENT </small>	<small> LOCATION : QSU - DIFFUN CAMPUS, DIFFUN, QUIRINO </small>	<small> ELECTRICAL CONTROL NO.: </small>		

LIGHTING PANELBOARD 1/LP1

CKT	DESCRIPTION	QTY	VOLT-AMPERE PER LOAD (VA)	TOTAL VOLT-AMPERE (VA)	NOMINAL VOLTAGE	PHASE CURRENT			WIRE SIZE	CIRCUIT BREAKER
						AB	BC	CA		
1	LIGHTING LOADS 1	20	100	2000	230	8.70			2-3.5mm ² THW Wire	20 AT, 20 AF, 10 KAIC
2	LIGHTING LOADS 2	18	100	1800	230		7.83		2-3.5mm ² THW Wire	20 AT, 20 AF, 10 KAIC
3	LIGHTING LOADS 3	14	100	1400	230			6.09	2-3.5mm ² THW Wire	20 AT, 20 AF, 10 KAIC
4	LIGHTING LOADS 4	16	100	1600	230		6.96		2-3.5mm ² THW Wire	20 AT, 20 AF, 10 KAIC
5	LIGHTING LOADS 5	7	100	700	230	3.04			2-3.5mm ² THW Wire	20 AT, 20 AF, 10 KAIC
6	LIGHTING LOADS 6	16	100	1600	230		6.96		2-3.5mm ² THW Wire	20 AT, 20 AF, 10 KAIC
7	LIGHTING LOADS 7	20	100	2000	230			8.70	2-3.5mm ² THW Wire	20 AT, 20 AF, 10 KAIC
8	LIGHTING LOADS 8	14	100	1400	230		6.09		2-3.5mm ² THW Wire	20 AT, 20 AF, 10 KAIC
9	LIGHTING LOADS 9	16	100	1600	230	6.96			2-3.5mm ² THW Wire	20 AT, 20 AF, 10 KAIC
10	LIGHTING LOADS 10	16	100	1600	230	6.96			2-3.5mm ² THW Wire	20 AT, 20 AF, 10 KAIC
11	LIGHTING LOADS 11	20	100	2000	230			8.70	2-3.5mm ² THW Wire	20 AT, 20 AF, 10 KAIC
12	LIGHTING LOADS 12	14	100	1400	230		6.09		2-3.5mm ² THW Wire	20 AT, 20 AF, 10 KAIC
13	LIGHTING LOADS 13	16	100	1600	230	6.96			2-3.5mm ² THW Wire	20 AT, 20 AF, 10 KAIC
14	SPARE	20	100	2000	230			8.70	2-3.5mm ² THW Wire	20 AT, 20 AF, 10 KAIC
		227	1400	22700	230	32.61	33.91	32.17		

FEEDER CONDUCTOR (IF VA)

$$I = 22700/(\sqrt{3})(230) = 56.982$$

$$I_{cond} = 1.25 \times 56.982$$

$$I_{cond} = 71.23 \text{ A}$$

Use: 3-25 mm² THW + 1-25 mm² THW

FEEDER CONDUCTOR (IF SINGLE PHASE HIGHEST CURRENT)

$$I_{cond} = (1.25(33.91))/(\sqrt{3})$$

$$I_{cond} = 73.48 \text{ A}$$



Use: 3-25 mm² THW + 1-25 mm² THW

FEEDER PROTECTION

$$I_{cond} = (1.25(33.91))/(\sqrt{3})$$

$$I_{cond} = 73.48 \text{ A}$$

Use: 100 AT, 100 AF, 10 KAIC

	DESIGNED BY :	VERIFIED BY :	RECOMMENDING APPROVAL :	APPROVED :	PROJECT TITLE :	SHEET CONTENT :	SHEET NO. :	
	 NELSON N. BALANGAN PROFESSIONAL ELECTRICAL ENGINEER					IMPROVEMENT OF TOURISM MANAGEMENT BUILDING (FORMERLY LABORATORY HIGH SCHOOL)	AS SHOWN	10
	PRC REG NO: 0003061 DATE REG: 11/11/1996 TIN:	PTR NO: 3378535 PLACE OF ISSUE: TAGUM CITY DATE OF ISSUE: 01/02/2025	END-USER	PROJECT DEVELOPMENT OFFICER III	UNIVERSITY PRESIDENT	LOCATION :		
					QSU - DIFFUN CAMPUS, DIFFUN, QUIRINO		CONTROL NO.:	

POWER PANELBOARD 1/PP1

CKT	DESCRIPTION	QTY	VOLT-AMPERE PER LOAD (VA)	TOTAL VOLT-AMPERE (VA)	NOMINAL VOLTAGE	PHASE CURRENT			WIRE SIZE	CIRCUIT BREAKER
						AB	BC	CA		
1	CONVENIENCE OUTLET 1	14	180	2520	230	10.96			2-5.5mm ² THW Wire	30 AT, 50 AF, 10 KAIC
2	CONVENIENCE OUTLET 2	11	180	1980	230		8.61		2-5.5mm ² THW Wire	30 AT, 50 AF, 10 KAIC
3	CONVENIENCE OUTLET 3	14	180	2520	230			10.96	2-5.5mm ² THW Wire	30 AT, 50 AF, 10 KAIC
4	CONVENIENCE OUTLET 4	14	180	2520	230		10.96		2-5.5mm ² THW Wire	30 AT, 50 AF, 10 KAIC
5	CONVENIENCE OUTLET 5	6	180	1080	230	4.70			2-2.0mm ² THW Wire	15 AT, 50 AF, 10 KAIC
6	CONVENIENCE OUTLET 6	14	180	2520	230	10.96			2-5.5mm ² THW Wire	30 AT, 50 AF, 10 KAIC
7	CONVENIENCE OUTLET 7	14	180	2520	230		10.96		2-5.5mm ² THW Wire	30 AT, 50 AF, 10 KAIC
8	CONVENIENCE OUTLET 8	6	180	1080	230	4.70			2-2.0mm ² THW Wire	15 AT, 50 AF, 10 KAIC
9	CONVENIENCE OUTLET 9	14	180	2520	230			10.96	2-5.5mm ² THW Wire	30 AT, 50 AF, 10 KAIC
10	EMERGENCY LIGHT 1	9	10	90	230	0.39			2-2.0mm ² THW Wire	15 AT, 50 AF, 10 KAIC
11	EMERGENCY LIGHT 2	10	10	100	230	0.43			2-2.0mm ² THW Wire	15 AT, 50 AF, 10 KAIC
12	EMERGENCY LIGHT 3	10	10	100	230		0.43		2-2.0mm ² THW Wire	15 AT, 50 AF, 10 KAIC
13	EMERGENCY LIGHT 4	8	10	80	230		0.35		2-2.0mm ² THW Wire	15 AT, 50 AF, 10 KAIC
14	EMERGENCY LIGHT 5	10	10	100	230			0.43	2-2.0mm ² THW Wire	15 AT, 50 AF, 10 KAIC
15	EMERGENCY LIGHT 6	8	10	80	230	0.35			2-2.0mm ² THW Wire	15 AT, 50 AF, 10 KAIC
16	SPARE	2	750	1500	230			6.52	2-3.5mm ² THW Wire	20 AT, 50 AF, 10 KAIC
		164	2430	21310	230	32.48	31.30	28.87		

FEEDER CONDUCTOR (IF VA)

$$I = 21310/(\sqrt{3})(230) = 53.4928$$

$$I_{cond} = 1.25 \times 53.4928$$

$$I_{cond} = 66.866 \text{ A}$$

Use: 3-25 mm² THW + 1-25 mm² THW

FEEDER CONDUCTOR (IF SINGLE PHASE HIGHEST CURRENT)

$$I_{cond} = (1.25(33.91))/(\sqrt{3})$$

$$I_{cond} = 70.321 \text{ A}$$



Use: 3-25 mm² THW + 1-25 mm² THW

FEEDER PROTECTION

$$I_{cond} = (1.25(33.91))/(\sqrt{3})$$

$$I_{cond} = 70.321 \text{ A}$$

Use: 100 AT, 100 AF, 10 KAIC

	DESIGNED BY :	VERIFIED BY :	RECOMMENDING APPROVAL :	APPROVED :	PROJECT TITLE :	SHEET CONTENT :	SHEET NO. :	
	 NELSON N. BALANGAN PROFESSIONAL ELECTRICAL ENGINEER					IMPROVEMENT OF TOURISM MANAGEMENT BUILDING (FORMERLY LABORATORY HIGH SCHOOL)	AS SHOWN	11
	<small>PRC REG NO: 0003061 DATE REG: 11/11/1996 TIN:</small>	<small>PTR NO: 3378535 PLACE OF ISSUE: TAGUM CITY DATE OF ISSUE: 01/02/2025</small>	END-USER	PROJECT DEVELOPMENT OFFICER III	UNIVERSITY PRESIDENT	LOCATION : QSU - DIFFUN CAMPUS, DIFFUN, QUIRINO		

POWER PANELBOARD 1/PP1

CKT	DESCRIPTION	QTY	VOLT-AMPERE PER LOAD (VA)	TOTAL VOLT-AMPERE (VA)	NOMINAL VOLTAGE	PHASE CURRENT			WIRE SIZE	CIRCUIT BREAKER
						AB	BC	CA		
1	CONVENIENCE OUTLET 1	14	180	2520	230	10.96			2-5.5mm ² THW Wire	30 AT, 50 AF, 10 KAIC
2	CONVENIENCE OUTLET 2	11	180	1980	230		8.61		2-5.5mm ² THW Wire	30 AT, 50 AF, 10 KAIC
3	CONVENIENCE OUTLET 3	14	180	2520	230			10.96	2-5.5mm ² THW Wire	30 AT, 50 AF, 10 KAIC
4	CONVENIENCE OUTLET 4	14	180	2520	230		10.96		2-5.5mm ² THW Wire	30 AT, 50 AF, 10 KAIC
5	CONVENIENCE OUTLET 5	6	180	1080	230	4.70			2-2.0mm ² THW Wire	15 AT, 50 AF, 10 KAIC
6	CONVENIENCE OUTLET 6	14	180	2520	230	10.96			2-5.5mm ² THW Wire	30 AT, 50 AF, 10 KAIC
7	CONVENIENCE OUTLET 7	14	180	2520	230		10.96		2-5.5mm ² THW Wire	30 AT, 50 AF, 10 KAIC
8	CONVENIENCE OUTLET 8	6	180	1080	230	4.70			2-2.0mm ² THW Wire	15 AT, 50 AF, 10 KAIC
9	CONVENIENCE OUTLET 9	14	180	2520	230			10.96	2-5.5mm ² THW Wire	30 AT, 50 AF, 10 KAIC
10	EMERGENCY LIGHT 1	9	10	90	230	0.39			2-2.0mm ² THW Wire	15 AT, 50 AF, 10 KAIC
11	EMERGENCY LIGHT 2	10	10	100	230	0.43			2-2.0mm ² THW Wire	15 AT, 50 AF, 10 KAIC
12	EMERGENCY LIGHT 3	10	10	100	230		0.43		2-2.0mm ² THW Wire	15 AT, 50 AF, 10 KAIC
13	EMERGENCY LIGHT 4	8	10	80	230		0.35		2-2.0mm ² THW Wire	15 AT, 50 AF, 10 KAIC
14	EMERGENCY LIGHT 5	10	10	100	230			0.43	2-2.0mm ² THW Wire	15 AT, 50 AF, 10 KAIC
15	EMERGENCY LIGHT 6	8	10	80	230	0.35			2-2.0mm ² THW Wire	15 AT, 50 AF, 10 KAIC
16	SPARE	2	750	1500	230			6.52	2-3.5mm ² THW Wire	20 AT, 50 AF, 10 KAIC
		164	2430	21310	230	32.48	31.30	28.87		

FEEDER CONDUCTOR (IF VA)

$$I = 21310 / (\sqrt{3})(230) = 53.4928$$

$$I_{cond} = 1.25 \times 53.4928$$

$$I_{cond} = 66.866 \text{ A}$$

Use: 3-25 mm² THW + 1-25 mm² THW

FEEDER CONDUCTOR (IF SINGLE PHASE HIGHEST CURRENT)

$$I_{cond} = (1.25(33.91))(\sqrt{3})$$

$$I_{cond} = 70.321 \text{ A}$$



Use: 3-25 mm² THW + 1-25 mm² THW

FEEDER PROTECTION

$$I_{cond} = (1.25(33.91))(\sqrt{3})$$

$$I_{cond} = 70.321 \text{ A}$$

Use: 100 AT, 100 AF, 10 KAIC

	DESIGNED BY :	VERIFIED BY :	RECOMMENDING APPROVAL :	APPROVED :	PROJECT TITLE :	SHEET CONTENT :	SHEET NO. :	
	 NELSON N. BALANGAN PROFESSIONAL ELECTRICAL ENGINEER					IMPROVEMENT OF TOURISM MANAGEMENT BUILDING (FORMERLY LABORATORY HIGH SCHOOL)	AS SHOWN	12
	<small>PRC REG NO: 0003061 DATE REG: 11/11/1996 TIN:</small>	<small>PTR NO: 3378535 PLACE OF ISSUE: TAGUM CITY DATE OF ISSUE: 01/02/2025</small>	END-USER	PROJECT DEVELOPMENT OFFICER III	UNIVERSITY PRESIDENT	LOCATION : QSU - DIFFUN CAMPUS, DIFFUN, QUIRINO		

OVERALL SCHEDULE OF LOADS								
PANEL NO.	DESCRIPTION	TOTAL VOLT-AMPERE	NOMINAL VOLTAGE	PHASE CURRENT			WIRE SIZE	FEEDER PROTECTION
				AB	BC	CA		
1	LIGHTING PANELBOARD 1	22700	230	32.61	33.91	32.17	3-25 mm ² THW + 1-25 mm ² THW	100 AT, 100 AF, 10 KAIC
5	POWER PANELBOARD 1	21310	230	32.48	31.30	28.87	3-25 mm ² THW + 1-25 mm ² THW	100 AT, 100 AF, 10 KAIC
6	POWER PANELBOARD 2	45000	230	65.22	65.22	65.22	3-50 mm ² THW + 1-14 mm ² THW	150 AT, 250 AF, 25 KAIC
		89010	230	130.30	130.44	126.26		

MAIN FEEDER CONDUCTOR

$I = 89010 / (\sqrt{3})(230) = 223.43 \text{ A}$

$I_{cond} = 1.25 \times 223.4346$

$I_{cond} = 279.32 \text{ A}$

Use: 3-120 mm² THW + 1-50 mm² THW

MAXIMUM LOAD DEMAND

FOR NON-MOTOR LOADS

$NML = 0.42(22.7+21.31)$

NML = 18.48 Kva

FOR MOTOR LOADS

ML = 45kVA

$MLD = 18.48 + 45$

MLD = 63.48 kVA

FUTURE LOAD DEMAND

$FLD = 63.48(1.2)$

FLD = 76.176 kVA

TRANSFORMER SIZE

$SoT = 76.176(1.2)$

$SoT = 91.41 \text{ kVA}$

$SoT \approx 100 \text{ kVA}$

$SoT/Phase = 100/3$

$SoT/Phase = 33.33 \text{ kVA}$

Use: 3-34 kVA Φ XT

FUSE

PRIMARY

$I_{fuse} = (63.48 / ((\sqrt{3})(13.2)))(3)$

$I_{fuse} = 8.33 \text{ A}$

Use: 10 A Fuse Link

SECONDARY

$I_{cb} = (63.48 / ((\sqrt{3})(230)))(1.25)$

$I_{cb} = 199.19 \text{ A}$

Use: 400 AF, 250 AT, 25 KAIC

FEEDER CONDUCTOR

PRIMARY

$I_{cond} = (1.25(2.5)+45+1.25(18.48)) / ((\sqrt{3})(13.2))$

$I_{cond} = 3.12 \text{ A}$



Use: 3-3.5 mm² THW

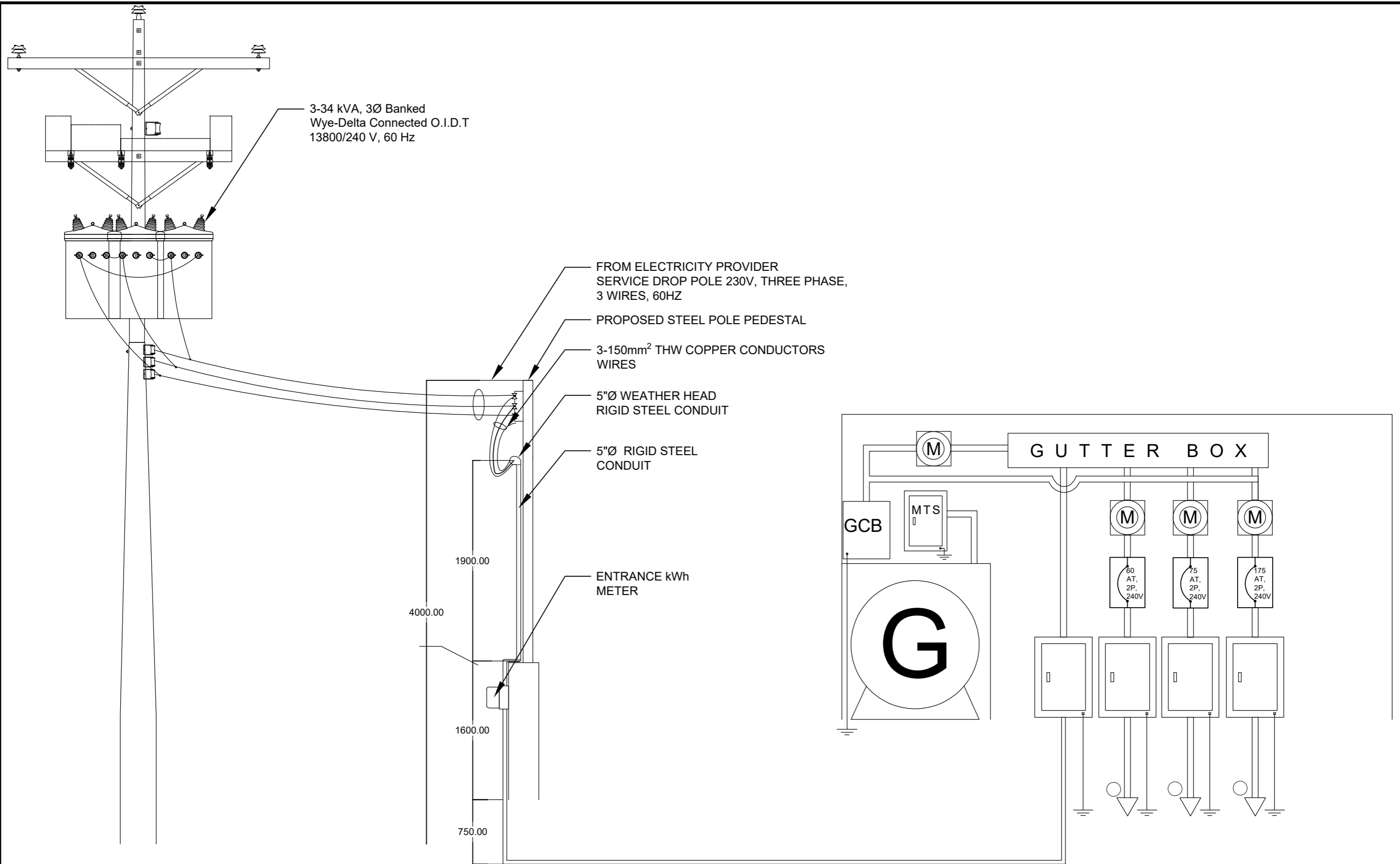
SECONDARY



$I_{cond} = (1.25(2.5)+45+1.25(18.48)) / ((\sqrt{3})(0.23))$

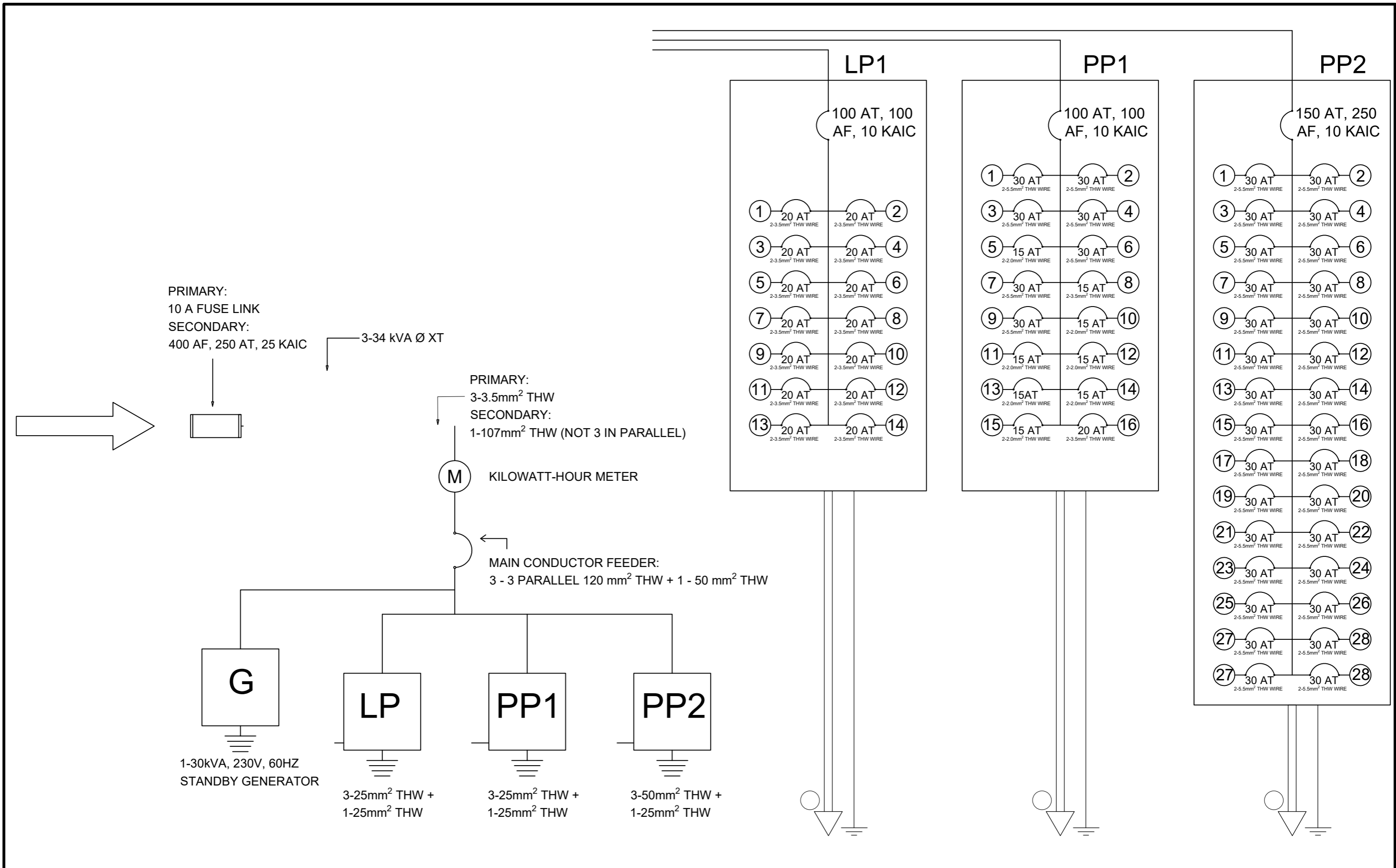
$I_{cond} = 178.79 \text{ A}$



Use: 1-107 mm² THW (not 3 in parallel)

	DESIGNED BY :	VERIFIED BY :	RECOMMENDING APPROVAL :	APPROVED :	PROJECT TITLE :	SHEET CONTENT :	SHEET NO. :	
	 NELSON N. BALANGAN PROFESSIONAL ELECTRICAL ENGINEER					IMPROVEMENT OF TOURISM MANAGEMENT BUILDING (FORMERLY LABORATORY HIGH SCHOOL)	AS SHOWN	13
	<small>PRC REG NO: 0003061 DATE REG: 11/11/1996 TIN:</small>	<small>PTR NO: 3378535 PLACE OF ISSUE: TAGUM CITY DATE OF ISSUE: 01/02/2025</small>	END-USER	PROJECT DEVELOPMENT OFFICER III	UNIVERSITY PRESIDENT	LOCATION : QSU - DIFFUN CAMPUS, DIFFUN, QUIRINO		

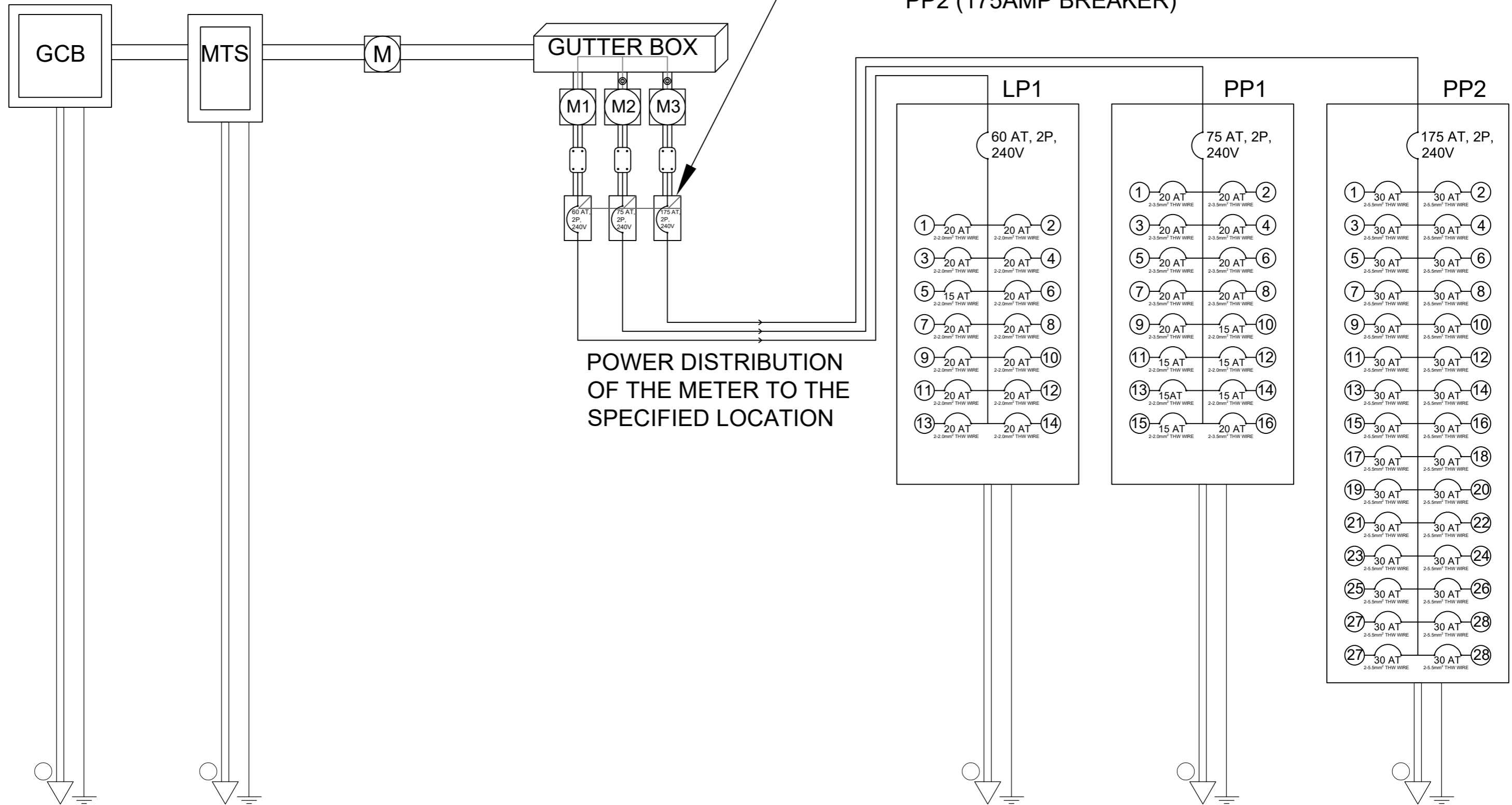


	DESIGNED BY :	VERIFIED BY :	RECOMMENDING APPROVAL :	APPROVED :	PROJECT TITLE :	SHEET CONTENT :	SHEET NO. :	
	 NELSON N. BALANGAN PROFESSIONAL ELECTRICAL ENGINEER					IMPROVEMENT OF TOURISM MANAGEMENT BUILDING (FORMERLY LABORATORY HIGH SCHOOL)	AS SHOWN	14
	PRC REG NO: 0003061 DATE REG: 11/11/1996 TIN:	PTR NO: 3378535 PLACE OF ISSUE: TAGUM CITY DATE OF ISSUE: 01/02/2025	END-USER	PROJECT DEVELOPMENT OFFICER III	UNIVERSITY PRESIDENT	LOCATION : QSU - DIFFUN CAMPUS, DIFFUN, QUIRINO		

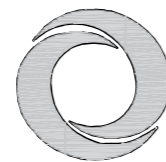
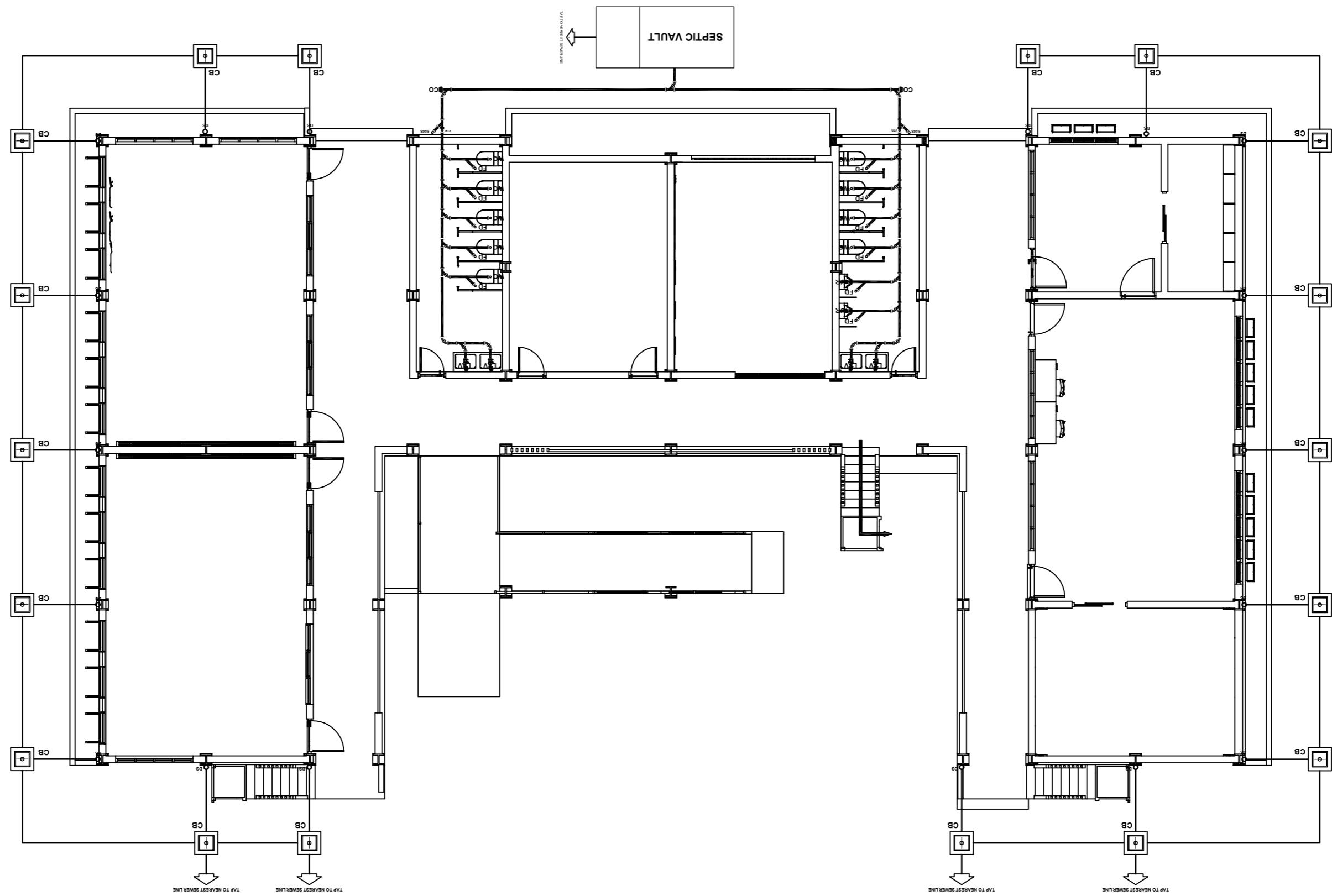


	DESIGNED BY :	VERIFIED BY :	RECOMMENDING APPROVAL :	APPROVED :	PROJECT TITLE :	SHEET CONTENT :	SHEET NO. :	
	 NELSON N. BALANGAN PROFESSIONAL ELECTRICAL ENGINEER					IMPROVEMENT OF TOURISM MANAGEMENT BUILDING (FORMERLY LABORATORY HIGH SCHOOL)	AS SHOWN	15
	PRC REG NO: 0003061 DATE REG: 11/11/1996 TIN:	PTR NO: 3378535 PLACE OF ISSUE: TAGUM CITY DATE OF ISSUE: 01/02/2025	END-USER	PROJECT DEVELOPMENT OFFICER III	UNIVERSITY PRESIDENT	LOCATION : QSU - DIFFUN CAMPUS, DIFFUN, QUIRINO		

NOTE:
 LP1 (60AMP BREAKER)
 PP1 (75AMP BREAKER)
 PP2 (175AMP BREAKER)



DESIGNED BY : NELSON N. BALANGAN PROFESSIONAL ELECTRICAL ENGINEER	VERIFIED BY : END-USER	RECOMMENDING APPROVAL : PROJECT DEVELOPMENT OFFICER III	APPROVED : UNIVERSITY PRESIDENT	PROJECT TITLE : IMPROVEMENT OF TOURISM MANAGEMENT BUILDING (FORMERLY LABORATORY HIGH SCHOOL)	SHEET CONTENT : AS SHOWN	SHEET NO. : <h1>16</h1>	
				LOCATION : QSU - DIFFUN CAMPUS, DIFFUN, QUIRINO			ELECTRICAL
				CONTROL NO.:			



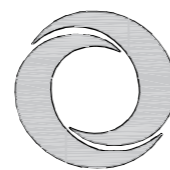
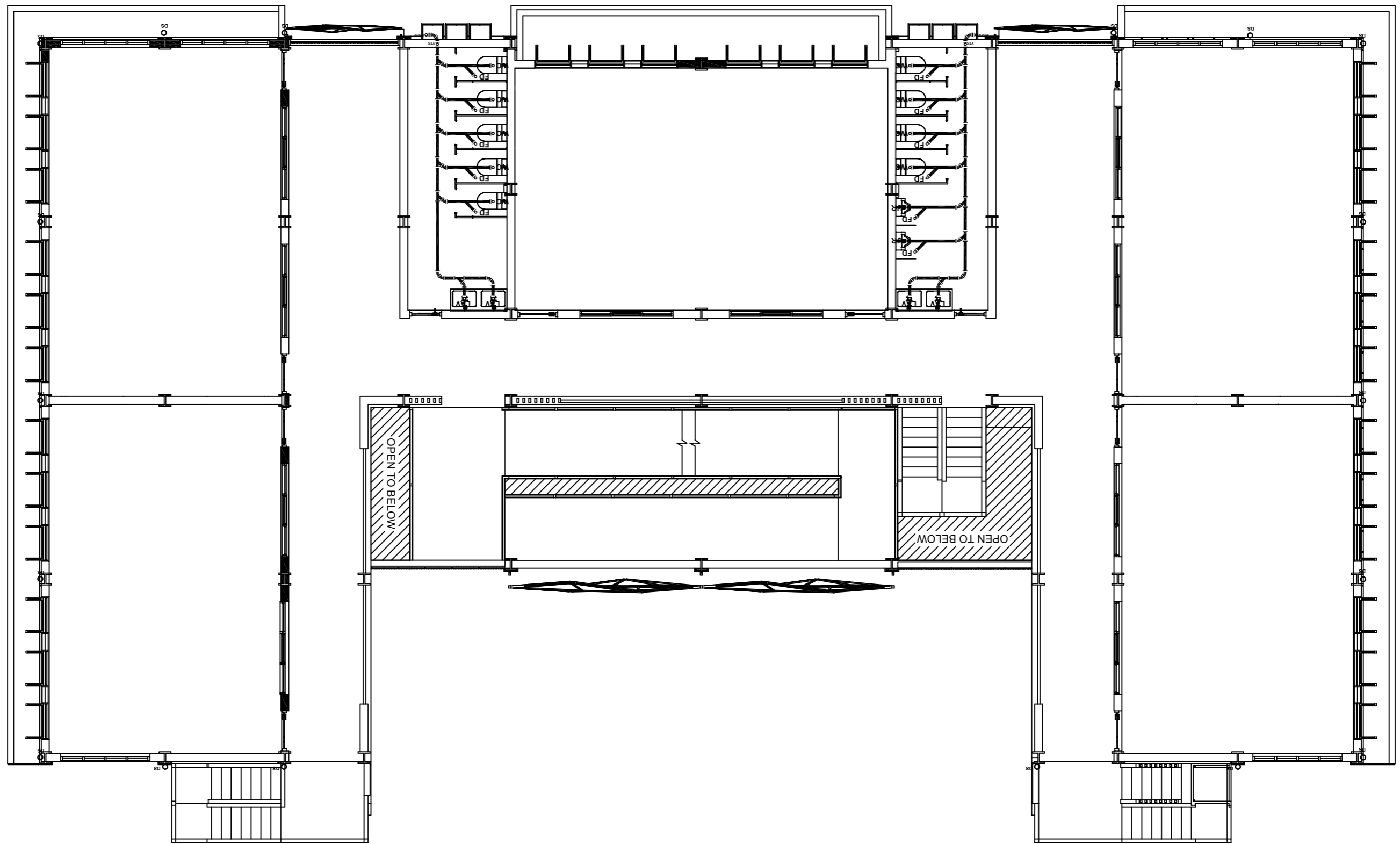
GROUND FLOOR SANITARY LAYOUT PLAN

SCALE

1:100 METERS



DESIGNED BY : WILFREDO B. CIRUNAY REGISTERED MASTER PLUMBER <small>PRC REG NO: 0003418 DATE REG: 08/12/2015 PTR NO: 7878700 PLACE OF ISSUE: DAVAO CITY DATE OF ISSUE: 01/16/2025</small>	VERIFIED BY : END-USER	RECOMMENDING APPROVAL : PROJECT DEVELOPMENT OFFICER III	APPROVED : UNIVERSITY PRESIDENT	PROJECT TITLE : IMPROVEMENT OF TOURISM MANAGEMENT BUILDING (FORMERLY LABORATORY HIGH SCHOOL)	SHEET CONTENT : AS SHOWN	SHEET NO. : 1
				LOCATION : QSU - DIFFUN CAMPUS, DIFFUN, QUIRINO		

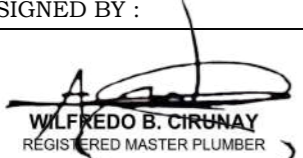


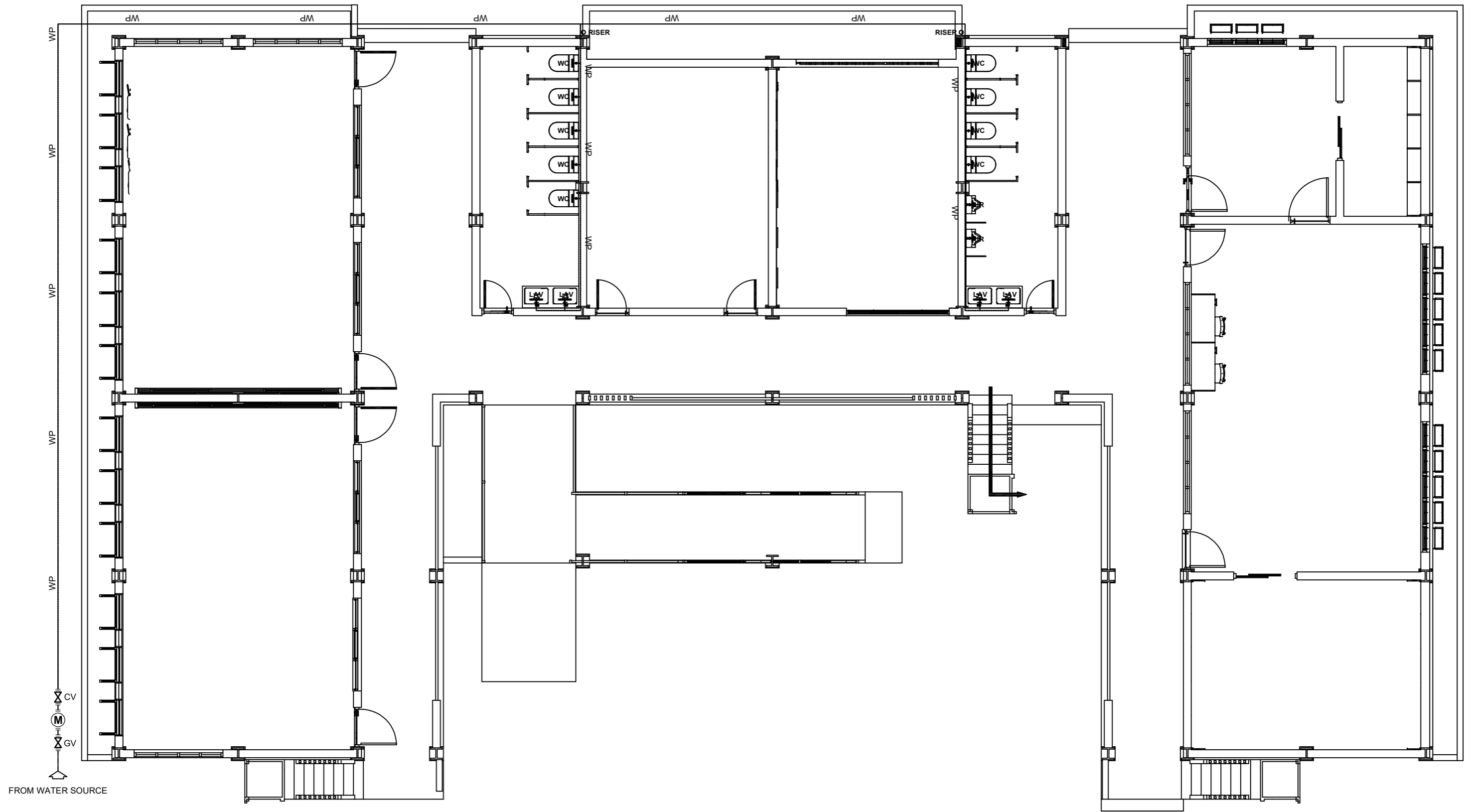
2ND & 3RD FLOOR SANITARY LAYOUT PLAN

SCALE

1:100 METERS



DESIGNED BY :  WILFREDO B. CIRUNAY REGISTERED MASTER PLUMBER <small>PRC REG NO: 0003418 DATE REG: 08/12/2015 PTR NO: 7826798 PLACE OF ISSUE: DAVAO CITY DATE OF ISSUE: 01/16/2025</small>	VERIFIED BY :	RECOMMENDING APPROVAL :	APPROVED :	PROJECT TITLE :	SHEET CONTENT :	SHEET NO. :
	END-USER	PROJECT DEVELOPMENT OFFICER III	UNIVERSITY PRESIDENT	IMPROVEMENT OF TOURISM MANAGEMENT BUILDING (FORMERLY LABORATORY HIGH SCHOOL) LOCATION : QSU - DIFFUN CAMPUS, DIFFUN, QUIRINO	AS SHOWN	2
						PLUMBING



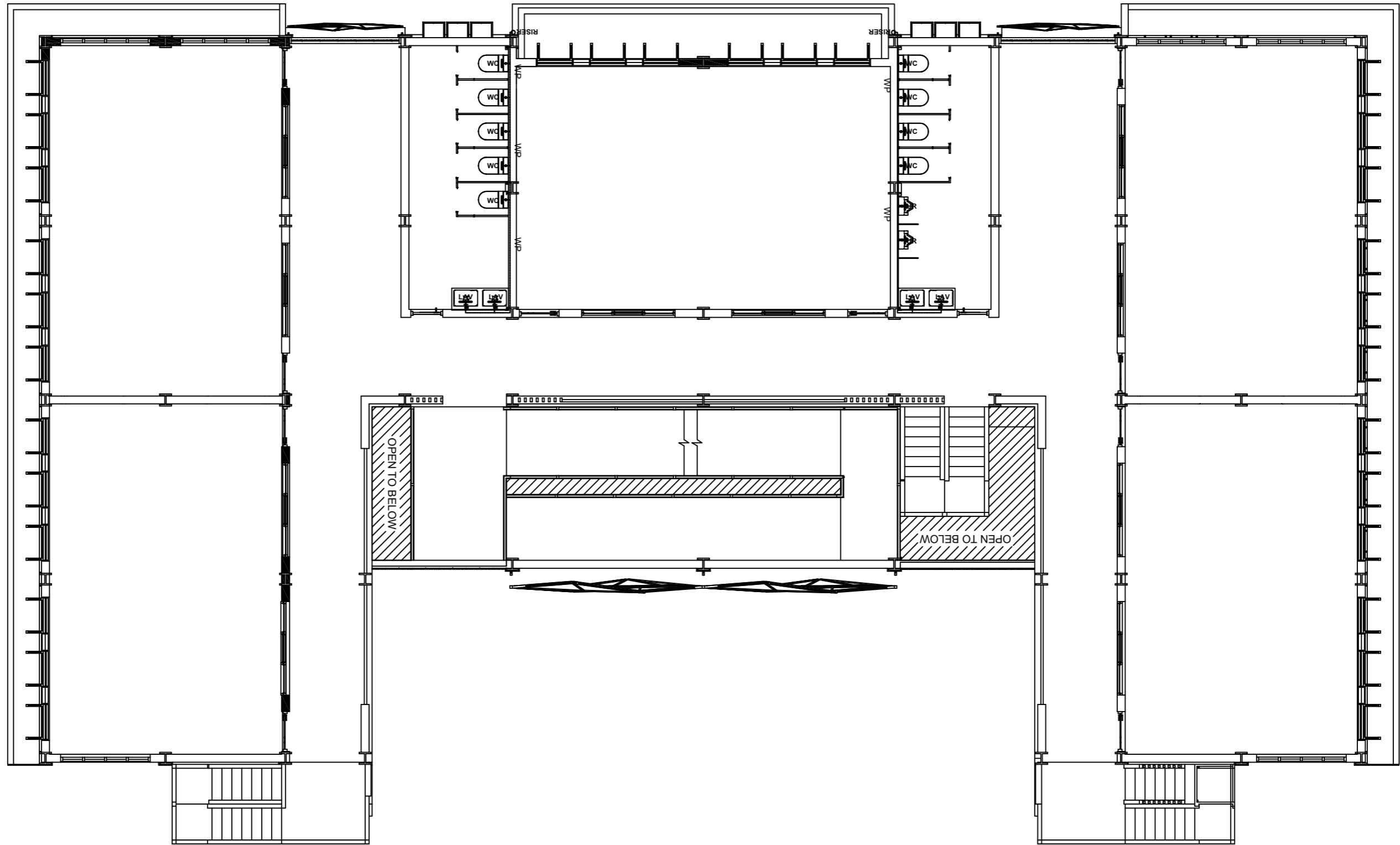
GROUND FLOOR WATER LAYOUT PLAN

SCALE

1:100 METERS




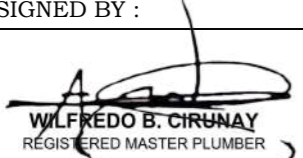
DESIGNED BY :	VERIFIED BY :	RECOMMENDING APPROVAL :	APPROVED :	PROJECT TITLE :	SHEET CONTENT :	SHEET NO. :
 WILFREDO B. CIRUNAY REGISTERED MASTER PLUMBER <small>PRC REG NO: 0003418 DATE REG: 08/12/2015 TIN:</small>				IMPROVEMENT OF TOURISM MANAGEMENT BUILDING (FORMERLY LABORATORY HIGH SCHOOL) LOCATION : QSU - DIFFUN CAMPUS, DIFFUN, QUIRINO	AS SHOWN	3
<small>PTR NO: 7876700 PLACE OF ISSUE: DAVAO CITY DATE OF ISSUE: 01/16/2025</small>	END-USER	PROJECT DEVELOPMENT OFFICER III	UNIVERSITY PRESIDENT			PLUMBING
						CONTROL NO.:

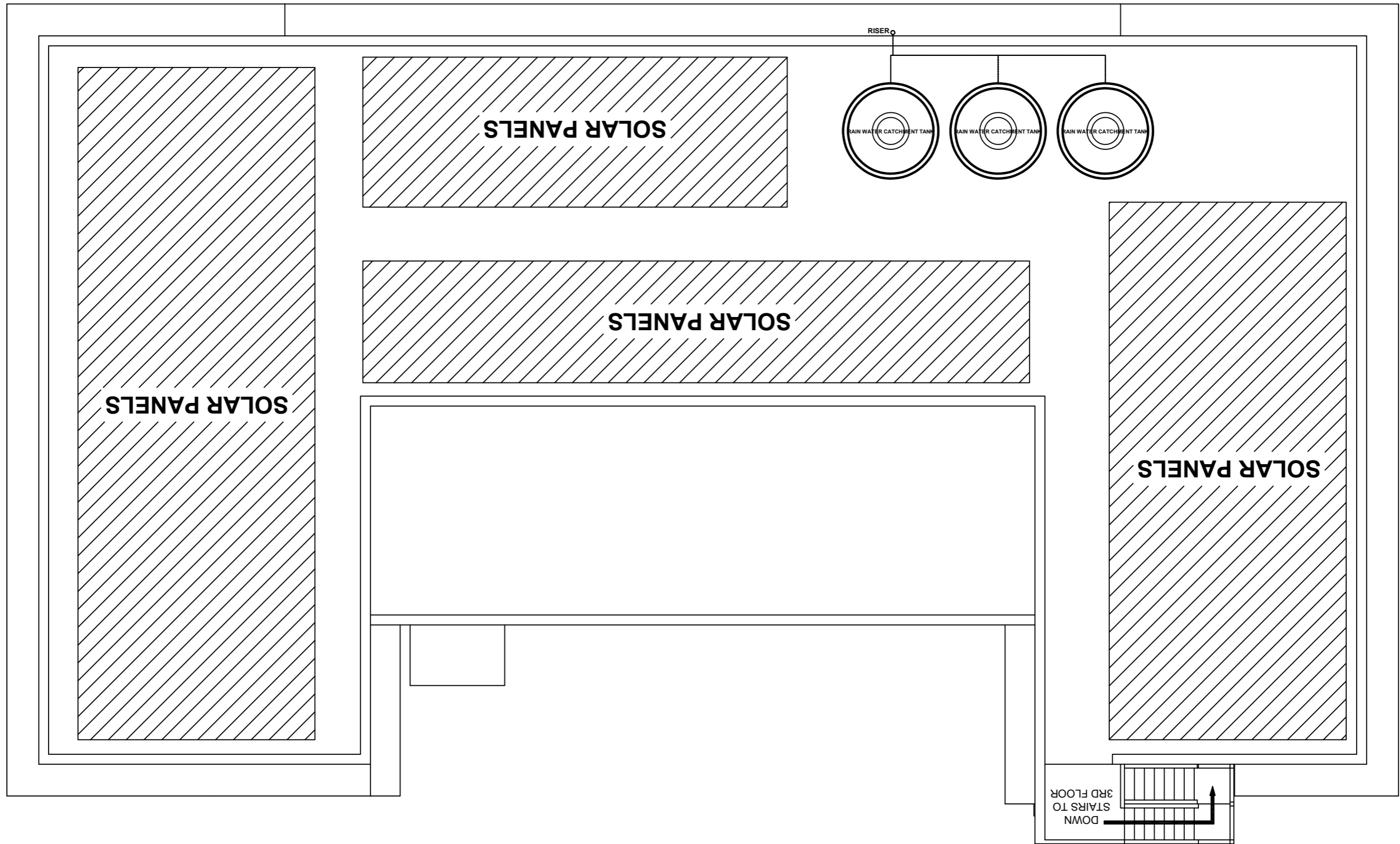


2ND AND 3RD FLOOR WATER LAYOUT PLAN

SCALE

1:100 METERS

	DESIGNED BY :	VERIFIED BY :	RECOMMENDING APPROVAL :	APPROVED :	PROJECT TITLE :	SHEET CONTENT :	SHEET NO. :	
	 WILFREDO B. CIRUNAY REGISTERED MASTER PLUMBER					IMPROVEMENT OF TOURISM MANAGEMENT BUILDING (FORMERLY LABORATORY HIGH SCHOOL)	AS SHOWN	4
	<small>PRC REG NO: 0003418 DATE REG: 08/12/2015 TIN:</small>	<small>PTR NO: 7826798 PLACE OF ISSUE: DAVAO CITY DATE OF ISSUE: 01/16/2025</small>	END-USER	PROJECT DEVELOPMENT OFFICER III	UNIVERSITY PRESIDENT	LOCATION : QSU - DIFFUN CAMPUS, DIFFUN, QUIRINO		



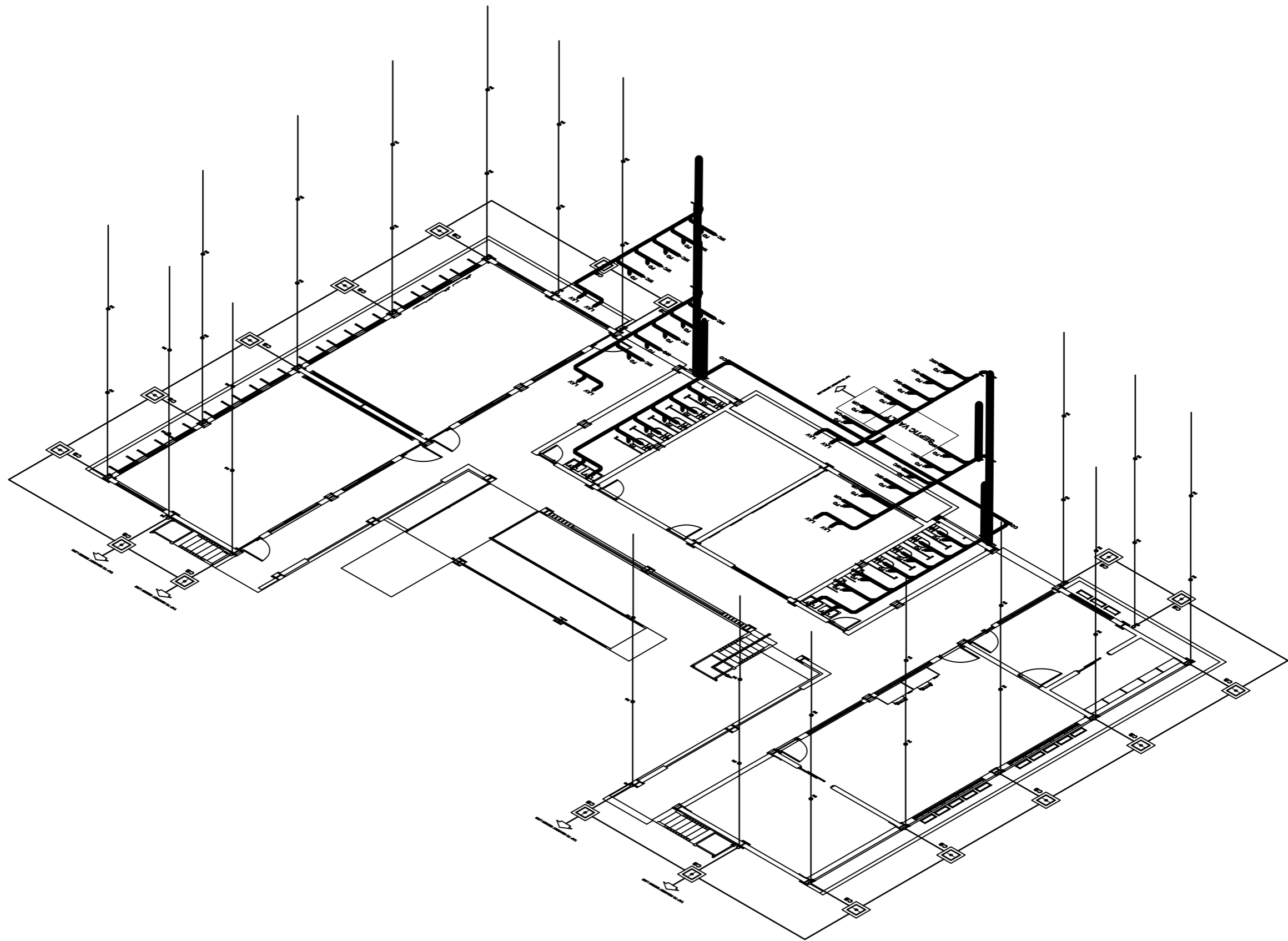
ROOF DECK WATER LAYOUT PLAN

SCALE

1:100 METERS



DESIGNED BY : WILFREDO B. CIRUNAY REGISTERED MASTER PLUMBER <small>PRC REG NO: 0003418 DATE REG: 08/12/2015 PTR NO: 1726788 PLACE OF ISSUE: DAVAO CITY DATE OF ISSUE: 01/16/2025</small>	VERIFIED BY : END-USER	RECOMMENDING APPROVAL : PROJECT DEVELOPMENT OFFICER III	APPROVED : UNIVERSITY PRESIDENT	PROJECT TITLE : IMPROVEMENT OF TOURISM MANAGEMENT BUILDING (FORMERLY LABORATORY HIGH SCHOOL)	SHEET CONTENT : AS SHOWN	SHEET NO. : 5	
				LOCATION : QSU - DIFFUN CAMPUS, DIFFUN, QUIRINO			PLUMBING
				CONTROL NO.:			

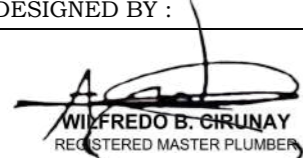


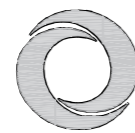
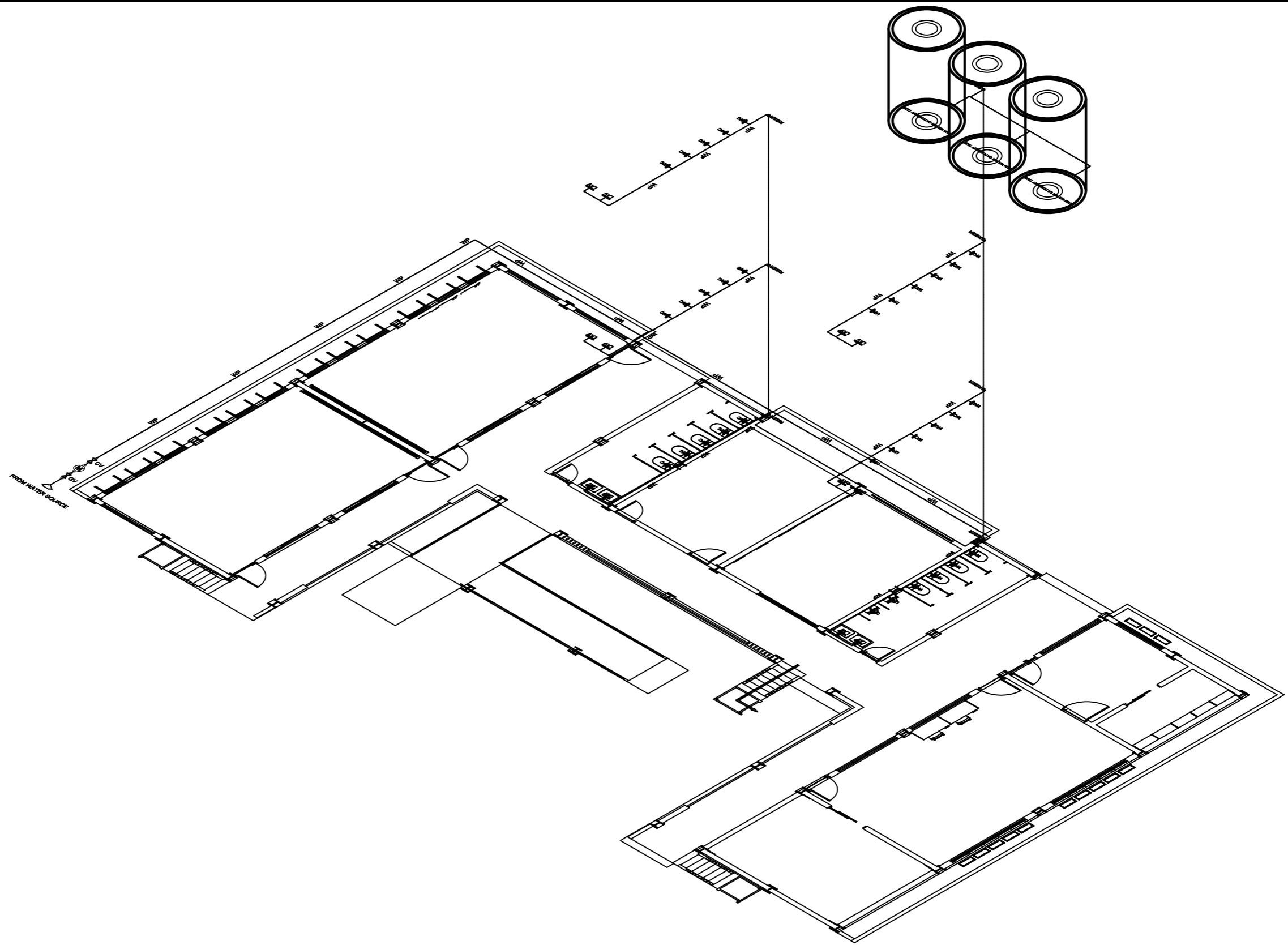
ISOMETRIC SANITARY LAYOUT PLAN

SCALE

1:100 METERS



DESIGNED BY :  WILFREDO B. CIRUNAY REGISTERED MASTER PLUMBER <small>PRC REG NO: 0003418 DATE REG: 08/12/2015 PTR NO: 7876700 PLACE OF ISSUE: DAVAO CITY DATE OF ISSUE: 01/16/2025</small>	VERIFIED BY : END-USER	RECOMMENDING APPROVAL : PROJECT DEVELOPMENT OFFICER III	APPROVED : UNIVERSITY PRESIDENT	PROJECT TITLE : IMPROVEMENT OF TOURISM MANAGEMENT BUILDING (FORMERLY LABORATORY HIGH SCHOOL)	SHEET CONTENT : AS SHOWN	SHEET NO. : 6
				LOCATION : QSU - DIFFUN CAMPUS, DIFFUN, QUIRINO		

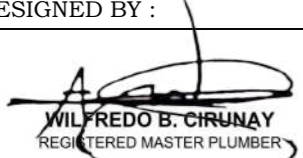


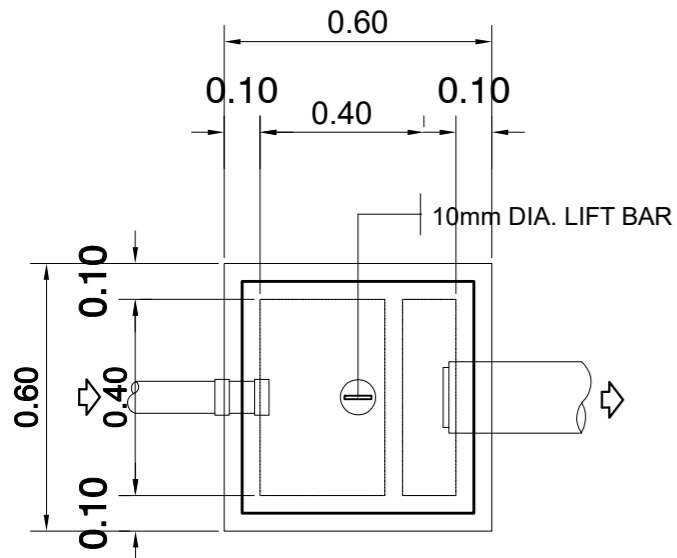
ISOMETRIC WATER DISTRIBUTION PLAN

SCALE

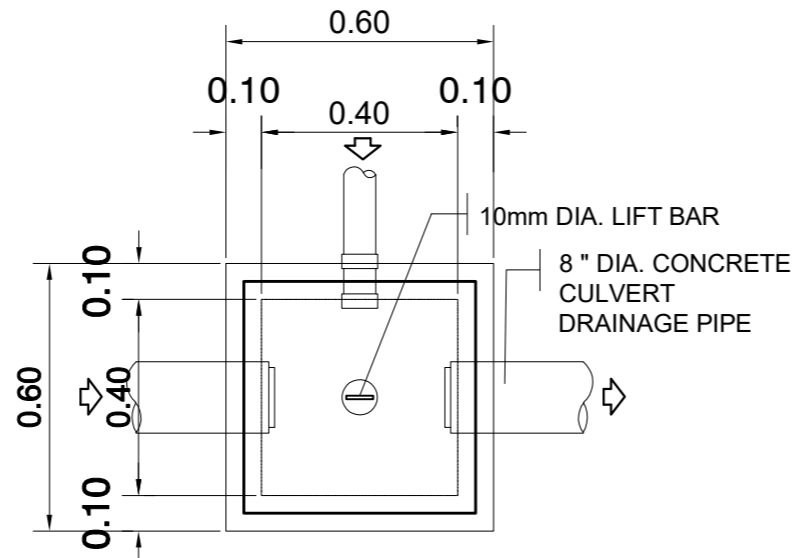
1:100 METERS



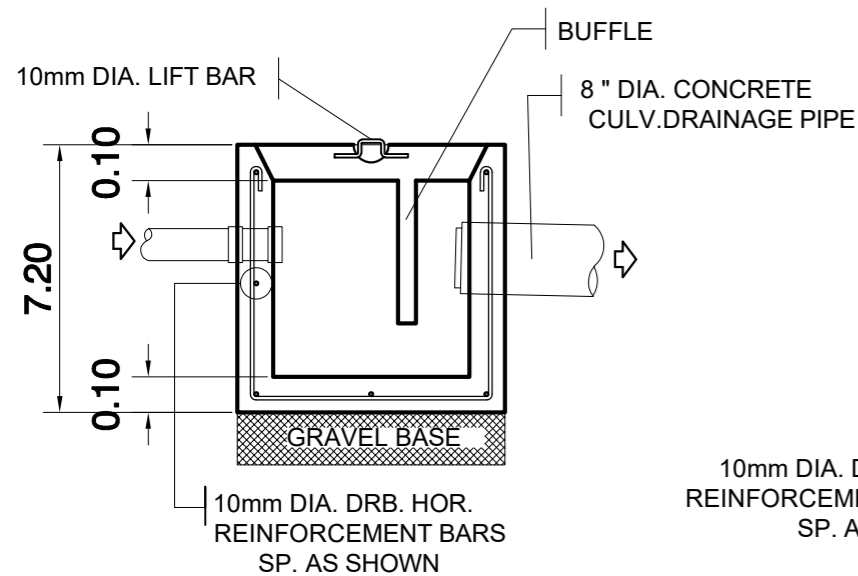
 WILFREDO B. CIRUNAY REGISTERED MASTER PLUMBER	DESIGNED BY :	VERIFIED BY :	RECOMMENDING APPROVAL :	APPROVED :	PROJECT TITLE :	SHEET CONTENT :	SHEET NO. :	
	<small>PRC REG NO: 0003418 DATE REG: 08/12/2015 TIN:</small>	<small>PTR NO: 2879700 PLACE OF ISSUE: DAVAO CITY DATE OF ISSUE: 01/16/2025</small>	END-USER	PROJECT DEVELOPMENT OFFICER III	UNIVERSITY PRESIDENT	IMPROVEMENT OF TOURISM MANAGEMENT BUILDING (FORMERLY LABORATORY HIGH SCHOOL)	AS SHOWN	7
					LOCATION :	QSU - DIFFUN CAMPUS, DIFFUN, QUIRINO		



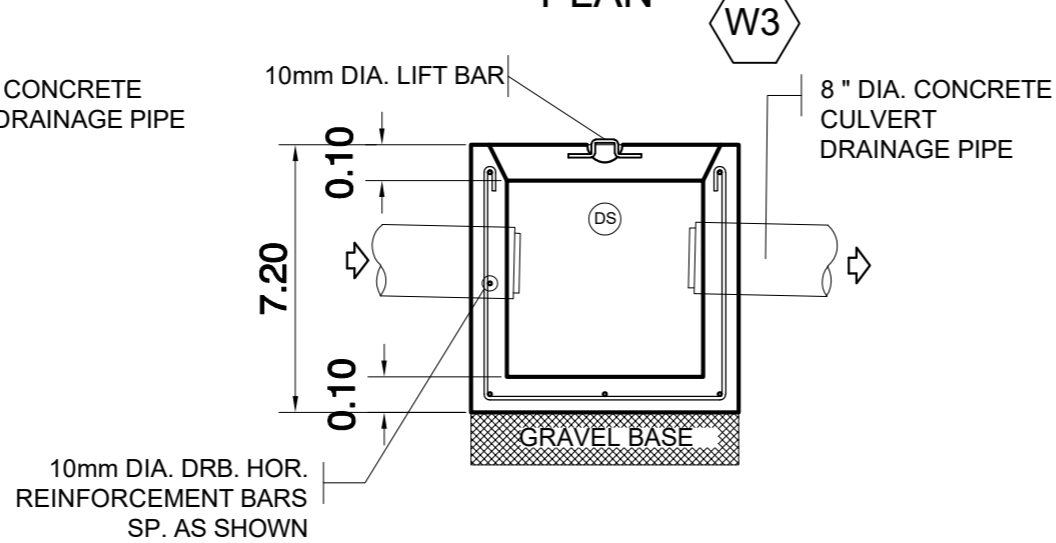
PLAN



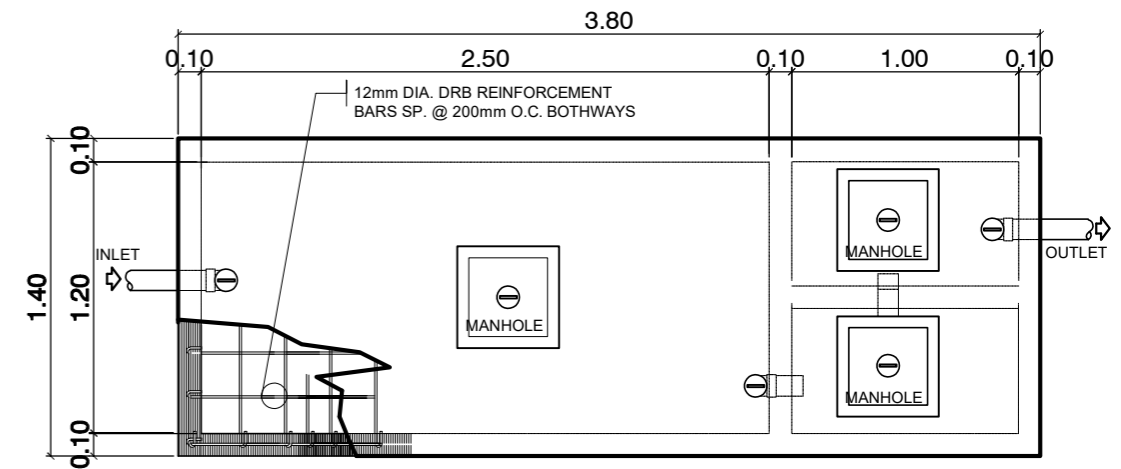
PLAN



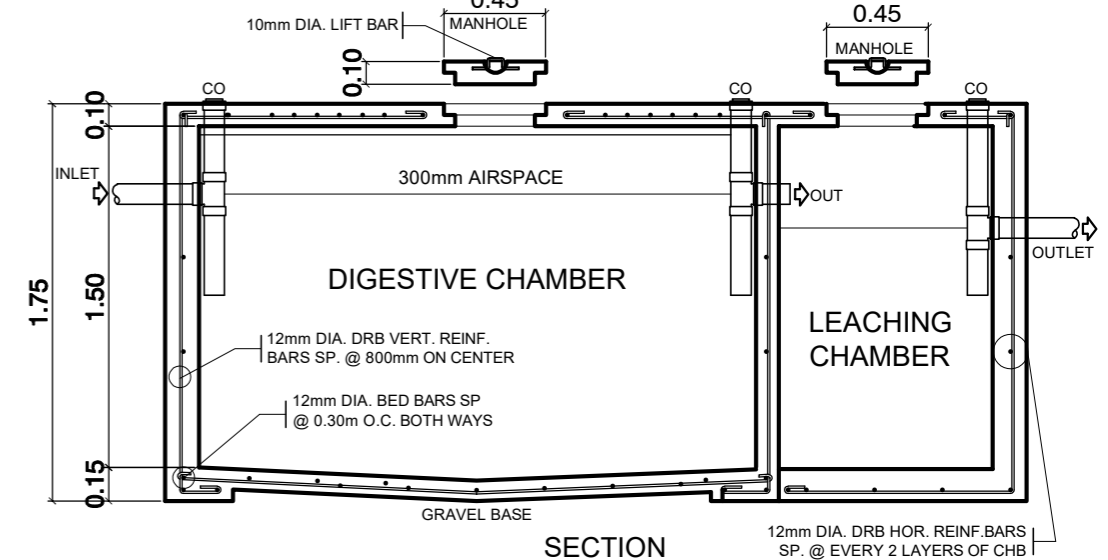
SECTION



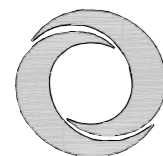
SECTION



PLAN



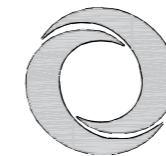
SECTION



CATCH BASIN & GREASE TRAP DETAIL

SCALE

1:25 METERS



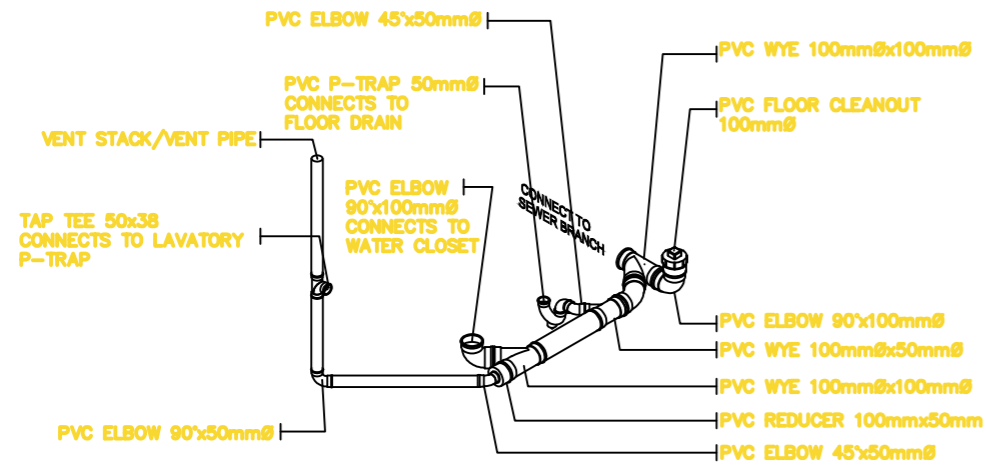
SEPTIC VAULT DETAIL

SCALE

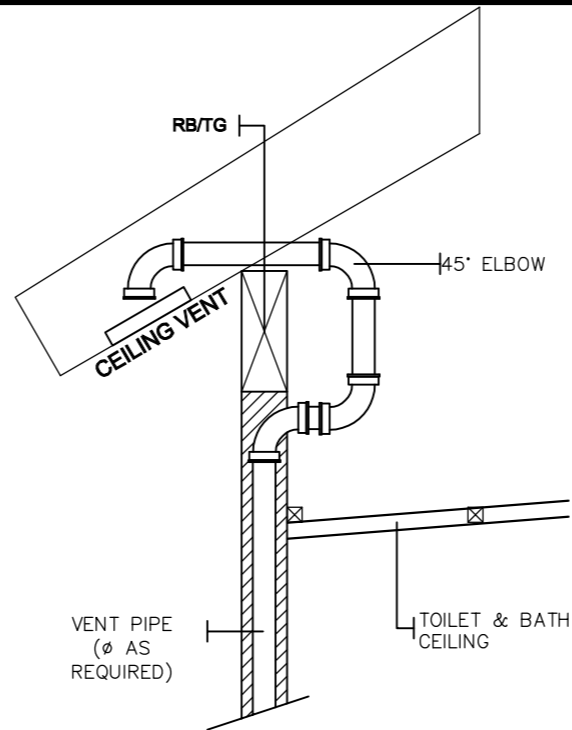
1:25 METERS



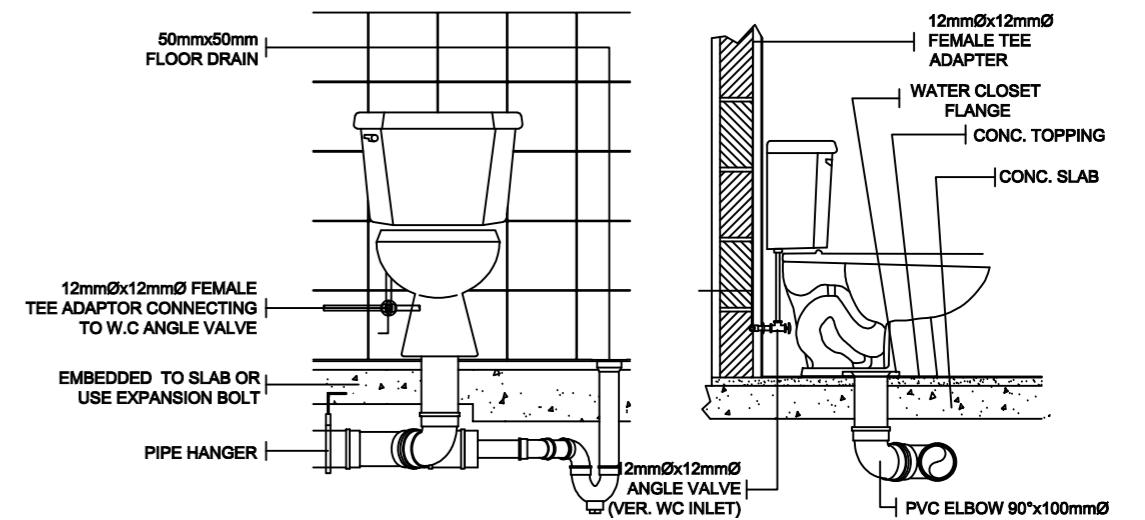
 WILFREDO B. CIRUNAY REGISTERED MASTER PLUMBER <small>PRC REG NO: 0003418 DATE REG: 08/12/2015 PTR NO: 7879700 PLACE OF ISSUE: DAVAO CITY DATE OF ISSUE: 01/16/2025</small>	DESIGNED BY :	VERIFIED BY :	RECOMMENDING APPROVAL :	APPROVED :	PROJECT TITLE :	SHEET CONTENT :	SHEET NO. :
					IMPROVEMENT OF TOURISM MANAGEMENT BUILDING (FORMERLY LABORATORY HIGH SCHOOL)	AS SHOWN	8
		END-USER	PROJECT DEVELOPMENT OFFICER III	UNIVERSITY PRESIDENT	LOCATION : QSU - DIFFUN CAMPUS, DIFFUN, QUIRINO		



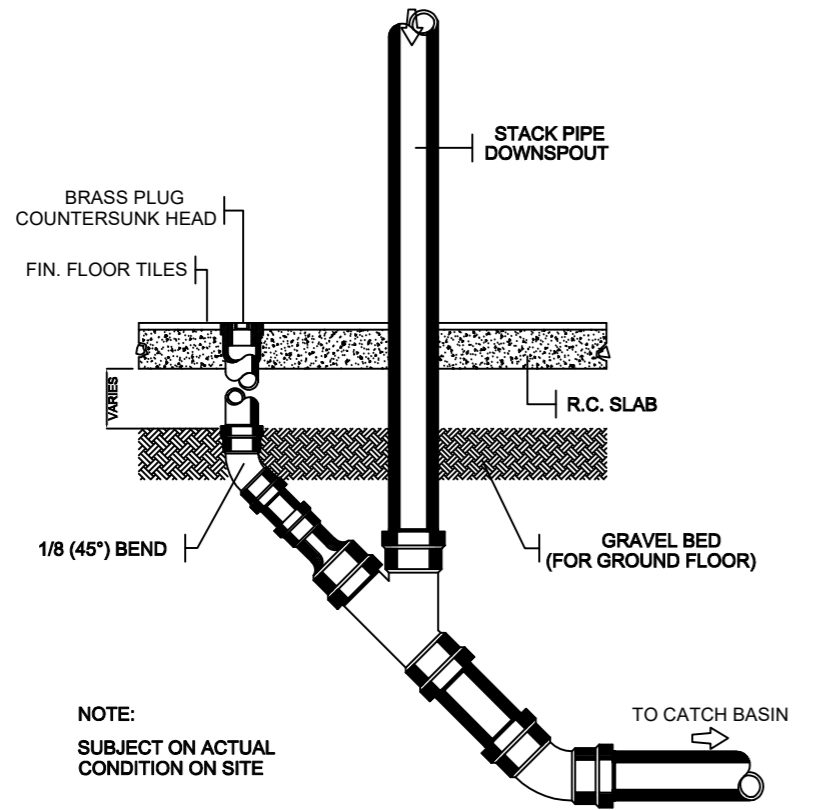
T & B SANITARY PIPING MOUNTING DET.
 SCALE D.N.T.S



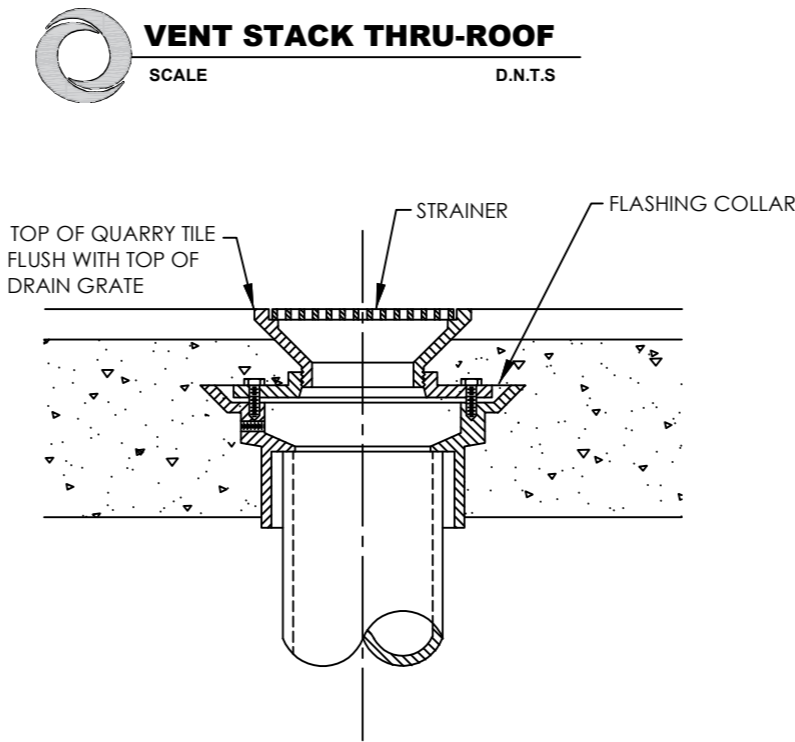
VENT STACK THRU-ROOF
 SCALE D.N.T.S



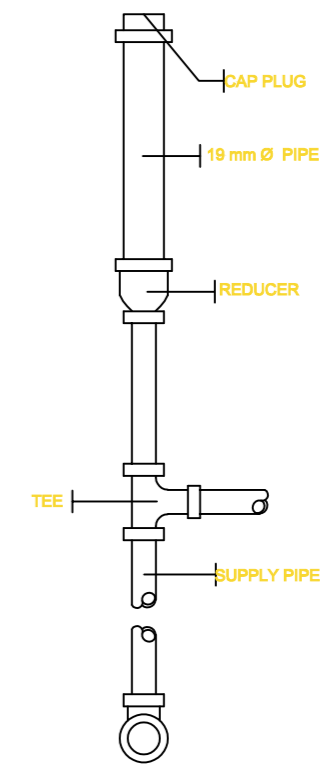
PIPING CONNECTION DETAIL
 SCALE D.N.T.S



FLR. CLEAN-OUT & STACK PIPE DET.
 SCALE D.N.T.S



FLOOR DRAIN DETAILS
 SCALE D.N.T.S



AIR CHAMBER DETAIL
 SCALE D.N.T.S

	DESIGNED BY :	VERIFIED BY :	RECOMMENDING APPROVAL :	APPROVED :	PROJECT TITLE :	SHEET CONTENT :	SHEET NO. :
	 WILFREDO B. CIRUNAY REGISTERED MASTER PLUMBER				IMPROVEMENT OF TOURISM MANAGEMENT BUILDING (FORMERLY LABORATORY HIGH SCHOOL)	AS SHOWN	9
	PRC REG NO: 0003418 DATE REG: 08/12/2015 TIN:	PTR NO: 276700 PLACE OF ISSUE: DAVAO CITY DATE OF ISSUE: 01/16/2025	END-USER	PROJECT DEVELOPMENT OFFICER III	UNIVERSITY PRESIDENT		

NOTES AND SPECIFICATIONS:

IT IS NOT INTENDED THAT THE DRAWINGS SHALL SHOW EVERY PIPE FITTING, VALVE AND APPURTENANCE. ALL SUCH ITEMS WHETHER SPECIFICALLY MENTIONED OR NOT, OR INDICATED ON THE DRAWINGS SHALL BE FURNISHED AND INSTALLED IF NECESSARY TO COMPLETE THE SYSTEM TO THE SATISFACTION OF THE OWNER.

ALL WORKS AND INSTALLATIONS SHALL CONFORM WITH THE RULES AND REGULATIONS OF THE NATIONAL PLUMBING CODE, RULES AND REGULATIONS OF THE DEPARTMENT OF PUBLIC SERVICE AND CITY ORDINANCES.

FOR WATER LINE

USE PVC PIPE "MOLDEX" BRAND 25mm DIA. FOR MAIN AND ENTRANCE PIPE 20mm DIA. FOR BRANCH AND FIXTURES PIPE.

FOR SOIL LINES


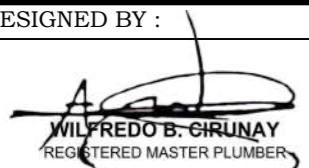
USE PVC PIPE PLASTIC PIPE 50mm DIA. FOR VENTS AND FIXTURE PIPE 100mm DIA. FOR MAIN AND WATER CLOSET.

VENT PIPES

SHALL BE POLYVINYL CHLORIDE (PVC) PIPE SERIES 1000, ALL SLOPES FOR HORIZONTAL DRAINAGE SHALL MAINTAIN 1% UNLESS OTHERWISE SPECIFIED

ALL MATERIALS TO BE USED SHALL BE BRAND NEW AND APPROVED TYPE.

ALL PLUMBING INSTALLATION SHALL BE DONE UNDER THE DIRECT SUPERVISION OF A DULY LICENSED MASTER PLUMBER.

	DESIGNED BY :	VERIFIED BY :	RECOMMENDING APPROVAL :	APPROVED :	PROJECT TITLE :	SHEET CONTENT :	SHEET NO. :	
	 WILFREDO B. CIRUNAY REGISTERED MASTER PLUMBER					IMPROVEMENT OF TOURISM MANAGEMENT BUILDING (FORMERLY LABORATORY HIGH SCHOOL)	AS SHOWN	10
	PRC REG NO: 0003418 DATE REG: 08/12/2015 TIN:	PTR NO: 7576700 PLACE OF ISSUE: DAVAO CITY DATE OF ISSUE: 01/16/2025	END-USER	PROJECT DEVELOPMENT OFFICER III	UNIVERSITY PRESIDENT	LOCATION :		PLUMBING
					QSU - DIFFUN CAMPUS, DIFFUN, QUIRINO		CONTROL NO.:	